

PERFORMANCE TRUCK - BROOKSHIRE

34211 Katy Freeway, Brookshire, Texas 77423

Phone: (281) 239-7383

BUYER'S ORDER

Date Prepared: 03-03-2022	Delivery Date: ***TBD	Salesman: Drew Vest	Branch: Brookshire
Purchaser: Fort Bend County		Telephone: 281-342-6185 Fax:	
Mailing Address: 201 Payne Lane City: Richmond State: TX Zip: 77469			County: Fort Bend
Physical Address: 201 Payne Lane City: Richmond State: TX Zip: 77469			County: Fort Bend
Description: NEW 2023 KENWORTH T880		Email Address: mike.starkey@fortbendcountytexas.gov	
Mileage:	Color: L0436 Sierra Blue	NOTE: Sales tax and license fee may apply but are not included in this quote.	
VIN: TO ORDER Comments: See attached vehicle summary, quote ID # QUO-832126-B9M5X7.			
Purchaser's Agent: Mike Starkey		Title: GM Fleet Operations	License Type: Commercial Account # FBC

LICENSE - TITLE INFORMATION

Months: 12	Tractor:	Truck: X	Trailer:	Body Type: DUMP	Color: BLU	Tons:	GCW: 54600
Apportioned:	IMC #	Combination:	Com'l: X	Token Trailer:	Gas:	Diesel: X	

INSURANCE INFORMATION

AGENCY:	SELLING PRICE*	176,938.89
NAME:	PHONE:	BUY BOARD CONTRACT 601-19
LIEN INFORMATION		400.00
NAME:	LIEN DATE:	CASH PRICE W/ACCESS.
ADDRESS:	PHONE:	177,338.89
CITY, STATE, ZIP:		TRADE IN ALLOWANCE
COMMENTS:		-
AMOUNT:	NAME:	NET CASH DIFFERENCE
		177,338.89
		FEDERAL RETAIL EXCISE TAX
		-
		NET PRICE
		177,338.89
		STATE SALES TAX
		-
		LICENSE MO. & FEE
		-

ADDITIONAL INFORMATION

This quote is for 2 units for ASAP build, FOB - Brookshire, TX.	TITLE FEE (INCLUDES \$5 TAG FEE)	5.00
*****In place of previous QUO-793176-G9K1Z0.*****	COMMERCIAL INSPECTION FEE	40.00
2023 Kenworth T880 Dump Truck	DEALER'S INVENTORY TAX	406.11
Cummins X15 EPA Engine - 450 HP / Eaton Automated Transmission - 10 Spd	DOCUMENTARY FEE**	75.00
15' Truck Fabricators Dump Bed w/ 3/16 Floor Material & Donovan Bullet Electric	EXTENDED WARRANTY	4,030.00
Tarp system primed/painted installed	SUBTOTAL	181,895.00
	BALANCE OWED ON TRADE	-
	SUBTOTAL	181,895.00
Ext Warranty for 5 yrs/100k miles on Engine, Aftertreatment & KW Basic Vehicle.	PREPAYMENT	-
***Delivery Date To Be Determined.	BALANCE DUE UPON DELIVERY	181,895.00

DISCLAIMER OF WARRANTY

Any warranties on the products sold hereby are those made by the manufacturer. The seller, CLEVELAND MACK SALES, INC., PERFORMANCE TRUCK OR PERFORMANCE TRAILER, hereby expressly disclaims all warranties, either express or implied, including any implied warranty of merchantability or fitness for a particular purpose, and CLEVELAND MACK SALES, INC., PERFORMANCE TRUCK OR PERFORMANCE TRAILER neither assumes nor authorizes any other person to assume for it any liability in connection with the sale of said products.

*** PRICE IS SUBJECT TO INDUSTRY AND ENVIRONMENTAL COST IMPACTS BEYOND THE CONTROL OF PERFORMANCE TRUCK**

** A DOCUMENTARY FEE IS NOT AN OFFICIAL FEE. A DOCUMENTARY FEE IS NOT REQUIRED BY LAW, BUT MAY BE CHARGED TO BUYERS FOR HANDLING DOCUMENTS RELATING TO THE SALE. A DOCUMENTARY FEE MAY NOT EXCEED A REASONABLE AMOUNT AGREED TO BY THE PARTIES. THIS NOTICE IS REQUIRED BY LAW.

Vehicle(s) are subject to prior sale and will not be held more than five working days.

PURCHASER _____

THIS ORDER NOT BINDING UNTIL ACCEPTED BY DEALER.

SALESPERSON _____

ACCEPTED BY _____



PERFORMANCE TRUCK - CLEVELAND (C359)
 1287 HIGHWAY 59 NORTH
 CLEVELAND, Texas 77328

FORT BEND COUNTY
 201 PAYNE LANE
 RICHMOND, Texas 77469
 United States of America

Drew Vest
 Cell Phone: 281-610-8007
 Office Phone: 713-844-7111
 Email: avest@performancetruck.com

Mike Starkey

Vehicle Summary

	Unit		Chassis	
Model:	T880 Series Conventional	Fr Axle Load (lbs):		14600
Type:	FULL TRUCK	Rr Axle Load (lbs):		40000
Description 1:	T880 Dump Trucks x2	G.C.W. (lbs):		54600
Description 2:	X15 / 10 Spd AMT			
	Application	Road Conditions:		
Intended Serv.:	Construction: Vehicles used in the	Class A (Highway)		88
	cons			
Commodity:	Asphalt.	Class B (Hwy/Mtn)		10
		Class C (Off-Hwy)		2
	Body	Class D (Off-Road)		0
Type:	End dump.	Maximum Grade:		6
Length (ft):	15	Wheelbase (in):		194
Height (ft):	13.5	Overhang (in):		62
Max Laden Weight (lbs):	5000	Fr Axle to BOC (in):		74
		Cab to Axle (in):		120
	Trailer	Cab to EOF (in):		182
No. of Trailer Axles:	0	Overall Comb. Length (in):		304.5
Type:				
Length (ft):	0			
Height (ft):	0	Special Req.		
Kingpin Inset (in):	0	U.S. Domestic registry, 50-state.		
Corner Radius (in):	0			
	Restrictions			
Length (ft):	120			
Width (in):	102			
Height (ft):	13.5			

Approved by: _____

Date: _____

Note: All sales are F.O.B. designated plant of manufacture.



Sales Code	Std/Opt	Description	Weight
Model			
0000810	S	T880 Series Conventional	15,549
0070060	S	T880	0
0072000	O	Chassis operation will not incl. stationary application. Stationary operation is defined as running the engine under load while stationary at a substantial fraction of engine gross horsepower (60% or greater) for an extended period of time (longer than 5 - 10 minutes).	0
0080075	O	Dealer/Customer declines engine w/CARB Idle Emissions Reduction Feature.	0
0090000	S	Non-Sleeper w/rear axle capacity less than 59K.	0
0098443	O	State of Registry: Texas	0
Engine & Equipment			
0130321	O	X15 450V 450@2000 1650@950 2021 with Intebrake, Productivity Series N09420 C333 0.....Reserve Speed Limit Offset (N09380 C334 0.....Maximum Cycle Distance (C334 N09360 C400 252...Reserve Speed Function Reset N09200 C399 120...Standard Maximum Speed Limit N09400 C401 10....Maximum Active Distance (C40 N09220 C402 0.....Expiration Distance (C402) N09540 C395 0.....Expiration Distance (C395) N09260 C121 64....Maximum Accelerator Pedal Ve N09440 C234 NO....Engine Protection Shutdown (N09460 C231 NO....Gear Down Protection (C231) N09580 C133 5.....Timer Setting (C133) N09680 C233 NO....Idle Shutdown Manual Ovrul N09480 C132 1400..Max PTO Speed (C132) N09300 C128 64....Maximum Cruise Speed (C128) N09500 C239 NO....Cruise Control Auto Resume (N09520 C238 NO....Auto Engine Brake in Cruise N09240 C209 120...Hard Maximum Speed Limit (C2 N09780 C190 80....High Ambient Temperature Thr N09740 C188 40....Low Ambient Temperature Thre N09760 C189 60....Intermediate Ambient Tempera N09720 C382 YES...Enable Hot Ambient Automatic N09600 C396 YES...Enable Impending Shutdown Wa N09620 C397 60....Timer For Impending Shutdown N09640 C206 35....Engine Load Threshold (C206) N09560 C225 YES...Enable Idle Shutdown Park Br	465
1000046	O	EPA Emissions Warranty Engine	0
1000151	S	PremierSpec	0



Sales Code	Std/Opt	Description	Weight
1000242	O	Gearing Analysis: Fuel Economy fuel efficiency results.	0
1000251	O	Customer's Typical Operating Spd: 60 MPH.	0
1000684	O	Effective VSL Setting NA	0
1000858	O	Engine Idle Shutdown Timer Disabled	0
1000859	O	Enable EIST Ambient Temp Overrule	0
1000891	O	Eff EIST NA Expiration Miles	0
1002080	O	Air compressor: Cummins 18.7 CFM, Naturally Aspirated for Cummins X15 engines	0
1051200	S	Air Cleaner: composite firewall mounted PACCAR or Cummins engines	0
1099080	O	Pre-cleaner mounted in the hood plenum	0
1105220	O	Fan Hub: Horton 2-Speed for X15	0
1123555	S	Cooling module: 1330 square inches. Includes aluminum radiator core, aluminum charge air cooler, translucent surge tank and washer bottle, silicone hoses, and extended life coolant.	0
1160208	O	Radiator bug screen mounted between hood & grille.	2
1247234	S	EXH: 2021 RH Under DPF/SCR with RH SOC Vertical tailpipe. Not 2.1m high roof sleepers	0
1290124	O	Tailpipe: 5 in. single 24 in. 45 degree curved.	-3
1321109	O	Fuel Filter:PACCAR Standard Service Interval Fuel/Water Separator. 2017 and Later Emissions	0
1321205	S	Run Aid:Fuel Heat *For Fuel Filter	0
1321300	O	Start Aid:None *For Fuel Filter	0
1500029	O	Kenworth Fuel Cooler Required for Cummins engines with a single fuel tank. Required for PACCAR MX-13 engine with a single fuel tank and stationary use: High RPM, low vehicle speed, sustained for longer than 1 hour. Optional for all other applications.	6
1816260	O	Alternator: PACCAR 160 amp, brush type	0
1821225	O	Batteries: 2 PACCAR GP31 threaded post (1000) 2000 CCA starting.	-59
1836106	O	Mitsubishi 105P55 12V Starter with Cummins and PX PACCAR 12 volt electrical system. W/ centralized power distribution incorporating plug-in style relays. Circuit protection for serviceability, 12-volt light system w/circuit protection circuits number & color coded. Only for Cummins or PX engines.	0

Price Level: January 1, 2022

Deal: T880 Dump Trucks x2

Printed On: 3/3/2022 2:01:01 PM

Date: March 03, 2022

Quote Number: QUO-832126-B9M5X7



Sales Code	Std/Opt	Description	Weight
1840005	O	Battery disconnect switches 2, mounted on battery box.	2
1840065	S	12V low voltage disconnect for starter battery protection.	0
1900996	O	Jump start terminals under hood.	12
1901017	S	Remote PTO/Throttle, 12-Pin, Engine Bay Remote Control Provision	0

Transmission & Clutch

2038253	O	Eaton AMT LSM Package - Vocational Config Low Speed Maneuverability, Rev=Blended Pedal, Drive=Urge to Move, Manual=Standard, Low=Blended Pedal Eaton AMT Low Speed Maneuverability parameters to utilize various Eaton low speed functions depending on transmission shift selection (Reverse, Drive, Manual, Low). Eaton service tool can be utilized to reconfigure parameters individually if customer desires something other than typical Linehaul or Vocational package options.	0
2050008	O	Neutral Coast Mode Cruise Only Eaton Automated Transmission Programming.	0
2058437	O	Fuller Advantage Automated FAO-16810C-EA3 10Speed No Cooler w/ HSA *Use w/ 2250385 Only.	198
2250385	O	Clutch:UltraShift Plus Or Fuller Advantage Series Automated transmissions.	0
2405405	O	Driveline: 2 Dana 1810 heavy-duty 1 centerbearing *Heavy duty is 1810HD series.	68
2429351	O	First Transmission PTO compatibility - Chelsea 230/236/238/442/489/660/680-V3 or Muncie CS8/SH8/TG8S-P1 bottom mounted 6 or 8-Bolt PTO's for all Eaton & PACCAR transmissions. This application includes use of the standard hydraulic clutch actuator on Eaton FR & RT transmissions and supports bottom mounted 6 and 8-Bolt PTO's with single acting air actuation.	0
2429358	O	Rear transmission support springs for transmission PTO applications are required to ensure that engine flywheel housings are not overloaded when transmission PTO's are installed.	0
2429361	O	First Customer Installed Eaton/PACCAR Trans PTO.	0
2493009	O	Aluminum clutch housing	0

Front Axle & Equipment

2503473	O	Dana Spicer D-1461W Front Axle rated 14.6K 3-1/2in. drop, wide track for use with air disc brake only.	-87
2647003	O	Front Brakes: 14.6K Meritor EX+L Optimized air disc brakes.	0
2690042	O	U-Shaped rotor for Meritor air disc brakes.	0
2702500	O	Front Hub: iron hub pilot 14,600 lbs. 11-1/4 in. bolt circle. For use w/ air disc brakes. Consider wheelguards (5850002) w/ aluminum wheels.	48

Price Level: January 1, 2022

Deal: T880 Dump Trucks x2

Printed On: 3/3/2022 2:01:01 PM

Date: March 03, 2022

Quote Number: QUO-832126-B9M5X7



Sales Code	Std/Opt	Description	Weight
2741970	S	ConMet PreSet Plus Hub package; front axle.	0
2750001	S	Hubcap: front vented.	0
2769000	S	Slack Adjusters included w/ front axle or brake. Also use w/ disc brakes.	0
2864019	O	Front Springs: Taperleaf 14.6K w/shock absorbers 2-leaf. With maintenance-free elastomer spring pin bushings. Standard with rubber pins. Not available on W900L or W900S.	-101
2895101	O	Single power steering gear: 16K Sheppard SD110.	-64
2899341	O	Delete standard power steering cooler.	-11
Rear Axle & Equipment			
3122247	O	Dual Meritor MT40-14x4 Hypoid rear axle rated at 40K, with heavy-wall housing. Tandem rear axles.	-411
3200370	O	Rear Axle Ratio - 3.70.	0
3354007	O	Dual Rear Brakes 16-1/2x7 in. to 46K; Meritor Q- plus-extended service S-cam.	16
3392005	S	Dual Rear Brake Drums: cast.	0
3407050	S	Dual Rear Hubs: Aluminum hub pilot 46K 11-1/4 in. bolt circle.	0
3441972	S	ConMet PreSet Plus Hub package; dual rear axle.	0
3465002	S	Dual Rear axle automatic slack adjusters.	0
3485207	S	Spring Brake: 3030 long stroke dual 30 square inches travel. Helps keep brakes in adjustment longer.	0
3495228	O	Bendix 4S/4M anti-lock brake system w/ air traction control (ATC).	2
3500037	O	Interaxle driveline:1 Dana 1710 Series	-12
3736418	O	Rear suspension: Tandem Reyco 102 40K. 4-spring multileaf & 52 in. axle spacing. Steel crossmembers & gussets. Unladen Height: 10.8 in. Laden Height: 9.2 in.	116
3830145	O	Delete standard heavy-duty air springs for rear suspension.	-28
Tires & Wheels			
4038677	O	Front tires: Goodyear G291 315/80R22.5 18PR. 42.3 in. diameter, all position. 19.7 in. SLR.	162
4277493	O	Rear tires: Bridgestone M770 11R24.5 14PR. 44.2 in. diameter, all position. 20.6 in. SLR. Code is priced per pair of tires.	208
4900008	O	Rear Tire Quantity: 8	0
5045283	O	Front Wheel: Kenworth 7-spoke 88U68	-40

Price Level: January 1, 2022

Deal: T880 Dump Trucks x2

Printed On: 3/3/2022 2:01:01 PM

Date: March 03, 2022

Quote Number: QUO-832126-B9M5X7



Sales Code	Std/Opt	Description	Weight
		22.5x8.25 aluminum with Ultra One high polish finish, hub-pilot mount. 7300lb. maximum rating. Level 1 finish. Air disc brake compatible.	
5244193	O	Rear Wheel: Kenworth 7-spoke 98U68	-84
		24.5x8.25 aluminum with Ultra One High Polish finish, hub-pilot mount. 7300lb. maximum rating. Air disc brake compatible. Code is priced per pair of wheels.	
5900008	O	Rear Wheel/Rim Quantity: 8	0

Frame & Equipment

6054400	O	Frame Rails: 10-5/8 x 3-1/2 x 5/16 in. Steel to 285 in. to 336 in. Truck frame weight is 2.91 lb.-in. per pair of rails. Section modulus is 14.80, RBM is 1,776,000 in-lbs per rail. Frame rail availability may be restricted based upon application, axle/suspension capacity, fifth wheel setting, or component/dimensional specifications. The results of the engineering review may result in a change to the requested frame rail. If a change is required Kenworth Application Engineering will advise the dealer of the appropriate material specification for a substitute rail.	102
6302361	O	Bumper: Tapered polished aluminum channel. Requires a bumper setting code.	-6
6319485	S	48.5 in. Bumper setting. Requires a bumper code.	0
6324025	O	Front tow hook: Center mounted, cast. Requires iron front drive brackets.	28
6390312	O	Brackets: Iron front spring drive. Included with front spring capacity of 16,000 lbs or greater; code not required.	47
6400636	O	Battery box cantilever aluminum BOC with fiberglass cover.	8
6409902	O	Battery box location: RH Side.	15
6451090	S	T470,C5, T6, T8 non-polished DPF/SCR or CNG cover diamond plate w/ step. For use w/ 2010 or later exhaust systems. For T8, use extended length non-polished battery box on opposite rail to match the length of under cab components. End plates will be painted standard black frame color.	0
6679856	O	Final end-of-frame cut-off dimension will be modified to less than or equal to 45 in.	0
6721102	S	Rear mudflap arms: Betts B-25 standard-duty, straight. Includes B1732 mounting brackets as standard.	0
6722000	S	Rear mudflap shields: White plastic antisail w/ Kenworth logo.	0
6734005	O	Quarter Fenders: Stainless Steel w/ Painted Steel brackets, single post mounted.	55
6742009	S	Square end-of-frame w/o crossmember; non-towing.	0

Fuel Tanks & Equip

7210090	O	Fuel Tank: 90 US gallon 24.5in. aluminum under replace. Class 8 fuel tanks w/o locking caps include an anti-siphon device on the filler neck.	-4
---------	---	---	----

Price Level: January 1, 2022

Deal: T880 Dump Trucks x2

Printed On: 3/3/2022 2:01:01 PM

Date: March 03, 2022

Quote Number: QUO-832126-B9M5X7



Sales Code	Std/Opt	Description	Weight
7722153	S	Small round DEF tank, 14 gallons. The DEF tank will be located on the side you specified. If you have specific configuration or body builder concerns, please utilize the Custom Frame Layout option. Standard capacity is calculated by fuel capacity of the vehicle and will accommodate two diesel fill-ups for every DEF fill-up. For 1:1 DEF fuel fill ratio, add 7889204.	0
7831008	O	6 in. wide lower fuel tank step, for one 22 in. or 24.5 in. tank LH.	2
7889203	S	DEF to fuel fill ratio 2:1 or greater.	0
7889245	S	Anti-siphon device in fuel tank filler neck. For any number of fuel tanks.	0
7889604	S	DEF tank location is LH.	0
7920090	O	Location: 90 gal fuel tank LH under cab	0
Cab & Equipment			
8025301	S	Cab: Stamped aluminum cab with panoramic curved glass windshield. Standard with stamped aluminum doors, heavy duty in-swinging hinges, and triple sealed doors. Manufactured using self-piercing rivets and structural adhesive. Includes LED exterior marker lights and turn signals.	0
8090604	O	Hood: T880 Standard Length With Mechanically Fastened Fenders. 122.6 inch BBC.	15
8108002	O	Fine particulate filter for cabin air HVAC system. To provide extra filtration in high dust applications. Cabin airflow is reduced with this additional filter. *Cannot be used with code 8108003.	0
8108011	S	Cab HVAC - Day Cab and 40in Sleeper System With Defrost, A/C, and 48,000 BTU/hr Heater. Includes automatic temperature control with one touch defrost operation and dash mounted cab temperature and solar intensity sensors. Pleated fresh air filter and cabin recirculation air filter standard. The Kenworth HVAC system is designed to provide optimal heating and cooling in all operating environments without need for additional insulation. Cab HVAC without sleeper heater AC is available with 40in sleeper.	0
8201047	S	Kenworth Smartwheel: 18 in. Non-Leather With Integrated Radio and Cruise Controls.	0
8201052	S	Column Mtd TMSN Control W/Retarder Cntrl, RH Side Use with Automated and Automated Manual Transmissions Only	0
8201200	S	Adjustable telescoping tilt steering column.	0
8203060	O	5 sets of keys. Replaces standard 2 sets of keys.	0
8203191	O	Key Lock: Customer Specified Tumbler Part Number Includes ignition, cab doors and if applicable, sleeper tool box door. G key will not work on new P lock and ignition <i>Narr P0444</i>	0
8205164	O	Dash Switch: 1st Single-Acting Eaton or PACCAR	0

Price Level: January 1, 2022

Deal: T880 Dump Trucks x2

Printed On: 3/3/2022 2:01:01 PM

Date: March 03, 2022

Quote Number: QUO-832126-B9M5X7



Sales Code	Std/Opt	Description	Weight
		Mounted PTO. Electric switch, wiring, software, air solenoids, and plumbing are factory-installed to control the 1st Eaton (single-acting) trans PTO.	
8208495	O	Two spare switches: Wired to power.	0
8208602	O	Dash Switch: W/light & guard for truck dump gate. Includes approximately 3 meters of coiled wire BOC in LH rail.	0
8210444	U	Custom key code: 7-pin (P0444) <i>Narr Custom key code: 7-pin (P0444)</i>	0
8221160	O	Gauge: Engine Oil Temperature Gauge With Integral warning light. The NavPlus HD unit includes a virtual engine oil temperature gauge.	0
8222404	S	Gauge: DD Virtual Gauge - Oil Temp Engine	0
8222413	S	Gauge: DD Virtual Gauge - Manifold Pressure Boost	0
8222414	S	Gauge: DD Virtual Gauge - Engine Percent Torque	0
8222712	O	Gauge: Fuel filter restriction gauge.	0
8222722	O	Gauge: Manifold Pressure Gauge. The NavPlus HD unit includes a virtual manifold pressure gauge.	0
8225658	O	Gauge: Axle oil temperature, dual-drive axle. (2 gauges) w/integral warning light.	0
8226667	O	Gauge: Oil Temperature Gauge Transmission. The NavPlus HD unit includes a virtual transmission oil temperature gauge.	0
8282027	S	Main Instrument Package: 15" Digital Display. Includes Speedometer, Tachometer, Primary Air Pressure, Secondary Air Pressure, Fuel Level #1, DEF Level, DPF Filter Status, Fuel Economy, Oil Pressure, Coolant Temp, OAT and Voltmeter, and Air Application.	0
8282108	O	Modular Dash Options: Dash storage unit with two shelves. Reduces total gauge count by 6.	0
8300008	S	Interior color: Slate Gray	0
8330102	S	Interior package: Vantage daycab Includes durable headliner and vinyl sidewalls with geometric patterned trim and anodized aluminum accents throughout. Convenient overhead storage cubbies, full size glove box, two center console cupholders, and large door pad map pocket. Standard LH/RH power windows, electric door locks, interior LED lighting, nighttime-friendly red ambient lighting for dash and footwell, and door mounted courtesy light. Includes two standard 12V power outlets. Driver sunvisor includes strap.	0
8390634	S	Rubber floormat	0
8410200	O	Driver Seat: GT701 HB with Vinyl material. The GT701 is standard with a single air bag, scissor linkage seat suspension. It includes a single chamber lumbar support, 10in Fore/Aft	0

Price Level: January 1, 2022

Deal: T880 Dump Trucks x2

Printed On: 3/3/2022 2:01:01 PM

Date: March 03, 2022

Quote Number: QUO-832126-B9M5X7



Sales Code	Std/Opt	Description	Weight
		adjustment, 7in Up/Down adjustment, 2.5in pan extension, 51 degree seat back recline, and 16 degree full seat tilt. Includes 3-point matching seat belts. DR seat standard w/ dual armrests.	
8480103	O	Rider Seat: GT100 Toolbox IB with Vinyl Material. The GT100 seats are standard with fixed base. Includes 3-point matching seat belts. Rider seat standard w/ LH armrest.	0
8490181	S	Seat Color: Black	0
8496559	O	Driver and Rider Seat Belts: Orange Seat Belts. Replacing standard color.	0
8601432	O	Kenworth Radio DEA710 AM/FM/WB/USB, Bluetooth	0
8698974	S	Base Level Audio System - Daycab:High Performance Door Speakers.	0
8700197	S	Turn Signal: Non-Self Cancelling	0
8700283	S	LH and RH Trip Ledge Rain Deflectors	0
8700663	S	Kenworth TruckTech+ The Kenworth Remote Diagnostics system provides the Worlds Best reporting of engine and aftertreatment fault codes, as well as enhanced support for the truck owner through rapid communication of fault severity and recommended actions. This option is Standard on all Heavy Duty Kenworths with a PACCAR MX engine, Cummins X15 engine, PX engine or Natural Gas engine. Optional on Medium Duty Kenworths.	0
8800382	O	Grabhandle: LH SOC Non-Slip Ergonomic Grab Handle Mounted To The Left Hand Exterior Of The Cab For Entry and Exit. NFPA Compliant.	3
8800402	S	Dual Cab Interior Grabhandles: A Pillar Mounted Dash Wrap and B Pillar Mounted Grabhandles	0
8832113	S	Kenworth Daylite Door with standard LH/RH electric door locks and LH/RH electric window controls.	0
8841411	S	Single air horn under cab.	0
8850139	S	Look-Down, Pass. Door, Black 11x6	0
8865002	S	Aero Mirror: Dual Kenworth Aerodynamic Motorized heated mirrors, 7in X 13in with cab color mirror shell and black mirror arms. Also includes LH/RH heated 6in X 7in convex mirrors. Mirror brackets set for 8-1/2 ft load width. Mirror controls located on driver side door pad.	0
8871446	S	Rear cab stationary window 19in x 36in	0
8890101	S	One-piece bonded-in windshield with curved glass. Standard.	0
8890349	S	Wheelwell Fender Extension: 2.5 Inches	0
8890876	S	Kenworth Cab/Sleeper Air Suspension.	0



Sales Code	Std/Opt	Description	Weight
Lights & Instruments			
9010553	S	Headlamps: SAE Dual Halogen Complex Reflector	0
9022137	S	Marker Lights: Five, rectangular, LED	0
9030016	O	Turn Signal Lights: Flush mounted LED. Mounted at top of fender wheel arc.	0
9030052	S	LED Stop, Turn, Tail: With Two LED Backup Lights and With An LED License Plate.	0
9090027	O	Headlamps to turn on when wipers are active.	0
9090039	S	Marker Lights: Interrupter Switch. Included in Turn Signal For All Models Except T3. The T3 Switch Is In The Dash.	0
9090052	O	Brake Lights on when Engine Brake Active. Can only be selected when chassis also has engine brake. Cannot be used with options to delete engine brake.	0
9090126	O	Electric Backup Alarm: Meets SAE J994 & OSHA requirements.	4
9090316	O	Junction Box: End of Frame	1
9090849	O	Polyswitches replacing fuses. Switch will automatically reset after removal of excess load.	0
Air Equipment			
9101218	S	Air Dryer: Bendix AD-HF Puraguard Heated	0
9108001	S	Moisture ejection valve w/ pull cable drain.	0
9140020	S	Nylon air tubing in frame & cab, excluding hoses subject to excessive heat or flexing.	0
Extended Warranty			
9200021	S	Base Warranty - Standard Service Heavy Duty 12 months / 100,000 miles / 160,000 km.	0
9202808	O	EW: US Basic Vehicle 5 year/100,000 miles, United States only.	0
9207937	O	Cummins EW: Protect Plan 1 X15 EPA21 5 Year/100,000 mi (160,935 km), Efficiency/Productivity Series. Each code registered between 366 and 546 days after the vehicles in-service date will be subject to a \$400 late fee. Coverage cannot be added after 200,000 miles or 545 days past the in-service date.	0
9207994	O	Cummins EW: Aftertreatment X15 Use W/ PP1 EPA21 5 Year/100,000 mi (160,935 km), Efficiency/Productivity Series. Each code registered between 366 and 546 days after the vehicles in-service date will be subject to a \$400 late fee. Coverage cannot be added after 200,000 miles or 545 days past the in-service date.	0
9212611	O	24 Month TruckTech+ Subscription for Cummins	0



Sales Code	Std/Opt	Description	Weight
Engines			
9220001	O	Base Warranty: Emissions 5YR/100K MI - EPA Engine (Does not include CARB Clean Idle sticker)	0
Miscellaneous			
9409852	O	GHG Secondary Manufacturer: Does Not Apply	0
9490206	O	Warning triangle reflector kit: Shipped loose. Kit consists of 3 triangles in plastic carrying case. Not floor mounted.	4
9490404	O	One 5 lb. dry chemical type fire extinguisher mounted outboard of driver seat. Class ABC.	11
9491659	S	VMUX Architecture	0
Promotions			
Paint			
9700000	O	Paint color number(s). N9702 A - L0436 SIERRA BLUE N9720 FRAME N0001 BLACK	0
9943004	O	Bumper Unpainted	0
9943050	O	Day Cab Standard Paint	0
9944820	S	1 - Color Paint - Day Cab Color will be White if no other color is specified.	0
9965510	S	Base coat/clear coat. The Kenworth Color Selector contains additional instructions, as well as information on Kenworth paint guidelines and surface finish applications. Kenworth is standard with Dupont Imron Elite paint.	0

Order Comments



Total Weight

16,239

Prices and Specifications Subject to Change Without Notice.

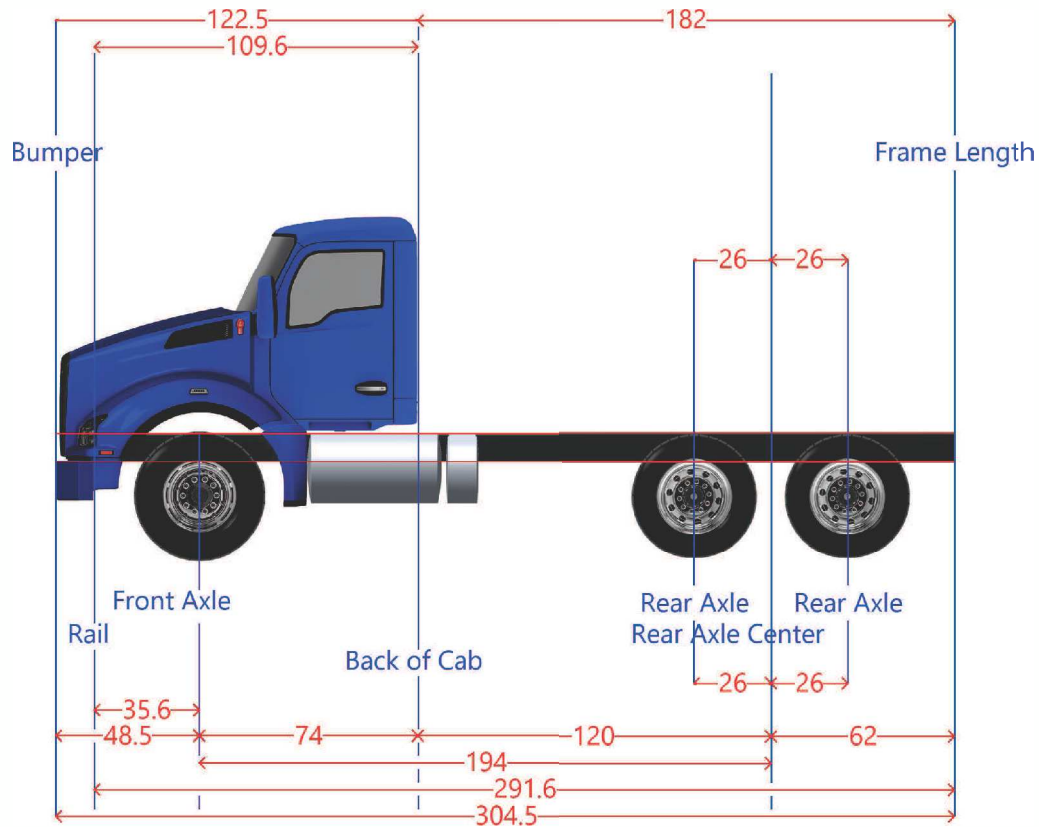
Unpublished options may require review/approval.

Dimensional and performance data for unpublished options may vary from that displayed in CRM.

PRICING DISCLAIMER

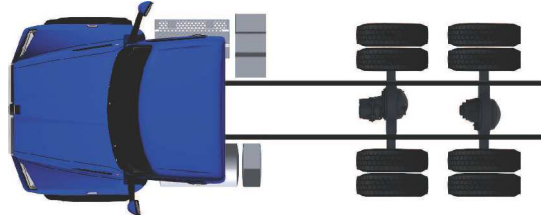
While we make every effort to maintain the web site to preserve pricing accuracy, prices are subject to change without notice. Although the information in this price list is presented in good faith and believed to be correct at the time of printing, we make no representations or warranties as to the completeness or accuracy of this information. We reserve the right to change, delete or otherwise modify the pricing information which is represented herein without any prior notice. We carefully check pricing specifications, but occasionally errors can occur, therefore we reserve the right to change such prices without notice. We disclaim all liability for any errors or omissions in the materials. In no event will we be responsible for any damages of any nature whatsoever from the reliance upon information from these materials. Please check your order prebills to confirm your pricing information

HORIZONTAL DIMENSIONS



Dimension	Measurement	Start	End
Axle Spacing	52	168	220
Bumper to Back of Cab	122.5	-48.5	74
Bumper to Front Axle	48.5	-48.5	0
Bumper to Front Frame	12.9	-48.5	-35.6
Cab to End of Frame	182.0	74	256
Cab to Rear Axle	120.0	74	194
Effective Bumper to Back Of Cab	122.5	-48.5	74
Frame Length	291.6	-35.6	256
Front Axle to Back of Cab	74.0	0	74
Front of Frame to Axle	35.6	-35.6	0
Load Space	182.0	74	256
Overall Length	304.5	-48.5	256
Overhang	62.0	194	256
Pusher Offset #1	26.0	168	194
Pusher Offset #2	26.0	168	194
Pusher Offset #3	26.0	168	194
Tag Offset	26.0	194	220
Wheelbase	194	0	194

FRAME LAYOUT



Note: Optional content may be displayed. The order has not yet received an engineering review. The actual arrangement of components may not be exactly as pictured. Additional changes may be made to the layout by Kenworth. Add a Custom Frame Layout code if an exact layout is required.

Selected Options (Wheelbase: 194)

Sales Code	Description	Length	Side
7210090	Fuel Tank: 90 US gallon 24.5in. aluminum under	45.5	Left
7722153	Small round DEF tank, 14 gallons.	10.2	Left
6400636	Battery box cantilever aluminum BOC with	17.3	Right

CERTIFICATE OF INTERESTED PARTIES

FORM 1295

1 of 1

Complete Nos. 1 - 4 and 6 if there are interested parties.
Complete Nos. 1, 2, 3, 5, and 6 if there are no interested parties.

**OFFICE USE ONLY
CERTIFICATION OF FILING**

Certificate Number:
2022-854780

Date Filed:
02/25/2022

Date Acknowledged:
03/22/2022

1 Name of business entity filing form, and the city, state and country of the business entity's place of business.
Cleveland Mack Sales, Inc. dba Performance Truck
Cleveland, TX United States

2 Name of governmental entity or state agency that is a party to the contract for which the form is being filed.
Fort Bend County

3 Provide the identification number used by the governmental entity or state agency to track or identify the contract, and provide a description of the services, goods, or other property to be provided under the contract.
25168
Fort Bend county Purchase of Dump Truck for Road & Bridge /Crabb

4	Name of Interested Party	City, State, Country (place of business)	Nature of interest (check applicable)	
			Controlling	Intermediary
	Yeager, Dayne	Cleveland, TX United States	X	
	Martin, Skip	Cleveland, TX United States	X	
	Sweeten, Robert	Cleveland, TX United States	X	

5 Check only if there is NO Interested Party.

6 UNSWORN DECLARATION

My name is _____, and my date of birth is _____.

My address is _____, _____, _____, _____, _____.
(street) (city) (state) (zip code) (country)

I declare under penalty of perjury that the foregoing is true and correct.

Executed in _____ County, State of _____, on the _____ day of _____, 20____.
(month) (year)

Signature of authorized agent of contracting business entity
(Declarant)