

**Fort Bend County Tabulation  
 Bid 21-014  
 Installation of Transmitter and Receiver for Homeland Security and Emergency  
 Management for Fort Bend County**

**Recommended: Integrated Microwave Technology, LLC/DBA Vislink \$131,950.60  
 Funding: Homeland Security Grant**

| Description   | Integrated Microwave<br>Technology, LLC/DBA Vislink<br>Hackettstown, NJ |
|---|---|
| HDX1 100-6 ghz Airborne Transmitter or equal          | \$41,821.40   |
| Fixed Building Installation of Receiver or equal      | \$39,461.60   |
| Transport Stream Manager (Rack for Receiver) or equal | \$10,400.00   |
| Fixed Building Installation                           | \$17,850.00   |
| Mobile Command Downlink Receiver or equal             | \$14,917.60   |
| Mobile Command Post Installation                      | \$5,000.00  |
| Downlink Installation for the Primary Helicopter      | \$2,500.00  |
| <b>Grand Total:</b>                                   | <b>\$131,950.60</b>   |

October 14, 2020

Fort Bend County  
Purchasing Department  
Travis Annex  
301 Jackson, Suite 201  
Richmond, Texas

Ref: BID 21-014  
Transmitter and Receiver

Dear Sir or Madam,

Vislink is pleased to submit the attached offer to Fort Bend County for consideration.  
Our Proposal Reflects:

- Airborne Transmitter HDX1100 @ 6Ghz, with Omni Antenna,
- Fixed Receive CIRAS with TSM, to be installed at fixed building Site Jail Building
- CRX2 Receiver to be installed in a Mobil Command Vehicle.
- Installation services for Both Receive Sites
- Integration and Commissioning of Aircraft Transmitter.  
*(Please note Vislink is not an Authorization FAA Representative and will not be installing the HDX TX in the aircraft as that has to be approved by an FAA representative).*  
*This normally is the responsibility of the customer due to Aircraft certification.*

Vislink has also quoted the option for Extended warranty and annual maintenance wellness check as requested on Section 1.27 of Referenced above Bid: Please see attached offer.

### **Installation, Configuration and Testing**

Vislink will be responsible for the installation of the equipment at the Jail Site and Mobile command Vehicle at locations specified on Ref above bid.

# Quotation

Quotation Number/Rev T212024/1  
Quotation Date October 15, 2020  
Customer Number



## Invoice Address

FORT BEND COUNTY  
1410 Willimas Way Blvd  
Richmond, TX. 77469  
UNITED STATES

## Delivery Address

FORT BEND COUNTY  
1410 Willimas Way Bvd  
Richmond, TX. 77469  
UNITED STATES

**P/O Reference** EXT WARRANTY  
**Contact Name** Linda Sousa  
**Telephone** 978-330-9267  
**Fax**  
**E-mail** Linda.Sousa@Vislink.com

**Validity** 60 Day(s)  
**Terms of Payment** 30 Days Net  
**Terms of Delivery** Free On Board  
**Ship Via** FedEx Ground  
**Estimated Delivery** 90 days ARO subject to factory approval.  
**Warranty** Standard 2 year Warranty. Vendor items are covered by the warranty of the manufacturer.

| Line   | Model Number<br>Description  | Qty | Unit<br>USD | Extended<br>USD |
|--|--|-----|-------------|-----------------|
| <b>EXTENDED WARRANTY for ITEMS ON QUOTE T207574 REF BID -B21-014</b> |  |     |             |                 |
| 1.1  | 64HDX-5-EW3<br>1 Year Extended Warranty from 2nd Year Warranty, 3 Years Total -<br>Vislink/IMT Manufactured 64HDX-5                  | 1   | 4,066.00    | 4,066.00        |
| 1.2  | 64HDX-5-EW4<br>1 Year Extended Warranty from 3rd Year Extended Warranty, 4 Years Total -<br>Vislink/IMT Manufactured 64HDX-5         | 1   | 4,574.00    | 4,574.00        |
| 1.3  | 64HDX-5-EW5<br>1 Year Extended Warranty from 4th Year Extended Warranty, 5 Years Total -<br>Vislink/IMT Manufactured 64HDX-5         | 1   | 5,337.00    | 5,337.00        |
| 1.4  | 68CIRAS2-X6-EW3<br>1 Year Extended Warranty from 2nd Year Warranty, 3 Years Total -<br>Vislink/IMT Manufactured 68CIRAS2-X6          | 1   | 3,680.00    | 3,680.00        |
| 1.5  | 68CIRAS2-X6-EW4<br>1 Year Extended Warranty from 3rd Year Extended Warranty, 4 Years Total -<br>Vislink/IMT Manufactured 68CIRAS2-X6 | 1   | 4,140.00    | 4,140.00        |
| 1.6  | 68CIRAS2-X6-EW5<br>1 Year Extended Warranty from 4th Year Extended Warranty, 5 Years Total -<br>Vislink/IMT Manufactured 68CIRAS2-X6 | 1   | 4,830.00    | 4,830.00        |
| 1.7  | TSM-2020-SV-EW3<br>1 Year Extended Warranty from 2nd Year Warranty, 3 Years Total -<br>Vislink/IMT Manufactured TSM-2020-SV          | 1   | 520.00      | 520.00          |

# Quotation

Quotation Number/Rev T212024/1  
 Quotation Date October 15, 2020  
 Customer Number



| Line | Model Number<br>Description  | Qty | Unit<br>USD      | Extended<br>USD  |
|------|--|-----|------------------|------------------|
| 1.8  | TSM-2020-SV-EW4<br>1 Year Extended Warranty from 3rd Year Extended Warranty, 4 Years Total -<br>Vislink/IMT Manufactured TSM-2020-SV | 1   | 585.00           | 585.00           |
| 1.9  | TSM-2020-SV-EW5<br>1 Year Extended Warranty from 4th Year Extended Warranty, 5 Years Total -<br>Vislink/IMT Manufactured TSM-2020-SV | 1   | 683.00           | 683.00           |
| 1.10 | 68CRX2-ODU-EW3<br>1 Year Extended Warranty from 2nd Year Warranty, 3 Years Total -<br>Vislink/IMT Manufactured 68CRX2-ODU            | 1   | 1,020.00         | 1,020.00         |
| 1.11 | 68CRX2-ODU-EW4<br>1 Year Extended Warranty from 3rd Year Extended Warranty, 4 Years Total -<br>Vislink/IMT Manufactured 68CRX2-ODU   | 1   | 1,148.00         | 1,148.00         |
| 1.12 | 68CRX2-ODU-EW5<br>1 Year Extended Warranty from 4th Year Extended Warranty, 5 Years Total -<br>Vislink/IMT Manufactured 68CRX2-ODU   | 1   | 1,339.00         | 1,339.00         |
|      |  |     | <b>Sub Total</b> | <b>31,922.00</b> |

**Annual Maintenance Wellness check**

|     |   |   |           |           |
|-----|---|---|-----------|-----------|
| 2.1 | SERVICE<br>YEARLY MAINTENANCE- Consists of 1 Solution Engineer On Site for 3 Days<br>to perform testing, and wellness check of Equipment. | 1 | 12,400.00 | 12,400.00 |
|-----|---|---|-----------|-----------|

*ONE TECHNICIAN ON-SITE FOR THREE (3) DAYS FOR PRODUCT MAINTENANCE AND REPAIR. IF MORE TIME IS NEEDED, IT WILL BE BILLED SEPARATELY.*

*INCLUDES:  
 TRAVEL  
 LABOR  
 AIRFARE  
 HOTEL  
 PER DIEM*

*\*\*WARRANTY REPAIR WILL BE COVERED UNDER THE ORIGINAL AND EXTENDED WARRANTY.*

*ALL REPAIRS DUE TO MISUSE OR PHYSICAL DAMAGE WILL BE QUOTED AND BILLED SEPARATELY*

**Sub Total 12,400.00**

|                    |           |
|--------------------|-----------|
| <b>Net Total</b>   | 44,322.00 |
| <b>Tax</b>         | 0.00      |
| <b>Total (USD)</b> | 44,322.00 |

# Quotation

Quotation Number/Rev T212024/1  
Quotation Date October 15, 2020  
Customer Number



Customer Acceptance

Name(Print) \_\_\_\_\_ Signature \_\_\_\_\_ Date \_\_\_\_\_

Purchase Order Number \_\_\_\_\_ Date \_\_\_\_\_

PO's should be issued to : Integrated Microwave Technology, LLC

# Quotation

Quotation Number/Rev T207574/1  
 Quotation Date October 15, 2020  
 Customer Number



**Invoice Address**

Fort Bend SO  
 1410 Williams Way Blvd  
 Richmond, TX. 77469  
 UNITED STATES

**Delivery Address**

Fort Bend SO  
 1410 Williams Way Blvd  
 Richmond, TX. 77469  
 UNITED STATES

**P/O Reference** HDX/ CIRAS/ REV  
**Contact Name** Linda Sousa  
**Telephone** 978-330-9267  
**Fax**  
**E-mail** Linda.Sousa@Vislink.com

**Validity** 60 Day(s)  
**Terms of Payment** 30 Days Net  
**Terms of Delivery** Free On Board  
**Ship Via** FedEx Ground  
**Estimated Delivery** 90 days ARO subject to factory approval.  
**Warranty** Standard 2 year Warranty. Vendor items are covered by the warranty of the manufacturer.

| Line                                       | Model Number<br>Description  | Qty | List<br>USD | Unit<br>USD | Extended<br>USD  |
|--|--|-----|-------------|-------------|------------------|
| <b>HDX1100 -6 ghz Airborne Transmitter</b> |  |     |             |             |                  |
| 1.1  | 64HDX-5-NOMPEG2-NOIP-B3-NA-HDX-LPA-HDX-RC1-NV<br>Aircraft TX<br>-Frequency, Family, Power<br>-Encoding<br>-IP Encoding<br>-Encryption<br>-Encryption 2<br>-Mounting Kit<br>-Remote Control   | 1   | 58,470.00   | 40,929.00   | 40,929.00        |
|  | -TX,AIRCRAFT CERT ARINC H.264 MPEG-4 HD/SD 5W,6.4-6.5 GHZ,DC<br>-No MPEG2<br>-No IP Encoder<br>-AES Encryption 256 Bit + 128 Bit<br>-No Additional Encryption<br>-KIT HDX ARINC AIRCRAFT MOUNT LOW PROFILE<br>-DZUS Mounted Serial Remote Control w Night Vision, HDX-1100 |     |             |             |                  |
| 1.2  | CO6466-6-NF-F-S1<br>ANT,6.4-6.6 GHZ,6DBI, VERT, N,(F),FLANGE MT 12""L  | 1   | 1,115.50    | 892.40      | 892.40           |
| 1.3  | INTEGRATION ACC.207574<br>HDX1100 Integration and commissioning  | 1   | 2,500.00    | 2,500.00    | 2,500.00         |
| <b>Sub Total</b>                           |  |     |             |             | <b>44,321.40</b> |

**Fixed Building installation - Install @ Jail Roof- 8th Floor- @ 1410 Williams Way Bvd Richmond TX.**

|     |   |   |           |           |           |
|-----|---|---|-----------|-----------|-----------|
| 2.1 | 68CIRAS2-X6-M02-M05-B3-CIRAS2-ACC-STD-CIRAS-PM-ODU-ACC-GK-FP4<br>13<br>Central Integrated Antenna Receive System 6 way<br>-Frequency, Family<br>-Demodulation Options<br>-Decryption<br>-Accessory Kit<br>-Mounting Kit               | 1 | 49,327.00 | 39,461.60 | 39,461.60 |
|     | -6.425 - 7.150GHz Dual Channel CIRAS COFDM Truck Mounted Receiver w/ integrated antenna<br>-COFDM DVB-T + 1.25MHz Nar. Band Demod<br>-AES Decryption 256 Bit + 128 Bit<br>-CIRAS2 Dual Channel Accessory Kit<br>-CIRAS Pole Mount Kit |   |           |           |           |

# Quotation

Quotation Number/Rev T207574/1  
 Quotation Date October 15, 2020  
 Customer Number



| Line             | Model Number<br>Description  | Qty | List<br>USD | Unit<br>USD | Extended<br>USD  |
|------------------|--|-----|-------------|-------------|------------------|
|                  | -Grounding Kit<br>-Frequency Plan  |     |             |             |                  |
|                  | -Outdoor Unit Grounding Kit<br>-USA; VAR; 1Band; 6.4GHz for Law Enforcement  70.14 |     |             |             |                  |
| 2.5              | TSM-2020-SV<br>Transport Stream Manager<br>-Hardware<br>-Application               | 2   | 6,500.00    | 5,200.00    | 10,400.00        |
|                  | -TSM - 19" Rack Mount System<br>-Single Controller/Decoder (Rack Computer Only)    |     |             |             |                  |
| <b>Sub Total</b> |  |     |             |             | <b>49,861.60</b> |

**Installation of CIRAS on JAIL ROOFTOP And Installation of A CRX2 and Omni on Mobile Command Vehicle. .**

|                  |   |   |           |           |                  |
|------------------|---|---|-----------|-----------|------------------|
| 3.1              | INTEGRATION.SVC.207574<br>Vislink system integration.rooftop installation, contingent upon site survey and/or onsite photos | 1 | 17,850.00 | 17,850.00 | 17,850.00        |
| <b>Sub Total</b> |   |   |           |           | <b>17,850.00</b> |

**Mobile Command Unit Downlink Receive**

|                  |  |   |           |           |                  |
|------------------|--|---|-----------|-----------|------------------|
| 4.1              | 68CRX2-ODU-M02-M05-B3-FP413-CRX2-ACC-STD-ODU-ACC-GK-CRX2-HT<br>M<br>Central Receive Diversity X2<br>-Frequency, Family<br>-Demodulation Options<br>-Decryption<br>-Frequency Plan<br>-Accessory Kit<br>-Grounding Kit<br>-Mounting Kit   | 1 | 16,247.00 | 12,997.60 | 12,997.60        |
|                  | -6.425 - 7.150 GHz Central Rx Diversity X2, COFDM Outdoor Unit, Pole Mount Included<br>-COFDM DVB-T + 1.25MHz Nar. Band Demod<br>-AES Decryption 256 Bit + 128 Bit<br>-USA; VAR; 1Band; 6.4GHz for Law Enforcement  70.14   <br>-No Antennas, PoE, Power Supply, Cable Connector<br>-Outdoor Unit Grounding Kit<br>-CRX2F Heavy Tower Mount Kit (For Fiber Units Only) |   |           |           |                  |
| 4.8              | 1032-014<br>1032-014; Bifilar, 6.25-6.75 GHz, 3T, 60.3% Pitch, 6 dBi, Spring Base, N/M, 8.81"L, .812" OC Flat Black  | 1 | 1,200.00  | 960.00    | 960.00           |
| 4.9              | 1085-105<br>1085-105; Omni, 6.25-6.75 GHz, 5.1dBi, 4 Section Collinear, Spring Mount, High Performance Vertical  | 1 | 1,200.00  | 960.00    | 960.00           |
| 4.10             | INTEGRATION ACC.207574<br>Mobile Command Post Installation - To be assessed upon site survey. miscellaneous supplies.  | 1 | 5,000.00  | 5,000.00  | 5,000.00         |
| <b>Sub Total</b> |  |   |           |           | <b>19,917.60</b> |

|                        |            |
|------------------------|------------|
| <b>Freight Charges</b> | 1,000.00   |
| <b>Net Total</b>       | 132,950.60 |
| <b>Tax</b>             | 0.00       |
| <b>Total (USD)</b>     | 132,950.60 |

# Quotation

Quotation Number/Rev T207574/1  
Quotation Date October 15, 2020  
Customer Number



Customer Acceptance

Name(Print) \_\_\_\_\_ Signature \_\_\_\_\_ Date \_\_\_\_\_

Purchase Order Number \_\_\_\_\_ Date \_\_\_\_\_

PO's should be issued to : Integrated Microwave Technology, LLC

Vislink will have (2) Solution Engineers (SE) travel to Fort Bend for the installation. We will need 3 days for installation of new equipment. This includes travel, accommodations, and expenses.

Vislink may utilize some of the existing mounting structures if feasible, such as antenna mounts, outdoor radio unit mount, or and cable attachment hardware during the installation

Vislink will provide radio unit configuration, set-up and testing of each fixed receive site location and the Preliminary testing will be conducted utilizing a small hand-held receiver. This will ensure proper performance prior to actual aircraft flight testing.

### **STANDARD WARRANTY STATEMENT**

Vislink warrants all equipment which it manufactures to meet the Company's published specifications and to be free from defects in material and workmanship for a period **of 24 months from date of shipment.**

Vislink will either repair or replace any component that may fail or does not meet technical specifications. If we find equipment failed due to misuse that would be excluded from the warranty.

Equipment shall be returned for warranty service only after the factory has given shipping instructions. Vislink requires an RMA number for all returned equipment.

For an additional fee of retail catalogue sale price, Vislink will extend the standard two year warranty to 3 , 4 or 5 years. The terms and conditions of the two-year warranty apply to the extended warranty.

Validity: 30 Days

Delivery terms: FOB, Fort Bend Texas

Delivery: Standard Delivery is **90 Days** from Receipt of Formal Purchase order. Vislink will commit to Jan 31.2021 as long as a Purchase order is placed by end of Oct 2020.



Thank you for the opportunity to submit our offer and should you have any questions please don't hesitate to contact me.

Regards,

A handwritten signature in blue ink that reads 'Linda Sousa'.

Linda Sousa  
Regional Sales Manager  
Vislink-IMT  
Tel: 978-330-9267  
Email: [Linda.sousa@vislink.com](mailto:Linda.sousa@vislink.com)

*Fort Bend County, Texas  
Invitation for Bid*



*Installation of Transmitter and Receiver for Homeland Security and Emergency Management  
for Fort Bend County  
BID 21-014*

**SUBMIT BIDS TO:**

Fort Bend County  
Purchasing Department  
Travis Annex  
301 Jackson, Suite 201  
Richmond, TX 77469

Note: All correspondence must include the term  
"Purchasing Department" in address to assist in  
proper delivery

**SUBMIT NO LATER THAN:**

Tuesday, October 20, 2020  
2:00 PM (Central)

**MARK ENVELOPE:**

BID 21-014  
TRANSMITTER AND RECEIVER

***ALL BIDS MUST BE RECEIVED IN AND TIME/DATE STAMPED BY THE PURCHASING OFFICE  
OF FORT BEND COUNTY ON OR BEFORE THE SPECIFIED TIME/DATE STATED ABOVE.***

***BIDS RECEIVED AS REQUIRED WILL THEN BE OPENED AND PUBLICLY READ.***

***BIDS RECEIVED AFTER THE SPECIFIED TIME, WILL BE RETURNED UNOPENED.***

Results will not be given by phone.  
Results will be provided to bidder in writing  
after Commissioners Court award.

Requests for information must be in  
writing and directed to:  
Paige McInnis  
Assistant Purchasing Agent  
[Paige.McInnis@fortbendcountytexas.gov](mailto:Paige.McInnis@fortbendcountytexas.gov)

**Vendor Responsibilities:**

- Download and complete any addendums. (Addendums will be posted on the Fort Bend County website no  
Later than 48 hours prior to bid opening)
- Submit response in accordance with requirements stated on the cover of this document.
- DO NOT submit responses via email or fax.

Prepared: 09/22/2020  
Issued: 10/04/2020



**COUNTY PURCHASING AGENT  
Fort Bend County, Texas**

**Vendor Information**

Jaime Kovar  
County Purchasing Agent

Office (281) 341-8640

|  |  |  |                                    |
|--|--|--|------------------------------------|
| Legal Company Name<br>(top line of W9)   | Integrated Microwave Technologies - IMT  |  |                                    |
| Business Name<br>(if different from legal name)                                    | Vislink LLC  |  |                                    |
| Federal ID # or S.S. #   | DUNS # 35-2552031  |  |                                    |
| Type of Business   | <input checked="" type="checkbox"/> Corporation/LLC<br><input type="checkbox"/> Sole Proprietor/Individual | <input type="checkbox"/> Partnership<br><input type="checkbox"/> Tax Exempt Organization | Age in Business?<br>50 + <u>  </u> |
| Publicly Traded Business   | <input type="checkbox"/> No <input checked="" type="checkbox"/> Yes Ticker Symbol <u>  VISL  </u>          |  |                                    |
| Remittance Address   | 101 Bilby Road, Bldg 2 Suite 15  |  |                                    |
| City/State/Zip   | Hackettstown, NJ 07840   |  |                                    |
| Physical Address   | Same as Above  |  |                                    |
| City/State/Zip   | Hackettstown, New Jersey 07840   |  |                                    |
| Phone/Fax Number   | Phone: <u>  978-330-9267  </u> Fax: <u>                                  </u>                              |  |                                    |
| Contact Person   | Linda Sousa  |  |                                    |
| E-mail   | Linda.sousa@vislink.com  |  |                                    |
| Check all that apply to the company listed above and provide certification number. | DBE-Disadvantaged Business Enterprise <input type="checkbox"/>   | Certification # <u>                                  </u>                                |                                    |
|  | SBE-Small Business Enterprise <input type="checkbox"/>   | Certification # <u>                                  </u>                                |                                    |
|  | HUB - Texas Historically Underutilized Business <input type="checkbox"/>                                   | Certification # <u>                                  </u>                                |                                    |
|  | WBE-Women's Business Enterprise <input type="checkbox"/>   | Certification # <u>                                  </u>                                |                                    |
| Company's gross annual receipts  | <input type="checkbox"/> <\$500,000  | <input type="checkbox"/> \$500,000-\$4,999,999   |                                    |
|  | <input type="checkbox"/> \$5,000,000-\$16,999,999  | <input type="checkbox"/> \$17,000,000-\$22,399,999                                       |                                    |
|  | <input checked="" type="checkbox"/> >\$22,400,000  |  |                                    |
| NAICs codes (Please enter all that apply)  | 334220,34290,334310,334419   |  |                                    |
| Signature of Authorized Representative   |  |  |                                    |
| Printed Name   | Jim McGowan  |  |                                    |
| Title  | General Manager, MilGov Business Unit  |  |                                    |
| Date   |  |  |                                    |

**THIS FORM MUST BE SUBMITTED WITH THE SOLICITATION RESPONSE**

**1.0 GENERAL REQUIREMENTS:**

- 1.1 Read this entire document carefully. Follow all instructions. You are responsible for fulfilling all requirements and specifications. Be sure you understand them.  
*Comply and Understood*
- 1.2 General Requirements apply to all advertised bids; however, these may be superseded, whole or in part, by the scope, special requirements, specifications, special specifications or other data contained herein.  
*Comply and Understood*
- 1.3 Governing Law: Bidder is advised that these requirements shall be fully governed by the laws of the State of Texas and that Fort Bend County may request and rely on advice, decisions and opinions of the Attorney General of Texas and the County Attorney concerning any portion of these requirements.  
*Comply and Understood*
- 1.4 Bid Document Completion: Vendor shall fill out, initial each page, SIGN CONTRACT SHEET, do not date it. In the same sealed envelope, provide ONE (1) complete bid document, copy of completed Pricing Form and Electronic Excel file of the Pricing Form on CD or flash drive, if posted on County's website with bid document, to the Fort Bend County Purchasing Department. The vendor's Excel file must be downloadable by the County to transfer vendors' prices to the tabulation and not locked with a password. An authorized representative of the bidder MUST sign the contract sheet. Label the envelope with the appropriate bid number and title. The contract will be binding only when signed by the County Judge of Fort Bend County and a purchase order(s) authorizing the item(s) desired has been issued. The use of correction fluid is NOT acceptable and may result in the disqualification of bid. If an error is made, vendor MUST draw a line through error and initial each change. All response, typed or written information, must be clear and legible.  
*Comply and Understood*
- 1.5 Bid Returns: Bidders must return completed bid document to the Fort Bend County Purchasing Department at 301 Jackson, Suite 201, Richmond, Texas no later than 2:00 P.M. on the date specified. Late bids will not be accepted. Bids must be submitted in a sealed envelope, addressed as follows: Fort Bend County Purchasing Agent, Travis Annex, 301 Jackson, Suite 201, Richmond, Texas 77469.  
*Comply and Understood*
- 1.6 Addenda: No interpretation of the meaning of the drawings, specifications or other bid documents will be made to any bidder orally. All requests for such interpretations must be made in writing addressed to Paige McInnis, Assistant Purchasing Agent, 301 Jackson, Suite 201, Richmond, Texas 77469, e-mail: [Paige.McInnis@fortbendcountytexas.gov](mailto:Paige.McInnis@fortbendcountytexas.gov). Any and all interpretations and any supplemental instructions will be in the form of written addenda to the contract documents which will be posted on Fort Bend County's website. Addenda will **ONLY** be issued by the Fort Bend County Purchasing Agent. It is the sole responsibility of each bidder to insure receipt of any and all addenda. All addenda issued will become part of the contract documents. Bidders must sign



and include addendum in the returned bid package. Deadline for submission of questions and/or clarification is **Tuesday, October 13, 2020 at 10:00 AM (CST)**. Requests received after the deadline will not be responded to due to the time constraints of this bid process.

- Understood
- 1.8 Hold Harmless Agreement: Contractor shall indemnify and hold Fort Bend County harmless from all claims for personal injury, death and/or property damage arising from any cause whatsoever, resulting directly or indirectly from contractor's performance. Contractor shall procure and maintain, with respect to the subject matter of this bid, appropriate insurance coverage including, as a minimum, public liability and property damage with adequate limits to cover contractor's liability as may arise directly or indirectly from work performed under terms of this bid. Certification of such coverage must be provided to the County upon request.
- Understood
- 1.9 Waiver of Subrogation: Bidder and bidder's insurance carrier waive any and all rights whatsoever with regard to subrogation against Fort Bend County as an indirect party to any suit arising out of personal or property damages resulting from bidder's performance under this agreement.
- Understood
- 1.10 Severability: If any section, subsection, paragraph, sentence, clause, phrase or word of these requirements or the specifications shall be held invalid, such holding shall not affect the remaining portions of these requirements and the specifications and it is hereby declared that such remaining portions would have been included in these requirements and the specifications as though the invalid portion had been omitted.
- Understood
- 1.11 Bonds: If this bid requires submission of bid bond and/or bid guarantee and performance bond, there will be a separate Section explaining those requirements. Bids submitted without the required bid bond or cashier's checks are not acceptable. Bond/s or cashier's check must be complete with all required signatures.
- Understood
- 1.12 Taxes: Fort Bend County is exempt from all federal excise, state and local taxes unless otherwise stated in this document. Fort Bend County claims exemption from all sales and/or use taxes under Chapter 20, Title 122a, Vernon's Texas Civil Statutes, as amended. Texas Limited Sales Tax Exemption Certificates will be furnished upon written request to the Fort Bend County Purchasing Department.
- Understood
- 1.13 Fiscal Funding: A multi-year lease or lease/purchase arrangement (if requested by the specifications), or any contract continuing as a result of an extension option, must include fiscal funding out. If, for any reason, funds are not appropriated to continue the lease or contract, said lease or contract shall become null and void. After expiration of the lease, leased equipment shall be removed by the bidder from the using department without penalty of any kind or form to Fort Bend County. All charges and physical activity related to delivery, installation, removal and redelivery shall be the responsibility of the bidder.



- 1.14 Pricing: Prices for all goods and/or services shall be firm for the duration of this contract and shall be stated in the bid spreadsheet. Prices shall be all inclusive. No price changes, additions, or subsequent qualifications will be honored during the course of the contract. All prices must be written in ink or typewritten. Pricing on all transportation, freight, and other charges are to be prepaid by the contractor and included in the bid prices. If there are any additional charges of any kind, other than those mentioned above, specified or unspecified, bidder MUST indicate the items required and attendant costs or forfeit the right to payment for such items.  
*Understood*
- 1.15 Silence of Specifications: The apparent silence of specifications as to any detail, or the apparent omission from it of a detailed description concerning any point, shall be regarded as meaning that only the best commercial practice is to prevail and that only material and workmanship of the finest quality are to be used. All interpretations of specifications shall be made on the basis of this statement. The items furnished under this contract shall be new, unused of the latest product in production to commercial trade and shall be of the highest quality as to materials used and workmanship. Manufacturer furnishing these items shall be experienced in design and construction of such items and shall be an established supplier of the item bid.  
*Comply and Understood- All Products are manufactured and New.*
- 1.16 Supplemental Materials: Bidders are responsible for including all pertinent product data in the returned bid package. Literature, brochures, data sheets, specification information, completed forms requested as part of the bid package and any other facts which may affect the evaluation and subsequent contract award should be included. Materials such as legal documents and contractual agreements, which the bidder wishes to include as a condition of the bid, must also be in the returned bid package. Failure to include all necessary and proper supplemental materials may be cause to reject the entire bid.  
*Comply and Understood*
- 1.17 Material Safety Data Sheets: Under the "Hazardous Communication Act", commonly known as the "Texas Right To Know Act", a bidder must provide to County and using departments, with each delivery, material safety data sheets, which are, applicable to hazardous substances defined in the Act. Bidders are obligated to maintain a current, updated file in the Fort Bend County Purchasing Department. Failure of the bidder to maintain such a file will be cause to reject any bid applying thereto.  
*Understood-*
- 1.18 Name Brands: Specifications may reference name brands and model numbers. It is not the intent of Fort Bend County to restrict these bids in such cases, but to establish a desired quality level of merchandise or to meet a pre-established standard due to like existing items. Bidders may offer items of equal stature and the burden of proof of such stature rests with them. Fort Bend County shall act as sole judge in determining equality and acceptability of products offered.  
*Understood*
- 1.19 Color Selection: Determination of colors of materials is a right reserved by the

using department unless otherwise specified in the bid. Unspecified colors shall be quoted as standard colors, not colors, which require up charges or special handling. Unspecified fabrics or vinyl should be construed as medium grade. If bidder fails to get color/material approvals prior to delivery of merchandise, the using department may refuse to accept the items and demand correct shipment without penalty, subject to other legal remedies.

Understood

- 1.20 Evaluation: Evaluation shall be used as a determinant as to which bid items or services are the most efficient and/or most economical for the County. It shall be based on all factors, which have a bearing on price and performance of the items in the user environment. All bids are subject to tabulation by the Fort Bend County Purchasing Department and recommendation to Fort Bend County Commissioners Court. Compliance with all bid requirements, delivery and needs of the using department are considerations in evaluating bids. Pricing is NOT the only criteria for making a recommendation. The Fort Bend County Purchasing Department reserves the right to contact any bidder, at any time, to clarify, verify or request information with regard to any bid.

Understood

- 1.21 Inspections: Fort Bend County reserves the right to inspect any item(s) or service location for compliance with specifications and requirements and needs of the using department. If a bidder cannot furnish a sample of a bid item, where applicable, for review, or fails to satisfactorily show an ability to perform, the County can reject the bid as inadequate.

Comply and Understood

- 1.22 Testing: Fort Bend County reserves the right to test equipment, supplies, material and goods bid for quality, compliance with specifications and ability to meet the needs of the user. Demonstration units must be available for review. Should the goods or services fail to meet requirements and/or be unavailable for evaluation, the bid is subject to rejection.

Comply and Understood

- 1.23 Disqualification of Bidder: Upon signing this bid document, a bidder offering to sell supplies, materials, services, or equipment to Fort Bend County certifies that the bidder has not violated the antitrust laws of this state codified in section 15.01, et seq., Business & Commerce Code, or the federal antitrust laws, and has not communicated directly or indirectly the bid made to any competitor or any other person engaged in such line of business. Any or all bids may be rejected if the County believes that collusion exists among the bidders. Bids in which the prices are obviously unbalanced may be rejected. If multiple bids are submitted by a bidder and after the bids are opened, one of the bids is withdrawn, the result will be that all of the bids submitted by that bidder will be withdrawn; however, nothing herein prohibits a vendor from submitting multiple bids for different products or services.

Understood

- 1.24 Awards: Fort Bend County reserves the right to award this contract on the basis of lowest and best bid in accordance with the laws of the State of Texas, to waive any formality or irregularity, to make awards to more than one bidder, to reject



any or all bids. In the event the lowest dollar bidder meeting specifications is not awarded a contract, the bidder may appear before the Commissioners Court and present evidence concerning his responsibility. An award is final only upon formal execution by the Fort Bend County Commissioners Court or the Fort Bend County Purchasing Agent. Fort Bend County reserves the right to withdraw any award until execution by the proper authority.

Understood

- 1.25 Assignment: The successful vendor may not assign, sell or otherwise transfer this contract without written permission of Fort Bend County Commissioners Court.

Comply and Understood

- 1.26 Term Contracts: If the contract is intended to cover a specific time period, said time will be given in the specifications under scope.

Understood

- 1.27 Maintenance: Maintenance required for equipment bid should be available in Fort Bend County by a manufacturer authorized maintenance facility. Costs for this service shall be shown on the bid sheet as requested or on a separate sheet, as required. If Fort Bend County opts to include maintenance, it shall be so stated in the purchase order and said cost will be included. Service will commence only upon expiration of applicable warranties and should be priced accordingly.

Understood Maintenance /Ext.Warranty pricing included in offer.

- 1.28 Contract Obligation: Fort Bend County Commissioners Court must award the contract and the County Judge or other person authorized by the Fort Bend County Commissioners Court must sign the contract before it becomes binding on Fort Bend County or the bidders. Department heads are not authorized to sign agreements for Fort Bend County. Binding agreements shall remain in effect until all products and/or services covered by this purchase have been satisfactorily delivered and accepted.

Understood

- 1.29 Title Transfer: Title and Risk of Loss of goods shall not pass to Fort Bend County until Fort Bend County actually receives and takes possession of the goods at the point or points of delivery. Receiving times may vary with the using department. Generally, deliveries may be made between 8:30 a.m. and 4:00 p.m., Monday through Friday. Bidders are advised to consult the using department for instructions. The place of delivery shall be shown under the "Special Requirement" section of this bid document and/or on the Purchase Order as a "Ship To:" address.

Understood

- 1.30 Purchase Order and Delivery: The successful bidder shall not deliver products or provide services without a Fort Bend County Purchase Order, signed by an authorized agent of the Fort Bend County Purchasing Department. The fastest, most reasonable delivery time shall be indicated by the bidder in the proper place on the bid sheet. Any special information concerning delivery should also be included, on a separate sheet, if necessary. All items shall be shipped F.O.B. inside delivery unless otherwise stated in the specifications. This shall be understood to include bringing merchandise to the appropriate room or place designated by the using department. Every tender or delivery of goods must fully

comply with all provisions of these requirements and the specifications including time, delivery and quality. Nonconformance shall constitute a breach, which must be rectified prior to expiration of the time for performance. Failure to rectify within the performance period will be considered cause to reject future deliveries and cancellation of the contract by Fort Bend County without prejudice to other remedies provided by law. Where delivery times are critical, Fort Bend County reserves the right to award accordingly.

Understood

- 1.31 Contract Extension: Extensions may be made only by written agreement between Fort Bend County and the bidder. Any price escalations are limited to those stated by the bidder in the original bid.

Understood

- 1.32 Termination: Fort Bend County reserves the right to terminate the contract for default if Seller breaches any of the terms therein, including warranties of bidder or if the bidder becomes insolvent or commits acts of bankruptcy. Such right of termination is in addition to and not in lieu of any other remedies, which Fort Bend County may have in law or equity. Default may be construed as, but not limited to, failure to deliver the proper goods and/or services within the proper amount of time, and/or to properly perform any and all services required to Fort Bend County's satisfaction and/or to meet all other obligations and requirements. Contracts may be terminated without cause upon thirty (30) days written notice to either party unless otherwise specified.

Understood

- 1.33 Recycled Materials: Fort Bend County encourages the use of products made of recycled materials and shall give preference in purchasing to products made of recycled materials if the products meet applicable specifications as to quantity and quality. Fort Bend County will be the sole judge in determining product preference application.

Understood

- 1.34 Interlocal Participation: Additional governmental entities may purchase from this bid. Vendor agrees to accept purchase orders from those participating entities and to invoice each entity separately.

Understood

- 1.35 Escalation Clause: Successful bidder may apply for a price increase to the Fort Bend County Purchasing Agent. The County Purchasing Agent will review, and, if increase is deemed warranted, place the request on Fort Bend County's Commissioners Court agenda for their action of approval or disapproval. Approval by the County's Commissioner's Court is required. Any proposed price increase will only be the amount increased to the vendor from his/her supplier. The price increase request must be stated on the vendor's letterhead with the bid number and name in the subject including, in columns, for each item: item description, original bid price, percent of increase, and the total cost of the original bid price including the increased dollar amount. Written documentation from the vendor's supplier of the increase notice must be provided to the Purchasing Agent at time of increase request. No application for a price increase may be submitted within the first four (4) months of this contract. Increase requests of more than 25% of the original bid price will not be considered.



- 1.36 Modifications: This instrument contains the entire Contract between the parties relating to the rights herein granted and obligations herein assumed. Any oral or written representations or modifications concerning this instrument shall be of no force and effect excepting a subsequent written modification signed by both parties hereto.

Understood

## 2.0 TERMS & CONDITIONS:

- 2.1 Seller to Package Goods: Seller will package goods in accordance with good commercial practice. Each delivery container shall be clearly and permanently marked as follows (a) Seller's name and address; (b) Consignee's name, address and purchase order number and the bid number if applicable; (c) Container number and total number of containers (e.g. box 1 of 4 boxes); and (d) the number of the container bearing the packing slip. Seller shall bear cost of packaging unless otherwise provided. Goods shall be suitably packed to secure lowest transportation costs and to conform to requirements of common carriers and any applicable specifications. Fort Bend County's count or weight shall be final and conclusive on shipments not accompanied by packing list.

Comply and Understood

- 2.2 Shipment Under Reservation Prohibited: Seller is not authorized to ship goods under reservation and no tender of a bill of lading will operate as a tender of goods.

Comply and Understood

- 2.3 Title and Risk of Loss: The title and risk of loss of the goods shall not pass to the County until a County employee actually receives and takes possession of the goods at the point or points of delivery.

Understood

- 2.4 Delivery Terms: F.O.B. Destination Freight Prepaid, Inside Delivery, unless delivery terms are specified otherwise on Purchase Order.

Comply and Understood

- 2.5 No Replacement of Defective Tender: Every tender or delivery of goods must fully comply with all provisions of the Purchase Order as to time of delivery, quality and the like. If a tender is made which does not fully conform, this shall constitute a breach and Seller shall not have the right to substitute a conforming tender.

Comply and Understood

- 2.6 Place of Delivery: The place of delivery shall be that set forth in the block of the purchase order entitled "Ship To". Any change thereto shall be effective by modification as provided for in Clause number 2.20 "Modifications", hereof. The terms of this agreement are "no arrival, no sale", at the discretion of Fort Bend County.

Understood

- 2.7 Invoices and Payments:

- 2.7.1 Seller shall submit separate invoices, in duplicate. Invoices shall indicate the purchase order number and the bid number if applicable. Invoices shall be itemized and transportation charges, if any, shall be listed

separately. A copy of the bill of lading, and the freight waybill when applicable should be attached to the invoice.

[Comply and Understood](#)

2.7.2 Fort Bend County's obligation is payable only and solely from funds available for the purpose of this purchase. Lack of funds shall render the order null and void to the extent funds are not available and any delivered but unpaid goods will be returned to Seller by the county.

[Understood](#)

2.7.3 Do not include Federal Excise, State, or City Sales Tax. Fort Bend County is a tax-exempt governmental entity.

[Comply and Understood](#)

2.8 Gratuities: Fort Bend County may, by written notice to the Seller, cancel any order without liability, if it is determined by the County that gratuities, in the form of entertainment, gifts, or otherwise were offered or given by the Seller, or any agent or representative of the Seller to any officer or employee of Fort Bend County with a view toward securing an order. In the event an order is canceled by the County pursuant to this provision, the County shall be entitled, in addition to any other rights and remedies, to recover or withhold the amount of the cost incurred by Seller in providing such gratuities.

[Understood](#)

2.9 Special Tools and Test Equipment: If the price stated on the face of an order includes the cost of any special tooling or special test equipment fabricated or required by Seller for the purpose of filing this order, such special tooling equipment and any process sheets related thereto shall become the property of the County and to the extent feasible shall be identified by the Seller as such.

[Understood](#)

2.10 Warranty/Price:

2.10.1 The price to be paid by the County shall be that contained in Seller's quote or bid which Seller warrants to be no higher than Seller's current prices on orders by others for products of the kind and specification covered by an order for similar quantities under similar or like conditions and methods of purchase. In the event Seller breaches this warranty the prices of the items shall be reduced to the Seller's current prices on orders by others. Fort Bend County may cancel this contract without liability.

[Comply and Understood](#)

2.10.2 The Seller warrants that no person or selling agency has been employed or retained to solicit or secure any County order based upon any agreement or understanding for commission, percentage, brokerage, or contingent fee excepting bona fide employees of bona fide established commercial or selling agencies maintained by the Seller for the purpose of securing business. A breach or violation of this warranty gives the County the right, in addition to any other right or rights, to cancel this contract without liability.

[Comply and Understood](#)

2.11 Warranty Product: Seller shall not limit or exclude any implied warranties and



any attempt to do so shall render an order voidable at the option of the County. Seller warrants that the goods furnished will conform to the specifications, drawings, and description listed in the bid invitation and purchase order as applicable, and to the sample(s) furnished by Seller if any. In the event of a conflict between the specifications, drawings, and descriptions, the specifications shall govern.

Understood

- 2.12 Safety Warranty: Seller warrants that the product sold to Fort Bend County shall conform to the standards promulgated by the U.S. Department of Labor under the Occupational Safety and Health Act of 1970. In the event the product does not conform to OSHA standards, the County may return the product for correction or replacement at the Seller's expense. In the event Seller fails to make the appropriate correction within 10 days, correction made by the County will be at Seller's expense.

Comply and Understood

- 2.13 No Warranty by Fort Bend County Against Infringements: As part of a contract for sale Seller agrees to ascertain whether goods manufactured in accordance with the specifications will give rise to the rightful claim of any third person by way of infringement. Fort Bend County makes no warranty that the production of goods according to the specification will not give rise to such a claim and in no event shall Fort Bend County be liable to Seller for indemnification in the event the Seller is sued on the grounds of infringement or the like. If Seller is of the opinion that an infringement will result, he will notify Fort Bend County to this effect in writing within two days after the receiving Purchase Order. If the County does not receive notice and is subsequently held liable for the infringement, Seller will defend and save the County harmless. If Seller in good faith ascertains that production of the goods in accordance with the specifications will result in infringement, this contract shall be null and void except that the County will pay Seller the reasonable cost of his search as to infringements.

Comply and Understood

- 2.14 Right of Inspection: The County shall have the right to inspect the goods at delivery before accepting them.

Comply and Understood

- 2.15 Cancellation: Fort Bend County shall have the right to cancel for default all or any part of the undelivered portion of an order if Seller breaches any of the terms hereof including warranties of Seller, or if the Seller becomes insolvent or files for protection under the bankruptcy laws. Such rights of cancellation are in addition to and not in lieu of any other remedies, which Fort Bend County may have in law or equity.

Understood

- 2.16 Termination: The performance of work under a Purchase Order may be terminated in whole or in part by the County in accordance with this provision. Termination of work there under shall be effected by the delivery to the Seller of a "Notice of Termination" specifying the extent to which performance of work under the order is terminated and the date upon which such termination becomes effective. Such right of termination is in addition to and not in lieu of rights of



Fort Bend County set forth in Clause 15 herein.

Understood

- 2.17 Force Majeure: Force Majeure means a delay encountered by a party in the performance of its obligations under this Agreement, which is caused by an event beyond the reasonable control of that party. Without limiting the generality of the foregoing, "Force Majeure" shall include but not be restricted to the following types of events: acts of God or public enemy; acts of governmental or regulatory authorities; fires, floods, epidemics or serious accidents; unusually severe weather conditions; strikes, lockouts, or other labor disputes; and defaults by subcontractors.

In the event of a Force Majeure, the affected party shall not be deemed to have violated its obligations under this Agreement, and the time for performance of any obligations of that party shall be extended by a period of time necessary to overcome the effects of the Force Majeure, provided that the foregoing shall not prevent this Agreement from terminating in accordance with the termination provisions. If any event constituting a Force Majeure occurs, the affected party shall notify the other parties in writing, within twenty-four (24) hours, and disclose the estimated length of delay, and cause of the delay.

Understood

- 2.18 Assignment-Delegation: No right or interest in an order shall be assigned or delegation of any obligation made by Seller without the written permission of Fort Bend County. Any attempted assignment or delegation by Seller shall be wholly void and totally ineffective for all purposes unless made in conformity with this paragraph.

Understood

- 2.19 Waiver: No claim or right arising out of a breach of any contract can be discharged in whole or in part by a waiver or renunciation of the claim or right unless the waived or renunciation is supported by consideration and is in writing signed by the aggrieved party.

Understood

- 2.20 Modification: A Purchase Order can be modified or rescinded only by a writing signed by both of the parties or their duly authorized agents.

Understood

- 2.21 Parol Evidence: This writing is intended by the parties as a final expression of their agreement and is intended also as a complete and exclusive statement of the terms of this agreement. No course of prior dealings between the parties and no usage of the trade shall be relevant to supplement or explain any terms rendered under this agreement and shall not be relevant to determine the meaning of this agreement even though the accepting or acquiescing party has knowledge of the performance and opportunity for objection. Whenever a term defined by the Uniform Commercial Code is used in this agreement, the definition contained in the Code is to control.

Understood

- 2.22 Applicable Law: This agreement shall be governed by the Uniform Commercial Code. Whenever the term "Uniform Commercial Code" is used it shall be

construed as meaning the Uniform Commercial Code as adopted in the State of Texas and in effective on the date of the purchase order.

- 2.23** Understood Advertising: Seller shall not advertise or publish, without the County's prior consent the fact that Fort Bend County has entered into any contract, except to the extent necessary to comply with proper requests for information from an authorized representative of the federal, state, or local government.
- 2.24** Understood Right to Assurance: Whenever the County in good faith has reason to question the other party's intent to perform. The County may demand that the other party give written assurance of his intent to perform. In the event that a demand is made and no assurance is given within five (5) days, the County may treat this failure as an anticipatory repudiation of the contract.
- 2.25** Understood Venue: Both parties agree that venue for any litigation arising from this contract shall lie in Richmond, Fort Bend County, Texas.
- 2.26** Understood Prohibition Against Personal Interest in Contracts: No officer or employee of the County shall have a financial interest, direct or indirect, in any contract with the County, or shall be financially interested, directly or indirectly, in the sale to the County of any land, materials, supplies, or service, except on behalf of the County as an officer or employee. Any willful violation of this section shall constitute malfeasance in office, and any officer or employee guilty thereof shall be subject to disciplinary action under applicable laws, statutes and codes of the State of Texas. Any violation of this section, with the knowledge, expressed or implied of the person or corporation contracting with the County shall render the contract involved voidable by the County Commissioners Court.

Understood

### **3.0 SCOPE:**

It is the intent of Fort Bend County to contract with one (1) vendor for the installation of transmitter and receiver for Homeland Security and Emergency Management for Fort Bend County, as specified herein.

### **4.0 TEXAS ETHICS COMMISSION FORM 1295:**

- 4.1** Effective January 1, 2016 all contracts executed by Commissioners Court, regardless of the dollar amount, will require completion of Form 1295 "Certificate of Interested Parties", per the new Government Code Statute §2252.908. All vendors submitting a response to a formal Bid, RFP, SOQ or any contracts, contract amendments, renewals or change orders are required to complete the Form 1295 online through the State of Texas Ethics Commission website. Please visit: [https://www.ethics.state.tx.us/whatsnew/elf\\_info\\_form1295.htm](https://www.ethics.state.tx.us/whatsnew/elf_info_form1295.htm).
- Comply and Understood
- 4.2** On-line instructions:



- 4.2.1 Name of governmental entity is to read: Fort Bend County.
- 4.2.2 Identification number used by the governmental entity is: B21-014.
- 4.2.3 Description is the title of the solicitation: Installation of Transmitter and Receiver,  
Comply and Understood
- 4.3 Apparent low bidder(s) will be required to provide the Form 1295 within three (3) calendar days from notification; however, if your company is publicly traded you are not required to complete this form.

**5.0 STATE LAW REQUIREMENTS FOR CONTRACTS:**

The contents of this section are required by Texas Law and are included by County regardless of content.

- 5.1 Agreement to Not Boycott Israel Chapter 2270 Texas Government Code: By signature on vendor form, Contractor verifies Contractor does not boycott Israel and will not boycott Israel during the term of this Contract.
- 5.2 Texas Government Code Section 2251.152 Acknowledgment: By signature on vendor form, Contractor represents pursuant to Section 2252.152 of the Texas Government Code, that Contractor is not listed on the website of the Comptroller of the State of Texas concerning the listing of companies that are identified under Section 806.051, Section 807.051 or Section 2253.153.

Understood

**6.0 HUMAN TRAFFICKING:**

By acceptance of this contract, Contractor acknowledges that Fort Bend County is opposed to human trafficking and that no County funds will be used in support of services or activities that violate human trafficking laws.

Comply and Understood

**7.0 FEDERAL CLAUSES:**

Contractor understands and acknowledges that this Agreement may be totally or partially funded with federal and or state funds from the Department of Homeland Security and or the Office of the Governor. As a condition of receiving these funds, Contractor represents that it is and will remain in compliance with all federal and or state terms as stated below. These terms flow down to all third party contractors and their subcontracts at every tier that exceed the simplified acquisition threshold, unless a particular award term or condition specifically indicates otherwise. The Contractor shall require that these clauses shall be included in each covered transaction at any tier.

Understood

- 7.1 ADA Access.

The Contractor agrees to comply with all applicable provisions of section 504 of



the Rehabilitation Act of 1973, as amended, with 29 U.S.C. § 794, which prohibits discrimination on the basis of disability; with the Americans with Disabilities Act of 1990 (ADA), as amended, 42 U.S.C. §§ 12101 et seq., which requires that accessible facilities and services be made available to individuals with disabilities; and with the Architectural Barriers Act of 1968, as amended, 42 U.S.C. §§ 4151 et seq., which requires that buildings and public accommodations be accessible to individuals with disabilities, and any subsequent amendments to these laws; (4) U.S. DOJ regulations, "Nondiscrimination on the Basis of Disability in State and Local Government Services," 28 C.F.R. Part 35; (5) U.S. DOJ regulations, "Nondiscrimination on the Basis of Disability by Public Accommodations and in Commercial Facilities," 28 C.F.R. Part 36; (6) U.S. General Services Administration (U.S. GSA) regulations, "Accommodations for the Physically Handicapped," 41 C.F.R. Subpart 101-19; (7) U.S. EEOC, "Regulations to Implement the Equal Employment Provisions of the Americans with Disabilities Act," 29 C.F.R. Part 1630.

## 7.2 Child Support.

Per Texas Family Code 231.006, a child support obligor or business entity remains ineligible to receive payments from state funds under a contract to provide property, materials, or services; or a state funded loan until: (1) All arrearages have been paid; (2) the obligor is in compliance with a written repayment agreement or court order as to any existing delinquency; or (3) the court of continuing jurisdiction over the child support order has granted the obligor an exemption from ineligibility as part of a court-supervised effort to improve earnings and child support payments.

Before payment can be released Contractor will supply County with the name and social security number of the individual or sole proprietor and each partner, shareholder, or owner with an ownership interest of at least 25 percent of the business entity.

Under Section 231.006, Family Code, the Contractor certifies that the individual or business entity named in this contract, bid, or application is not ineligible to receive the specified grant, loan, or payment and acknowledges that this contract may be terminated and payment may be withheld if this certification is inaccurate.

## 7.3 Civil Rights/Nondiscrimination Requirements.

Contractor will comply, with the nondiscrimination requirements which may include the Civil Rights Act of 1964 (42 USC § 2000d); the Civil Rights Act of 1968 (42 USC § 3601 et seq.); the Rehabilitation Act of 1973 (29 USC § 794); the Americans With Disabilities Act (ADA) of 1990 (42 USC § 12131-34); the Education Amendments of 1972 (USC §§ 1681, 1683, 1685-86); Title IX of the Education Amendments of 1972 (Equal Employment in Education Act) (20 USC § 1681 et seq.); the Age Discrimination Act of 1975 (42 USC §§ 6101-07); Titles



I, II and III of the Americans with Disabilities Act; the Drug Abuse and Treatment Act of 1972 (PL 92-255); the Comprehensive Alcohol Abuse and Alcoholism Prevention, Treatment, and Rehabilitation Act of 1970 (PL 91-616); Sections 523 and 527 of the Public Health Service Act of 1912 (42 USC §§ 290dd-3 and 290ee-3); and 28 CFR 38 (Equal Treatment for Faith-Based Organizations); see Ex. Order 13279 (equal protection of the laws for faith-based and community organizations) and Ex. Order 13559 (fundamental principles and policymaking criteria for partnerships with faith-based and neighborhood organizations).

More specifically, Contractor will comply with:

#### 7.3.1 Civil Rights Act of 1964.

Contractor must comply with the requirements of Title VI of the Civil Rights Act of 1964 (42 U.S.C. Section 2000d et seq.), which provides that no person in the United States will, on the grounds of race, color, or national origin, be excluded from participation in, be denied the benefits of, or be subjected to discrimination under any program or activity receiving federal financial assistance. DHS implementing regulations for the Act are found at 6 C.F.R. Part 21 and 44 C.F.R. Part 7 (for FEMA related activities).

#### 7.3.2 Civil Rights Act of 1968.

Contractor must comply with Title VIII of the Civil Rights Act of 1968, which prohibits recipients from discriminating in the sale, rental, financing, and advertising of dwellings, or in the provision of services in connection therewith, on the basis of race, color, national origin, religion, disability, familial status, and sex (See 42 U.S.C. Section 3601 et seq.), as implemented by the Department of Housing and Urban Development at 24 C.F.R. Part 100. The prohibition on disability discrimination includes the requirement that new multifamily housing with four or more dwelling units- i.e., the public and common use areas and individual apartment units (all units in buildings with elevators and ground-floor units in buildings without elevators)-be designed and constructed with certain accessible features. (See 24 C.F.R. Section 100, Subpart D).

#### 7.3.3 Rehabilitation Act of 1973.

Contractor must comply with the requirements of Section 504 of the Rehabilitation Act of 1973, (29 U.S.C. Section 794), as amended, which provides that no otherwise qualified handicapped individuals in

the United States will, solely by reason of the handicap, be excluded from participation in, be denied the benefits of, or be subjected to discrimination under any program or activity receiving federal financial assistance.

7.3.5 Education Amendments of 1972.

Contractor must comply with the requirements of Title IX of the Education Amendments of 1972 (20 U.S.C. Section 1681 et seq.), which provide that no person in the United States will, on the basis of sex, be excluded from participation in, be denied the benefits of, or be subjected to discrimination under any educational program or activity receiving federal financial assistance. DHS implementing regulations are codified at 6 C.F.R. Part 17 and 44 C.F.R. Part 19.

7.3.6 Americans with Disabilities Act of 1990.

Contractor must comply with the requirements of Titles I, II, and III of the Americans with Disabilities Act, which prohibits recipients from discriminating on the basis of disability in the operation of public entities, public and private transportation systems, places of public accommodation, and certain testing entities. (42 U.S.C. Sections 12101-12213).

7.3.7 Age Discrimination Act of 1975.

Contractor must comply with the requirements of the Age Discrimination Act of 1975 (Title 42 U.S. Code, Section 6101 et seq.), which prohibits discrimination on the basis of age in any program or activity receiving federal financial assistance.

7.3.8 Nondiscrimination in Matters Pertaining to Faith-Based Organizations.

It is DHS policy to ensure the equal treatment of faith-based organizations in social service programs administered or supported by DHS or its component agencies, enabling those organizations to participate in providing important social services to beneficiaries. Contractor must comply with the equal treatment policies and requirements contained in 6 C.F.R. Part 19 and other applicable statutes, regulations, and guidance governing the participations of faith-based organizations in individual DHS programs.

The Contractor also agrees to include these requirements in each subcontract financed in whole or in part with Federal assistance provided by the Office of the Governor and U.S. Department of Homeland Security, modified only if necessary to identify the affected parties.

**Understood**

7.4 Cooperation with Monitoring, Audits and Records Requirements.

The Contractor agrees to cooperate with the Office of the Governor and any relevant federal agency generally, including on any compliance review or complaint investigation conducted by the Federal sponsoring agency or the Office of the Governor and on all grant monitoring requests, including requests related to desk reviews, enhanced programmatic desk reviews, and/or site visits.

The Contractor shall maintain adequate records that enable the Office of the Governor and any relevant federal agency to complete monitoring tasks, including to verify all reporting measures, requests for reimbursements, and expenditure of match funds related to this Grant Agreement. The Contractor shall maintain such records as are deemed necessary by the Office of the Governor, the State Auditor's Office, other auditors of the State of Texas, the federal government or such other persons or entities designated or authorized by the Office of the Governor to ensure proper accounting for all costs and performances related to this Grant Agreement.

The Office of the Governor may request documented proof of payment. Acceptable proof of payment includes, but is not necessarily limited to, a receipt or other documentation of a paid invoice, a general ledger detailing the specific revenue and expenditures, a monthly bank statement evidencing payment of the specific expenditure, bank reconciliation detail, copies of processed checks, or a printed copy of an electronic payment confirmation evidencing payment of the specific expenditure to which the reimbursement relates.

The Contractor authorizes DHS, the Office of the Governor, the Texas State Auditor's Office, the Comptroller General of the United States, and any relevant federal agency, and their representatives, the right to audit, examine, and copy all paper and electronic records, books, documents, accounting procedures, practices, and any other requested records, in any form; relevant to this Agreement and will make them readily available upon request. The Contractor will similarly permit access to facilities, personnel, and other individuals and information as may be necessary.

If requested, the Contractor shall submit to the Office of the Governor a copy of its most recent independent financial audit, any audited financial statements, related management letters and management responses of Contractor, and financial audit documents or portions thereof that are directly related to the Contractor's performance of its obligations under this Agreement.



The Office of the Governor may make unannounced monitoring visits at any time but will, whenever practical as determined at the sole discretion of the Office of the Governor, provide the Contractor with up to five (5) business days advance notice of any such examination or audit. Any audit of records shall be conducted at the Contractor's principal place of business and/or the location(s) of the Contractor's operations during the Contractor's normal business hours. The Contractor shall provide to the Office of the Governor or its designees, on the Contractor's premises, private space, office furnishings (including lockable cabinets), telephone services and Internet connectivity, utilities, and office-related equipment and duplicating services as the Office of the Governor or its designees may reasonably require to perform the audits described in this section.

In addition to the information contained in the required reports, other information may be required as requested by the Office of the Governor, including the Office of the Governor asking for more information regarding project performance or funds expenditures. In the event the Office of the Governor requires additional information regarding the information or data submitted, the Contractor will promptly provide the additional information. The Contractor also agrees to assist the Office of the Governor in responding to questions and assisting in providing information responsive to any audit, legislative request, or other inquiry regarding the grant award. Upon the request of the Office of the Governor, the Contractor must submit to the Office of the Governor any additional documentation or explanation the Office of the Governor may desire to support or document the requested payment or report submitted under this Agreement.

If after a written request by the Office of the Governor or a relevant federal agency, the Contractor fails to provide required reports, information, documentation, or other information within reasonable deadlines set by the Office of the Governor or the relevant federal agency, as required by this Agreement, or fails to fulfil any requirement in this section, then the Office of the Governor may consider this act a possible default under this Agreement, and the Contractor may be subject to sanctions including but not limited to, withholdings and/or other restrictions on the access to funds; referral to relevant agencies for audit review; designation of the Contractor as a high-risk Contractor; or termination of awards.

[Comply and Understood](#)

7.5 Debt to State.

The State shall not be responsible for any debts associated with this Agreement.

[Understood](#)

7.6 DHS Specific Acknowledgements and Assurances.

All Contractors, successors, transferees, and assignees must acknowledge and agree to comply with applicable provisions governing DHS access to records, accounts, documents, information, facilities, and staff.

[Understood](#)

7.6.1 Contractor must cooperate with any compliance reviews or compliance



investigations conducted by DHS.

Understood

7.6.2 Contractor must give DHS access to, and the right to examine and copy, records, accounts, and other documents and sources of information related to the federal financial assistance award and permit access to facilities, personnel, and other individuals and information as may be necessary, as required by DHS regulations and other applicable laws or program guidance.

Understood

7.6.3 Contractor must submit timely, complete, and accurate reports to the appropriate DHS officials and maintain appropriate backup documentation to support the reports.

Understood

7.6.4 Contractor must comply with all other special reporting, data collection, and evaluation requirements, as prescribed by law or detailed in program guidance.

Understood

7.6.5 If, during the past three years, Contractor has been accused of discrimination on the grounds of race, color, national origin (including limited English proficiency (LEP)), sex, age, disability, religion, or familial status, recipients must provide a list of all such proceedings, pending or completed, including outcome and copies of settlement agreements to the DHS FAO and the DHS Office of Civil Rights and Civil Liberties (CRCL) by e-mail at [crcl@hq.dhs.gov](mailto:crcl@hq.dhs.gov) or by mail at U.S. Department of Homeland Security Office for Civil Rights and Civil Liberties Building 410, Mail Stop #0190 Washington, D.C. 20528.

Understood

7.6.6 In the event courts or administrative agencies make a finding of discrimination on grounds of race, color, national origin (including LEP), sex, age, disability, religion, or familial status against the Contractor or Contractor settles a case or matter alleging such discrimination, Contractor is obligated to share this information with the County. The County is required to then forward a copy of the complaint and findings to the DHS FAO and the CRCL office by e-mail or mail at the addresses listed above.

The United States has the right to seek judicial enforcement of these obligations.

Understood

7.7 Energy Policy and Conservation Act.

The Contractor must comply with the requirements of The Energy Policy and Conservation Act (42 U.S.C. Section 6201) which contain policies relating to energy efficiency that are defined in the state energy conservation plan issued in compliance with this Act.

7.8 Drug-Free Workplace Regulations.

Recipients must comply with drug-free workplace requirements in Subpart B (or

Subpart C, if the recipient is an individual) of 2 C.F.R. Part 3001, which adopts the Government-wide implementation (2 C.F.R. Part 182) of Sec. 5152-5158 of the *Drug-Free Workplace Act of 1988* (41 U.S.C. §§ 8101-8106).

7.9 Examination of Records.

The Contractor agrees to provide County, the Office of the Governor and U.S. Department of Homeland Security, the Comptroller General of the United States or any of their authorized representatives access to any books, documents, papers and records of the Contractor which are directly pertinent to the Agreement for the purposes of making audits, examinations, excerpts and transcriptions. The Contractor agrees to permit any of the foregoing parties to reproduce by any means whatsoever or to copy excerpts and transcriptions as reasonably needed.

Understood

The Contractor agrees to comply and will require all subcontractors of any tier to comply with the record retention requirements in accordance with 2 C.F.R. 200.333. The Contractor agrees to retain, and will require its subcontractors of all tiers to retain, complete and readily accessible records related in whole or in part to the contract, including, but not limited to, all books, records, accounts, statistics, leases, subcontracts, arrangements other third party arrangements of any type, reports, and supporting materials related to those records required under the Agreement for a period of not less than three years after the date of termination or expiration of the Agreement, except in the event of litigation or settlement of claims arising from the performance of the Agreement, in which case Contractor agrees to maintain same until County, the Office of the Governor and U.S. Department of Homeland Security, the Comptroller General, or any of their duly authorized representatives, have disposed of all such litigation, appeals, claims or exceptions related thereto.

Understood

7.10 Fly America.

The Contractor agrees to comply with Preference for U.S. Flag Air Carriers (air carriers holding certificates under 49 U.S.C. Section 41102) for international air transportation of people and property to the extent that such service is available, in accordance with the International Air Transportation Fair Competitive Practices Act of 1974 (49 U.S.C. Section 40118) and the interpretative guidelines issued by the Comptroller General of the United States in the March 31, 1981 amendment to Comptroller General Decision B-138942.

And with 49 U.S.C. 40118 (the "Fly America" Act) in accordance with the General Services Administration's regulations at 41 C.F.R. Part 301-10, which provide that recipients and sub-recipients of Federal funds and their contractors are required to use U.S. Flag air carriers for U.S. Government-financed international air travel and transportation of their personal effects or property, to the extent such service is available, unless travel by foreign air carrier is a matter of necessity, as defined by the Fly America Act. The Contractor shall submit, if a

foreign air carrier was used, an appropriate certification or memorandum adequately explaining why service by a U.S. flag air carrier was not available or why it was necessary to use a foreign air carrier and shall, in any event, provide a certificate of compliance with the Fly America requirements. The Contractor agrees to include the requirements of this section in all subcontracts that may involve international air transportation.

Understood

7.11 Government-wide Debarment and Suspension.

The Contractor shall comply and facilitate compliance with the U.S. Office of Management and Budget (U.S. OMB) "Guidelines to Agencies on Governmentwide Debarment and Suspension (Nonprocurement)," 2 C.F.R. part 180. A contract award in any tier must not be made to parties listed on the government wide exclusions in the System for Award Management (SAM), in accordance with the OMB guidelines at 2 C.F.R. § 180 that implement Executive Orders Nos. 12549 (3 C F R part 1986 Comp., p. 189) and 12689 (3 C.F.R. part 1989 Comp., p. 235), "Debarment and Suspension." SAM Exclusions contains the names of parties debarred, suspended, or otherwise excluded by agencies, as well as parties declared ineligible under statutory or regulatory authority other than Executive Order No. 12549. These provisions apply to each contract at any tier of \$25,000 or more, and to each contract at any tier for a federally required audit (irrespective of the contract amount).

This certification is a material representation of fact relied upon by the County. If it is later determined that the Contractor did not comply with 2 C.F.R. pt. 180, subpart C and 2 C.F.R. pt. 3000, subpart C, in addition to remedies available to DHS and County, the Federal Government may pursue available remedies, including but not limited to suspension and/or debarment.

Contractor agrees to comply with the requirements of 2 C.F.R. pt. 180, subpart C and 2 C.F.R. pt. 3000, subpart C while this offer is valid and throughout the period of any contract that may arise from this offer. The bidder or proposer further agrees to include a provision requiring such compliance in its lower tier covered transactions.

Understood

7.12 Health and Human Services, Public Safety or Law Enforcement Agency Compliance.

Contractor certifies that it as owner, operator or administrator of a facility has not had any licenses, certificates, or permits revoked by any health and human service agency or public safety or law enforcement agency.

Comply and Understood

7.13 Byrd Anti-Lobbying Amendment.

Contractors who apply or bid for an award of \$100,000 or more shall file the certification required by 49 C.F.R. Part 20, "New Restrictions on Lobbying."

Contractor and certifies that it and all its subcontractors at every tier will not and have not used Federal appropriated funds to pay any person or organization for influencing or attempting to influence an officer or employee of any agency, a member of Congress, officer or employee of Congress, or an employee of a member of Congress in connection with obtaining any Federal contract, grant, award, including any extension, continuation, renewal, amendment, or modification covered by 31 U.S.C. 1352. Each tier shall also disclose the name of any registrant under the Lobbying Disclosure Act of 1995 who has made lobbying contacts on its behalf with non-Federal funds with respect to that Federal contract, grant or award covered by 31 U.S.C. 1352.

Comply and Understood

7.14 Program Fraud, False Claims Act and Program Fraud Civil Remedies.

Contractor must comply with the requirements of the False Claims Act (31 U.S.C. Section 3729-3733) which prohibits the submission of false or fraudulent claims for payment to the federal government. (See also 31 U.S.C. Section 3801-3812 which details the administrative remedies for false claims and statements.)

The Contractor acknowledges that the provisions of the Program Fraud Civil Remedies Act of 1986, as amended, 31 U.S.C. § 3801 et seq. and U.S. DOT regulations, "Program Fraud Civil Remedies," 49 C.F.R. Part 31, apply to its actions pertaining to this Project. Upon execution of the underlying contract, the Contractor certifies or affirms the truthfulness and accuracy of any statement it has made, it makes, it may make, or causes to be made, pertaining to Agreement or the DHS assisted project for which the Agreement work is being performed. In addition to other penalties that may be applicable, the Contractor further acknowledges that if it makes, or causes to be made, a false, fictitious, or fraudulent claim, statement, submission, or certification, the Federal Government reserves the right to impose the penalties of the Program Fraud Civil Remedies Act of 1986 on the Contractor to the extent the Federal Government deems appropriate.

The Contractor also acknowledges that if it makes, or causes to be made, a false, fictitious, or fraudulent claim, statement, submission, or certification to the Federal Government under a contract connected with a project that is financed in whole or in part with Federal assistance originally awarded by DHS, the Government reserves the right to impose the penalties of 18 U.S.C. § 1001 and 49 U.S.C. § 5307(n)(1) on the Contractor, to the extent the Federal Government deems appropriate.

The Contractor agrees to include the above three clauses in each subcontract financed in whole or in part with Federal assistance provided by DHS. It is further agreed that the clauses shall not be modified, except to identify the subcontractor who will be subject to the provisions.

Understood



7.15 Reporting of Fraud, Waste, and Abuse.

Contractor understands that in the event County becomes aware of any allegation or a finding of fraud, waste, or misuse of funds received from the Office of the Governor that is made against the Contractor, the County is required to immediately notify OOG of said allegation or finding and to continue to inform OOG of the status of any such on-going investigations. The County must also promptly refer to OOG any credible evidence that a principal, employee, agent, contractor, subcontractor, or other person has -- (1) submitted a claim for award funds that violates the False Claims Act; or (2) committed a criminal or civil violation of laws pertaining to fraud, conflict of interest, bribery, gratuity, or similar misconduct involving award funds. County must also immediately notify OOG in writing of any misappropriation of funds, fraud, theft, embezzlement, forgery, or any other serious irregularities indicating noncompliance with grant requirements. County must notify the local prosecutor's office of any possible criminal violations.

Understood

7.16 Restrictions and Certifications Regarding Non-Disclosure Agreements and Related Matters.

Contractor certifies that they have not required any employee or contractor to sign an internal confidentiality agreement or statement that prohibits or otherwise restricts, or purports to prohibit or restrict, the reporting (in accordance with law) of waste, fraud, or abuse to an investigative or law enforcement representative of a state or federal department or agency authorized to receive such information.

Comply and Understood

7.17 National Environmental Policy Act.

Recipients and subrecipients must comply with the requirements of the National Environmental Policy Act (NEPA) and the Council on Environmental Quality (CEQ) Regulations for Implementing the Procedural Provisions of NEPA, which requires recipients to use all practicable means within their authority, and consistent with other essential considerations of national policy, to create and maintain conditions under which people and nature can exist in productive harmony and fulfill the social, economic, and other needs of present and future generations of Americans.

Comply and Understood

7.18 Political Activities.

Contractors are prohibited from using federal funds directly or indirectly for political purposes, including polling, lobbying or advocating for legislative programs or changes; campaigning for, endorsing, contributing to, or otherwise supporting political candidates or parties; and voter registration or get-out-the-vote campaigns. Generally, organizations or entities which receive federal funds by way of grants, contracts, or cooperative agreements do not lose their rights as organizations to use their own, private, non-federal resources for "political"



activities because of or as a consequence of receiving such federal funds. These recipient organizations must thus use private or other non-federal money, receipts, contributions, or dues for their political activities, and may not charge off to or be reimbursed from federal contracts or grants for the costs of such activities.

Understood

7.19 Resource Recovery.

The Contractor agrees to provide a preference for those products and services that conserve natural resources, protect the environment, and are energy efficient by complying with and facilitating compliance with Section 6002 of the Resource Conservation and Recovery Act, as amended, 42 U.S.C. § 6962, and U.S. Environmental Protection Agency (U.S. EPA), "Comprehensive Procurement Guideline for Products Containing Recovered Materials," 40 C.F.R. part 247.

Understood

7.20 Retention of Records.

The Contractor agrees to maintain fiscal records and supporting documentation for all expenditures related to this Agreement pursuant to 2 CFR 200.333, UGMS, and state law. Contractor must retain, and will require its subcontractors of all tiers to retain, these records and any supporting documentation for a minimum period of not less than three (3) years after the date of termination or expiration of the Agreement or any litigation, dispute, or audit arising from the performance of the Agreement. Records related to real property and equipment acquired with grant funds shall be retained for three (3) years after final disposition. The Office of the Governor's Homeland Security Grant Division (HSGD) reserves the right to direct a grantee to retain documents for a longer period of time or transfer certain records to HSGD custody when it is determined the records possess longer term retention value.

Comply and Understood

7.21 Prompt Payment.

The Contractor is required to pay its subcontractors performing work related to the Underlying Agreement for satisfactory performance of that work no later than 30 days after the Contractor's receipt of payment for that work from County. In addition, the Contractor is required to return any retainage payments to those subcontractors within 30 days after the subcontractor's work is satisfactorily completed.

Comply and Understood

7.22 SAFECOM.

Recipients and subrecipients receiving federal financial assistance awards made under programs that provide emergency communication equipment and its related activities must comply with the SAFECOM Guidance for Emergency Communication Grants, including provisions on technical standards that ensure and enhance interoperable communications.

Understood

7.23 Prohibited Telecommunications and Video Surveillance Services and Equipment.



In the performance of this Agreement, Contractor certifies that they are in compliance with the [John S. McCain National Defense Authorization Act for Fiscal Year 2019 \(FY 2019 NDAA\)](#), Pub. L. No. 115-232 (2018) and that no part equipment, system, or service that uses covered telecommunications equipment or services as a substantial or essential component of any system, or as critical technology of any system will include any covered equipment or services as defined by section 889(f)(2)-(3) of the FY 2019 NDAA. "Covered equipment or services" shall include:

[Understood](#)

- 7.23.1 Telecommunications equipment produced by Huawei Technologies Company or ZTE Corporation (or any subsidiary or affiliate of such entities);
- 7.23.2 For the purpose of public safety, security of Government facilities, physical security surveillance of critical infrastructure, and other national security purposes, video surveillance and telecommunications equipment produced by Hytera Communications Corporation, Hangzhou Hikvision Digital Technology Company, or Dahua Technology Company (or any subsidiary or affiliate of such entities);
- 7.23.3 Telecommunications or video surveillance services provided by such entities or using such equipment; or
- 7.23.4 Telecommunications or video surveillance equipment or services produced or provided by an entity that the Secretary of Defense, in consultation with the Director of National Intelligence or the Director of the Federal Bureau of Investigation, reasonably believes to be an entity owned or controlled by, or otherwise connected to, the People's Republic of China.

[Understood](#)

- 7.24 Termination for Cause and Termination for Convenience.

Contractor understands that all contracts in excess of \$10,000, including subcontracts, must address termination for cause and for convenience by the non-Federal entity including the manner by which it will be effected and the basis for settlement.

[Understood](#)

- 7.25 Terrorist Financing.

Contractor must comply with E.O. 13224 and U.S. law that prohibit transactions with, and the provisions of resources and support to, individuals and organizations associated with terrorism.

[Understood](#)

- 7.26 Text Messaging While Driving.



Contractor is encouraged to adopt and enforce policies that ban text messaging while driving as described in E.O. 13513, including conducting initiatives described in Section 3(a) of the Order when on official government business or when performing any work for or on behalf of the federal government.

Understood

7.27 Trafficking Victims Protection Act.

Contractor will comply with the requirements of Section 106(g) of the Trafficking Victims Protection Act (TVPA) of 2000, as amended (22 U.S.C. 7104) which prohibits grant award recipients or a sub-recipient from awarding funds to a private entity or individual who has (1) engaged in severe forms of trafficking in persons during the period of time that the award is in effect; (2) procured a commercial sex act during the period of time that the award is in effect or (3) used forced labor in the performance of the award or subawards under the award. Contractor shall inform County immediately upon receipt of any information from any source alleging a violation of a prohibition of TVP. Violation of this clause, may result in termination of this Agreement.

Understood

7.28 USA Patriot Act of 2001.

Contractor must comply with requirements of the Uniting and Strengthening America by Providing Appropriate Tools Required to Intercept and Obstruct Terrorism Act (USA PATRIOT Act), which amends 18 U.S.C. Sections 175-175c.

Understood

7.29 Use of DHS Seal, Logo and Flags.

Contractor must obtain permission from their DHS FAO, prior to using the DHS seal(s), logos, crests or reproductions of flags or likenesses of DHS agency officials, including use of the United States Coast Guard seal, logo, crests or reproductions of flags or likenesses of Coast Guard officials.

Understood

7.30 No Obligation by Federal Government.

The Federal Government is not a party to this Agreement and is not subject to any obligations or liabilities to the County, Contractor, or any other party pertaining to any matter resulting from the contract.

Understood

7.31 Notice of Funding Opportunity.

All of the instructions, guidance, limitations, and other conditions set forth in the federal Notice of Funding Opportunity (NOFO) for this program are incorporated here by reference in the award terms and conditions.

Understood



7.32 Contracting with Small, Minority Firms, Women's Business Enterprises and Labor Surplus Area Firms.

Contractor will take all necessary, affirmative steps to assure that qualified small and minority businesses, women's business enterprises, and labor area surplus firms are used when possible by:

7.32.1 Placing small and minority businesses and women's business enterprises on solicitation lists;

7.32.2 Assuring that it solicits small and minority businesses and women's business enterprises whenever they are potential sources;

7.32.3 Dividing total requirements, *when economically feasible*, into smaller tasks or quantities to permit maximum participation by small and minority businesses and women's business enterprises;

7.32.4 Establishing delivery schedules, *where the requirement permits*, which encourage participation by small and minority businesses and women's business enterprises;

7.32.5 Utilizing the assistance, as appropriate, of such organizations as the Small Business Administration and the Minority Business Development Agency of the Department of Commerce;

7.32.6 Contractor must require subcontractors to take the five affirmative steps described in a-e above.

Understood

7.33 Disputes and Resolutions.

Contractor understands that for all subcontracts of \$250,000 or more, the Contractor must include terms to address dispute resolution between the parties who shall attempt in good faith to resolve promptly any dispute arising out of or relating to the Agreement by negotiation between the parties.

Understood

7.34 Whistleblower Protections.

Contractor must comply with the statutory requirements for whistleblower protections (if applicable) at 10 U.S.C Section 2409, 41 U.S.C. 4712, and 10 U.S.C. Section 2324, 41 U.S.C. Sections 4304 and 4310.

Understood

7.35 Compliance with Federal Law, Regulations, and Executive Orders.

Contractor's attention is called to the fact that this Agreement between County and Contractor will be subject to financial assistance contracts between the County and various State or Federal agencies. The Agreement to be awarded,



therefore, is subject to the terms of these agreements and will not proceed without these agreements having been duly executed. The Contractor will be required to comply with, in addition to other provisions of the agreement, the conditions required by applicable federal regulations. Contractor will comply will all applicable federal law, regulations, executive orders, policies, procedures, and directives.

Understood

## 8.0 DELIVERY:

Delivery of all items must be completed by January 31, 2021 to Fort Bend County Sheriff's Office, 1410 Williams Way Blvd., Richmond, TX 77469, unless otherwise noted on purchase order.

Comply and Understood

## 9.0 SPECIFICATIONS AND PRICING:

The vendor shall provide and install a video downlink system for the Fort Bend County Sheriff's Office primary helicopter. A diversity receiver shall be provided and mounted on a portable base on top of the existing jail roof located at 1410 Williams Way Blvd., Richmond, TX 77469. A receiver and antenna shall be provided and installed in the Fort Bend County Sheriff's Office Mobile Command Post. This shall allow live video from the helicopter to be transmitted for the Sheriff's Office to review.

Comply and Understood

Vendor is to provide bid pricing below to provide and deliver the below item or approved equal (see Section 1.18). If bidding an equal product, it is required of the bidder to provide the manufacturer name and model in the space provided. The manufacture's detailed specifications of the equal product must be included with bidder's response as well as the specified item's detailed specifications proving the items are equal. Prices bid are all inclusive. No additional fees are permitted.

9.1 Provide and Install the following equipment at the Sheriff's Office and Mobile Command Post located at 1410 Williams Way Blvd., Richmond, TX 77469.

9.1.1 HDX1100-6 ghz Airborne Transmitter or equal:

- 64HDX-5-NOMPEG2-NOIP-B3-NA-HDX-LPA-HDX-RC1-NV
- Frequency, Family, Power
- Encoding
- IP Encoding
- Encryption
- Encryption 2
- Mounting Kit
- Remote Control
- TX,AIRCRAFT CERT ARINC H.264 MPEG-4 HD/SD 5W,6.4-6.5 GHZ,DC
- No MPEG2
- No IP Encoder
- AES Encryption 256 Bit + 128 Bit



- No Additional Encryption
- KIT HDX ARINC ARICRAFT MOUNT LOW PROFILE
- DZUS Mounted Serial Remote Control with Night Vision, HDX-1100
- ANT, 6.4-6.6 GHZ, 6DBI, VERT, N,(F), FLANGE MT 12 INCH LENGTH

IMT-VISLIK-HDX1100 \$41821.40

(Provide manufacturer name and model. Must be new.)

9.1.2 Fixed Building Installation of Receiver or equal:

- 68CIRAS2-X6-M02-M05-B3-CIRAS2-ACC-STD-CIRAS-PM-ODU-ACC-GK-FP413
- Central Integrated Antenna Receive System 6 way
- Frequency, Family
- Demodulation Options
- Decryption
- Accessory Kit
- Mounting Kit
- Grounding Kit
- Frequency Plan
- 6.425-7.150GHz Dual Channel CIRAS COFDM Truck Mounted Receiver with Integrated antenna
- COFDM DVB-T + 1.25MHz Nar. Band Demod
- AES Decryption 256 Bit + 128 Bit
- CIRAS2 Dual Channel Accessory Kit
- CIRAS Pole Mount Kit
- Outdoor Unit Grounding Kit
- USA; VAR; 1Band; 6.4GHz for Law Enforcement (70.14)

IMT-VISLINK-CIRAS \$39461.60

(Provide manufacturer name and model. Must be new.)

9.1.3 Transport Stream Manager (Rack for Receiver) or equal:

- TSM-2020-SV Transport Stream Manager
- Hardware
- Application
- TSM – 19 inch Rack Mount System
- Single Controller/Decoder (Rack Computer Only)

IMT-VISLINK - TSM2020 \$ 10400.00

(Provide manufacturer name and model. Must be new.)



9.1.4 Fixed Building Installation:

- INTEGRATION SERVICES
- System integration, rooftop installation

IMT-VISLINK- INT SERVICES \$ 17850.00

(Provide all-inclusive price for the integration and rooftop installation.)

9.1.5 Mobile Command Downlink Receiver or equal:

- 68CRX2-ODU-M02-M05-B3-FP413-CRX2-ACC-STD-ODU-ACC-GK-CRX2-LWM
- Central Receive Diversity X2
- Frequency, Family
- Demodulation Options
- Decryption
- Frequency Plan
- Accessory Kit
- Grounding Kit
- Mounting Kit
- 6.425 – 7.150 GHz Central Rx Diversity X2, COFDM Outdoor Unit, Pole Mount Included
- COFDM DVB-T + 1.25MHz Nar. Band Demod
- AES Decryption 256 Bit + 128 Bit
- USA; VAR; 1Band; 6.4GHz for Law Enforcement (70.14)
- No Antennas, PoE, Power Supply, Cable Connector
- Outdoor Unit Grounding Kit
- CRX2F Light Weight / Portable Mounting Kit (For Fiber Units Only)
- 1032-014; Bifilar, 6.25-6.75 GHz, 3T, 60.3% Pitch, 6 dBi, Spring Base, N/M, 8.81”L, .812” OC Flat Black
- 1085-105; Omni, 6.25-6.75 GHz, 5.1dBi, 4 Section Collinear, Spring Mount, High Performance Vertical

IMT-VISLINK -CRX2 \$ 14917.60

(Provide manufacturer name and model. Must be new.)

9.1.6 Mobile Command Post Installation:

- INTEGRATION SERVICES
- System integration, mobile command installation

IMT VISLINK - INT SERVICES \$ 5000.00

(Provide all-inclusive price for the integration and mobile command post installation.)



9.2 Provide and Install the following equipment in the Sheriff's Office primary helicopter located at 1410 Williams Way Blvd., Richmond, TX 77469.

9.2.1 Downlink Installation for the Primary Helicopter:

- HDX 1100 Downlink or equal.
- System integration, mobile command installation

**IMT-VISLINK - SYST INTEGRATION for Airborne TX \$2500.00**

---

(Provide all-inclusive price for the integration and helicopter installation.)

## **10.0 EXHIBITS:**

The following being incorporated herein by reference for all purposes as though fully set forth herein word for word.

Exhibit 1 – Aircraft Downlink High Power Transmitter Data Sheet

Exhibit 2 – Site Photos

## **11.0 AWARD:**

This contract will be awarded to the lowest and best bidder meeting specifications per sections 9.1 and 9.2.

## **12.0 REQUIRED FORMS:**

All bidders are required to complete the attached and return with their submission:

12.1 Vendor Form

12.2 W9 Form

12.3 Tax Form/Debt/Residence Certification

**Comply and Understood**



**Contract Sheet  
Bid 21-014**

**THE STATE OF TEXAS  
COUNTY OF FORT BEND**

This memorandum of agreement made and entered into on the 3 day of November, 2020,  
by and between Fort Bend County in the State of Texas (hereinafter designated County), acting herein by  
County Judge KP George, by virtue of an order of Fort Bend County Commissioners Court, and  
Integrated Microwave Technologies dba Vislink LLC (hereinafter designated Contractor).  
**(company name)**

WITNESSETH:

The Contractor and the County agree that the bid and specifications for the **Installation of Transmitter and Receiver** which are hereto attached and made a part hereof, together with this instrument and the bond (when required) shall constitute the full agreement and contract between parties and for furnishing the items set out and described; the County agrees to pay the prices stipulated in the accepted bid.

It is further agreed that this contract shall not become binding or effective until signed by the parties hereto and a purchase order authorizing the items desired has been issued.

Executed at Richmond, Texas this 3 day of November 2020.



**Fort Bend County, Texas**

By: \_\_\_\_\_  
**County Judge, KP George**

By: \_\_\_\_\_  
**Signature of Contractor**

By: Jim McGowan, GM, MilGov Business Unit  
**Printed Name and Title**



# HDX-1100

## Aircraft Downlink High Power Transmitter

Vislink's V-Net Solution collects, manages, and distributes mission critical actionable intelligence for crisis response. This end-to-end solution transmits video, voice, and data from the field to the decision makers who need it most.

Airborne video surveillance plays a pivotal role in law enforcement, public safety, homeland security, and defence operations. The ability to view the tactical situation from the air minimizes response time and optimizes officer safety. VNet provides real-time images from your air support unit direct to command personnel. V-Net's advanced technology allows aircraft to operate over a wide geographic area while ground based receiver sites are automatically selected to consistently deliver the best possible imagery.

The HDX-1100 is a fully integrated, high-powered microwave transmitter, based on aircraft industry standards for ruggedness, size, and weight. Highly efficient H.264/MPEG-4 encoding is a standard feature, and MPEG-2 encoding is an available option to provide both capabilities.



Aircraft Downlink HD/SD High Power Transmitter

### High Performance Advanced Features

- RangeMaster™ maximizes the transmission range, and sends video signals up to four times farther than COFDM/DVB-T transmission.
- DoubleVision™ supports dual simultaneous SD video feeds through a single HDX-1100 transmitter.

### Key Features

- Minimal Weight and Rugged Packaging
- Touch Screen User Interface
- Video/Audio/Data Transmission
- Multiple Encryption Algorithms

### Benefits

- Minimal Weight Design (9.2 lbs.)
- Flexible Software Defined Surveillance
- HD/SD Formats
- Field Upgradable Features
- H.264 AVC SD/HD Encoding BL/ML/HL Profiles
- MPEG-2 Encoding (Optional)
- Multiple Modulation Schemes
- Wide Range Voltage Input
- Remote Control Panel DZUS Mounted (Optional)
- User Defined Presets

### Typical Applications

- Air-to-Ground Video Downlink
- Strategic and Tactical
- Rotary and Fixed Wing
- Marine



# datasheet

at the heart of the action

## General

### Modulation

- DVB-T (standard) 6/7/8 MHz bandwidth COFDMEN300744, QPSK, 16QAM, 64QAM

## Video Encoding

### H.264/MPEG-4

- SD/HD (standard feature)

### AVC/MPEG - 4 (Part 10)

- Profiles supported:
  - Baseline profile
  - Main profile
  - Hi-Profile

### Video Bit Rates

- 1.5 to 20 Mbps

### MPEG-2

- SD/HD (available option)
- Profiles supported:
  - SP@ML, 4:2:0
  - MP@HL, 4:2:0
- Video Bit Rates:
  - Up to 15 Mbps SD
  - Up to 30 Mbps HD

## Controls

### Local Interface

- Touch screen LCD – configuration and display

### Power Switch/Circuit Breaker

- Web Browser Configurator (RJ45 Connection)

### Configurable Pre-sets

- 9 user-selectable configurations

## Standard Equipment

- DC Power Connector
- CD-ROM User Manual
- Multi-Conductor Breakout Cable

## Video Input Format

### Analog Composite

- (1 V p/p TIA/EIA RS170):
  - 720 x 480i NTSC 525
  - 720 x 576i PAL 625

### SDI

- (SMPTE 259M - 270 Mbps):
  - 720 x 480i @ 25/30 FPS
  - 720 x 576i @ 25/30 FPS

### HD-SDI

- (SMPTE 292M - 1.5 Gbps)
  - 1920 x 1080p @ 24, 25, 29.97, or 30 FPS
  - 1920 x 1080i @ 24, 25, 29.97, or 30 FPS
  - 1280 x 720p @ 50, 59.94, or 60 FPS

## Power Consumption

### L & S Band

- 95 Watts max.

### C-Band

- 95 Watts max.

### X-Band

- 95 Watts max.

## Power Output

### L- & S-Band

- 8W

### C- & X-Band

- 5W

## Available Accessories & Options

- AC Power Supply
- Cockpit Remote Control Unit, DZUS Mount
- Night Vision Filter (optional)

## ASI

- 188 byte, EN50083-9

## Wayside Data:

- Up to 115.2 kbps (serial)
- Ethernet (option)

## Audio

### Line Level

- 0 dbm nominal

### Line Impedance

- 600Ω unbalanced

## Encryption

- AES 128 & 256; BISS 1 and E; and Bcrypt1 128 & 256

## Regularity

- FCC: Parts 15,90,74,101
- RTCA: DO-160F

## Frequency Parameters

### Frequency Stability

- 2.5 ppm

### Frequency Step Size

- 250 kHz

## Frequency Band

- L:
  - 1.7 - 1.9 GHz
- S:
  - 2.1 - 2.5 GHz
- C1:
  - 3.1 - 3.5 GHz
- C2:
  - 4.4 - 5.0 GHz
- C3:
  - 6.425 - 6.525 GHz
- X:
  - 8.1 - 8.5 GHz

Ask us about other options.

## Environmental

### Operating temperature

- -10°C to +50°C (+14°F to +122°F)

### Storage temperature

- -40°C to +75°C (-40°F to +167°F)

### Humidity

- 0 to 95% relative (non-condensing)

### Altitude

- 20,000 ft. (6,000 m)

| Interface           |   | Connector Type                                  |
|---------------------|---|---|
| RF Output           |   | N-Type (Female) 50Ω                             |
| Video Input         | <ul style="list-style-type: none"> <li>• Video 1 - NTSC/PAL composite</li> <li>• Video 2 - NTSC/PAL composite (MPEG-4 DoubleVision mode only) SD-SDI or HD-SDI (configurable)</li> <li>• ASI - Input from external encoder</li> </ul> | BNC (Female)                                    |
| DC Power/Control    | <ul style="list-style-type: none"> <li>• DC Power Input: +10 to +32V</li> <li>• RS232: I/O for remote control panel or PC interface Wayside Data Input</li> <li>• Audio 1 &amp; 2 Input</li> </ul>                                    | 26-pin Chassis receptacle (Bendix PT-02-16-26P) |
| Setup & Maintenance | <ul style="list-style-type: none"> <li>• 10/100 web browser interface</li> </ul>  | RJ-45 (10/100)                                  |

Fort Bend County Sheriff's Office

Aerial Image of Jail Tower and Surrounding Buildings

1410 Williams Way Blvd Richmond, Texas 77469



**6-Way Diversity Antennae**

Mounted on stand alone rack. Antenna will be placed where the blue dot indicates. Power and Ethernet will use existing conduit.

Fort Bend County Sheriff's Office

Aerial Image- Top of Jail Tower

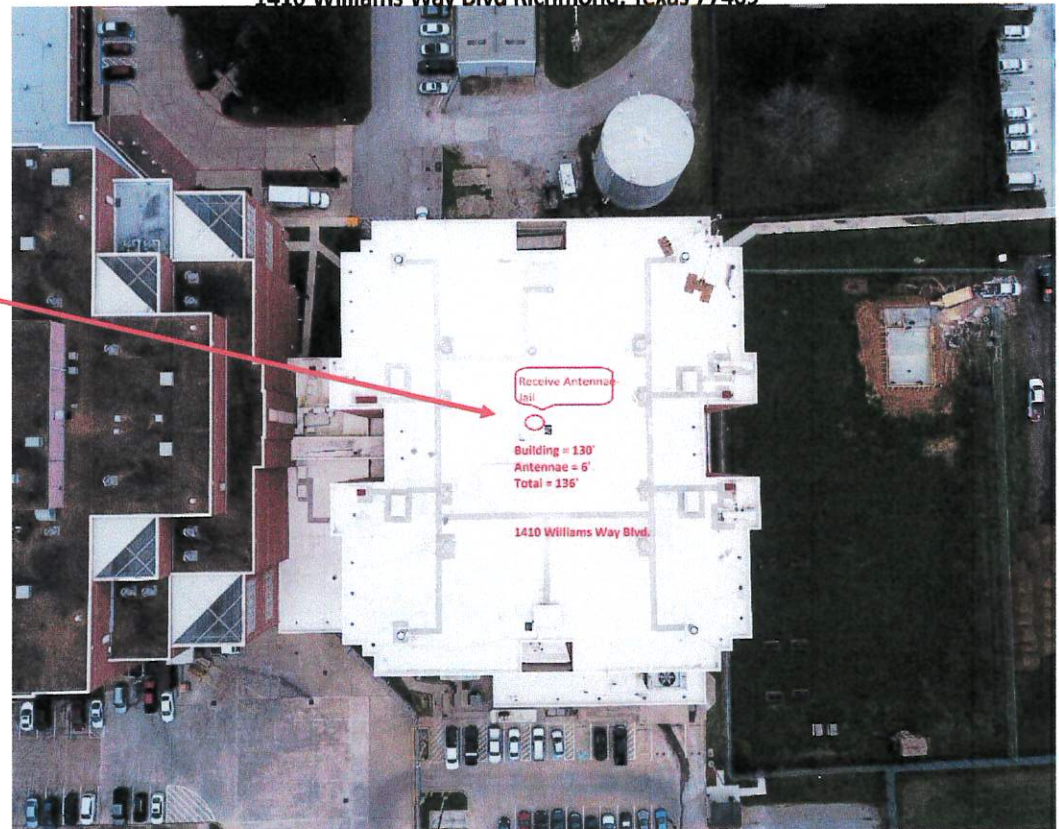
1410 Williams Way Blvd Richmond, Texas 77469

Aerial picture of where the *6-way receiver* would be placed.

From ground to roof, is 130'

Antennae is 6' tall

Total height of building plus antennae = 136'



**Fort Bend County Sheriff's Office**

**Jail Tower, Ground Level Image**

**1410 Williams Way Blvd Richmond, Texas 77469**



*Antennae* would be placed in the center of

Antennae will be mounted on top of the  
Fort Bend Count Jail Tower

Fort Bend County Sheriff's Office

Antennae

1410 Williams Way Blvd Richmond, Texas 77469

*Ciras-X6 Diversity Antennae*

13.7"H x 11.7"D

20lbs



*W*

**Fort Bend County Sheriff's Office**

**Mobile Command Vehicle**

**1410 Williams Way Blvd Richmond, Texas 77469**

The Mobile Command Post receiver will be mounted inside the Mobile command Vehicle and towards the rear

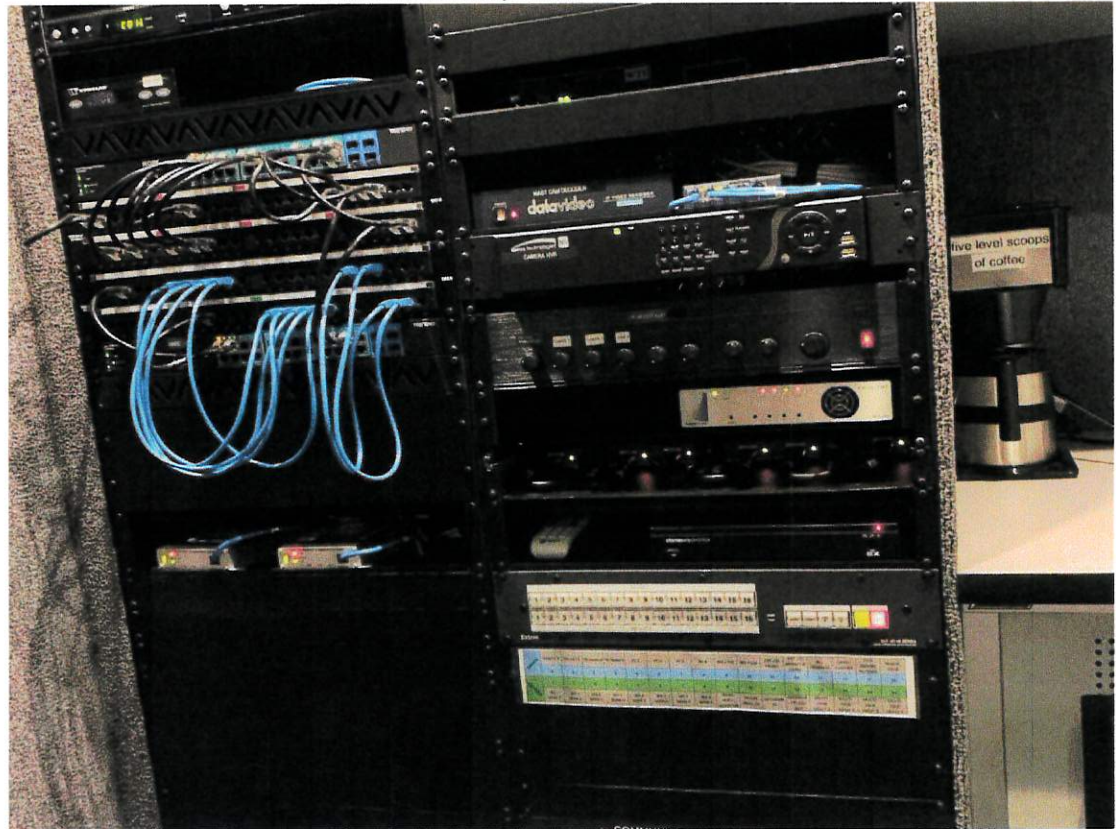


Fort Bend County Sheriff's Office

Mobile Command Post

1410 Williams Way Blvd Richmond, Texas 77469

*Mobile Command Post Receiver* would be mounted inside the vehicles radio rack



hr

Fort Bend County Sheriff's Office

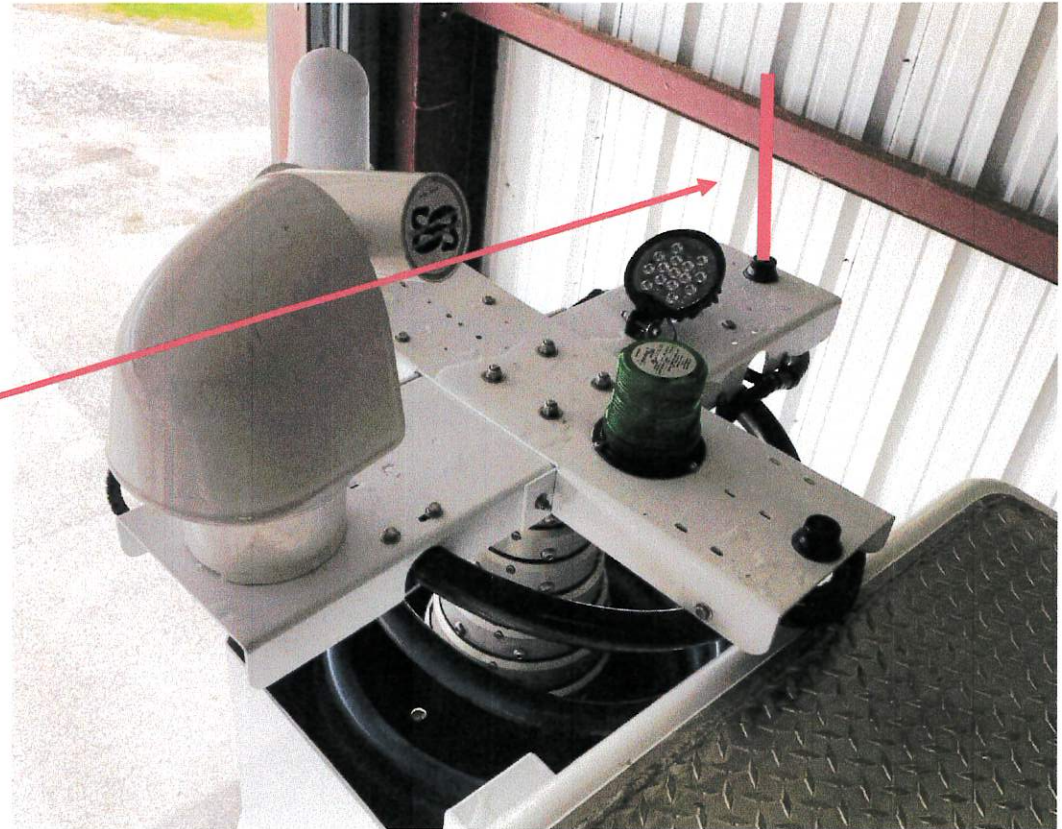
Mobile Command Vehicle Rear

1410 Williams Way Blvd Richmond, Texas 77469

Elevating Mast located on the rear of the  
Mobile Command Post.

Extends approximately 45'

Omni Antennae would mount on top of mast



**Fort Bend County Sheriff's Office**

**Helicopter N259FB**

**1410 Williams Way Blvd Richmond, Texas 77469**

**The transmitter will be mounted in the rear storage compartment. Live video feed will then be transmitted to the Sheriff's Office and the Mobile Command Post**



A small, handwritten signature in blue ink is located in the bottom left corner of the page.

Fort Bend County Sheriffs Office  
Helicopter Transmitter  
1410 Williams Way Blvd Richmond, Texas 77469

N259FB is an Bell OH58 Helicopter  
6.5 GHz Transmitter would be mounted  
in rear storage compartment.



Fort Bend County Sheriffs Office  
Helicopter Underbelly  
1410 Williams Way Blvd Richmond, Texas 77469

*6.5 GHz Omni Antennae* would be placed on  
the Helicopters rear skid.



## Request for Taxpayer Identification Number and Certification

**Give Form to the  
 requester. Do not  
 send to the IRS.**

▶ Go to [www.irs.gov/FormW9](http://www.irs.gov/FormW9) for instructions and the latest information.

|  |  |   |
|--|--|---|
| Print or type.<br>See Specific Instructions on page 3. | 1 Name (as shown on your income tax return). Name is required on this line; do not leave this line blank.<br><b>Integrated Microwave Technology, LLC/DBA Vislink</b>   |   |
|  | 2 Business name/disregarded entity name, if different from above<br>(Same as line 1)   |   |
|  | 3 Check appropriate box for federal tax classification of the person whose name is entered on line 1. Check only one of the following seven boxes.<br><input type="checkbox"/> Individual/sole proprietor or single-member LLC<br><input type="checkbox"/> C Corporation<br><input type="checkbox"/> S Corporation<br><input type="checkbox"/> Partnership<br><input type="checkbox"/> Trust/estate<br><input checked="" type="checkbox"/> Limited liability company. Enter the tax classification (C=C corporation, S=S corporation, P=Partnership) ▶ <b>C</b><br><small>Note: Check the appropriate box in the line above for the tax classification of the single-member owner. Do not check LLC if the LLC is classified as a single-member LLC that is disregarded from the owner unless the owner of the LLC is another LLC that is not disregarded from the owner for U.S. federal tax purposes. Otherwise, a single-member LLC that is disregarded from the owner should check the appropriate box for the tax classification of its owner.</small><br><input type="checkbox"/> Other (see instructions) ▶ | 4 Exemptions (codes apply only to certain entities, not individuals; see instructions on page 3):<br>Exempt payee code (if any) _____<br>Exemption from FATCA reporting code (if any) _____<br><small>(Applies to accounts maintained outside the U.S.)</small> |
|  | 5 Address (number, street, and apt. or suite no.) See instructions.<br><b>101 Bilby Road Ste 15 Bldg 2</b>   | Requester's name and address (optional)   |
|  | 6 City, state, and ZIP code<br><b>Hackettstown, NJ 07840</b>   |   |
|  | 7 List account number(s) here (optional)   |   |

### Part I Taxpayer Identification Number (TIN)

Enter your TIN in the appropriate box. The TIN provided must match the name given on line 1 to avoid backup withholding. For individuals, this is generally your social security number (SSN). However, for a resident alien, sole proprietor, or disregarded entity, see the instructions for Part I, later. For other entities, it is your employer identification number (EIN). If you do not have a number, see *How to get a TIN*, later.

**Note:** If the account is in more than one name, see the instructions for line 1. Also see *What Name and Number To Give the Requester* for guidelines on whose number to enter.

|                                |   |   |   |   |   |   |   |   |   |
|--------------------------------|---|---|---|---|---|---|---|---|---|
| Social security number         |   |   |   |   |   |   |   |   |   |
|                                |   |   |   |   |   |   |   |   |   |
| or                             |   |   |   |   |   |   |   |   |   |
| Employer identification number |   |   |   |   |   |   |   |   |   |
| 3                              | 5 | - | 2 | 5 | 5 | 2 | 0 | 3 | 1 |

### Part II Certification

Under penalties of perjury, I certify that:

1. The number shown on this form is my correct taxpayer identification number (or I am waiting for a number to be issued to me); and
2. I am not subject to backup withholding because: (a) I am exempt from backup withholding, or (b) I have not been notified by the Internal Revenue Service (IRS) that I am subject to backup withholding as a result of a failure to report all interest or dividends, or (c) the IRS has notified me that I am no longer subject to backup withholding; and
3. I am a U.S. citizen or other U.S. person (defined below); and
4. The FATCA code(s) entered on this form (if any) indicating that I am exempt from FATCA reporting is correct.

**Certification instructions.** You must cross out item 2 above if you have been notified by the IRS that you are currently subject to backup withholding because you have failed to report all interest and dividends on your tax return. For real estate transactions, item 2 does not apply. For mortgage interest paid, acquisition or abandonment of secured property, cancellation of debt, contributions to an individual retirement arrangement (IRA), and generally, payments other than interest and dividends, you are not required to sign the certification, but you must provide your correct TIN. See the instructions for Part II, later.

**Sign Here** Signature of U.S. person ▶

Date ▶ **3/10/2020**

### General Instructions

Section references are to the Internal Revenue Code unless otherwise noted.

**Future developments.** For the latest information about developments related to Form W-9 and its instructions, such as legislation enacted after they were published, go to [www.irs.gov/FormW9](http://www.irs.gov/FormW9).

### Purpose of Form

An individual or entity (Form W-9 requester) who is required to file an information return with the IRS must obtain your correct taxpayer identification number (TIN) which may be your social security number (SSN), individual taxpayer identification number (ITIN), adoption taxpayer identification number (ATIN), or employer identification number (EIN), to report on an information return the amount paid to you, or other amount reportable on an information return. Examples of information returns include, but are not limited to, the following.

- Form 1099-INT (interest earned or paid)

- Form 1099-DIV (dividends, including those from stocks or mutual funds)
- Form 1099-MISC (various types of income, prizes, awards, or gross proceeds)
- Form 1099-B (stock or mutual fund sales and certain other transactions by brokers)
- Form 1099-S (proceeds from real estate transactions)
- Form 1099-K (merchant card and third party network transactions)
- Form 1098 (home mortgage interest), 1098-E (student loan interest), 1098-T (tuition)
- Form 1099-C (canceled debt)
- Form 1099-A (acquisition or abandonment of secured property)

Use Form W-9 only if you are a U.S. person (including a resident alien), to provide your correct TIN.

*If you do not return Form W-9 to the requester with a TIN, you might be subject to backup withholding. See What is backup withholding, later.*





FORT BEND COUNTY

Richmond Texas

REF: Bid : B21-014 - Installation of Transmitter and Receiver

IMT-Vislink Ref Quote # T207574

| Item | Model/Part #  | Description   | Qty | Unit Price   | Ext Price    |
|------|---|---|-----|--------------|--------------|
|      |   | <b>HDX1100-6ghz Airborne Transmitter</b>  |     |              |              |
| 1    | 64HDX-5-NOMPEG2-NOIP-B3-NA-HDX-LPA-HDX-RC1-NV                   | Aircraft Transmitter -Frequency, Family, Power - TX,AIRCRAFT CERT ARINC H.264 MPEG-4 HD/SD 5W,6.4-6.5   | 1   | \$ 40,929.00 | \$ 40,929.00 |
| 2    | CO6466-6-NF-F-S1  | ANT,6.4-6.6 GHZ,6DBI, VERT, N,(F),FLANGE MT 12"L  | 1   | \$ 892.40    | \$ 892.40    |
| 3    | INTEGRATION.SVC.207574  | <b>HDX1100 Downlink System Integration and Commissioning prior to flight testing- Please note AIRCRAFT Transmitter INSTALLATION NEEDS TO BE PERFORMED BY FAA AUTHORIZED REPRESENTATIVE which IMT-Vislink is not.</b>  | 1   | \$ 2,500.00  | \$ 2,500.00  |
| 4    | 68CIRAS2-X6-M02-M05-B3-CIRAS2-ACC-STD-CIRAS-PM-ODU-ACC-GK-FP413 | Central Integrated Antenna Receive System 6 way -Frequency, Family -6.425 - 7.150GHz Dual Channel CIRAS COFDM Truck Mounted Receiver w/ integrated antenna<br>-Demodulation Options -COFDM DVB-T + 1.25MHz Nar. Band Demod<br>-Decryption -AES Decryption 256 Bit + 128 Bit<br>-Accessory Kit -CIRAS2 Dual Channel Accessory Kit<br>-Mounting Kit -CIRAS Pole Mount Kit<br>-Grounding Kit -Outdoor Unit Grounding Kit<br>-Frequency Plan -USA; VAR; 1Band; 6.4GHz for Law Enforcement | 1   | \$ 39,461.60 | \$ 39,461.60 |
| 5    | TSM-2020-SV   | Transport Stream Manager<br>-Hardware -TSM - 19" Rack Mount System<br>-Application -Single Controller/Decoder (Rack Computer Only)  | 2   | \$ 5,200.00  | \$ 10,400.00 |
| 6    | INTEGRATION.SVC.207574  | Vislink system integration.rooftop installation, contingent upon site survey and/or onsite photos   | 1   | \$ 17,850.00 | \$ 17,850.00 |

| <b>7</b> |  | <b>Mobile Command Downlink Receiver</b>  |   |              |                      |
|----------|--|--|---|--------------|----------------------|
| 8        | 68CRX2-ODU-M02-M05-B3-FP413-CRX2-ACC-STD-ODU-ACC-GK-CRX2-HTM | Central Receive Diversity X2<br>-Frequency, Family -6.425 - 7.150 GHz Central Rx Diversity X2, COFDM Outdoor Unit, Pole Mount Included<br>-Demodulation Options -COFDM DVB-T + 1.25MHz Nar. Band Demod<br>-Decryption -AES Decryption 256 Bit + 128 Bit<br>-Frequency Plan -USA; VAR; 1Band; 6.4GHz for Law Enforcement<br>-Accessory Kit -No Antennas, PoE, Power Supply, Cable Connector<br>-Grounding Kit -Outdoor Unit Grounding Kit<br>-Mounting Kit -CRX2F Heavy Tower Mount Kit | 1 | \$ 12,997.60 | \$ 12,997.60         |
| 9        | 1032-014   | Bifilar, 6.25-6.75 GHz, 3T, 60.3% Pitch, 6 dBi, Spring Base, N/M,<br>8.81"L, .812" OC Flat Black   | 1 | \$ 960.00    | \$ 960.00            |
| 10       | 1085-0105  | Omni, 6.25-6.75 GHz, 5.1dBi, 4 Section Collinear, Spring Mount,<br>High Performance Vertical   | 1 | \$ 960.00    | \$ 960.00            |
| 11       | INTEGRATION ACC.207574                                       | <b>Mobile Command Post Installation</b><br>Mount CRX2 and Omni on Mobile command post. To be assessed upon site survey . Micellaneous supplies.  | 1 | \$ 5,000.00  | \$ 5,000.00          |
|          |  | Freight  | 1 | \$ 1,000.00  | \$ 1,000.00          |
|          |  | <b>TOTAL FOB, Destination</b>  |   |              | <b>\$ 132,950.60</b> |

### Extended Warranty / Maintenance

|                 |   |    |          |             |
|-----------------|---|----|----------|-------------|
|                 | <b>Adds 3 additional years for total of 5 year warranty.</b>            |    |          |             |
| 64HDX-5-EW3     | 1 Year Extended Warranty from 2nd Year Warranty, 3 Years Total -        | \$ | 4,066.00 | \$ 4,066.00 |
| 64HDX-5-EW4     | Year Extended Warranty from 3rd Year Extended Warranty, 4 Years Total - | \$ | 4,574.00 | \$ 4,574.00 |
| 64HDX-5-EW5     | Year Extended Warranty from 4th Year Extended Warranty, 5 Years Total - | \$ | 5,337.00 | \$ 5,337.00 |
| 68CIRAS2-X6-EW3 | 1 Year Extended Warranty from 2nd Year Warranty, 3 Years Total -        | \$ | 3,680.00 | \$ 3,680.00 |

|                 |  |   |              |              |
|-----------------|--|---|--------------|--------------|
| 68CIRAS2-X6-EW4 | 1 Year Extended Warranty from 3rd Year Extended Warranty, 4 Years Total -  |   | \$ 4,140.00  | \$ 4,140.00  |
| 68CIRAS2-X6-EW5 | 1 Year Extended Warranty from 4th Year Extended Warranty, 5 Years Total  |   | \$ 4,830.00  | \$ 4,830.00  |
| TSM-2020-SV-EW3 | 1 Year Extended Warranty from 2nd Year Warranty, 3 Years Total   |   | \$ 520.00    | \$ 520.00    |
| TSM-2020-SV-EW4 | 1 Year Extended Warranty from 3rd Year Extended Warranty, 4 Years Total  |   | \$ 585.00    | \$ 585.00    |
| TSM-2020-SV-EW5 | Year Extended Warranty from 4th Year Extended Warranty, 5 Years Total  |   | \$ 683.00    | \$ 683.00    |
| 68CRX2-ODU-EW3  | 1 Year Extended Warranty from 2nd Year Warranty, 3 Years Total   |   | \$ 1,020.00  | \$ 1,020.00  |
| 68CRX2-ODU-EW4  | 1 Year Extended Warranty from 3rd Year Extended Warranty, 4 Years Total  |   | \$ 1,148.00  | \$ 1,148.00  |
| 68CRX2-ODU-EW5  | Year Extended Warranty from 4th Year Extended Warranty, 5 Years Total  |   | \$ 1,339.00  | \$ 1,339.00  |
|                 | <b>Annual Maintenance 3 Days on Site</b>   |   |              |              |
| Service         | YEARLY MAINTENANCE- Consists of 1 Solution Engineer On Site for 3 Days to perform testing, and wellness check of Equipment. Annual Maintenance Wellness check<br>2.1 SERVICE 1 12,400.00 12,400.00<br>ONE TECHNICIAN ON-SITE FOR THREE (3) DAYS FOR PRODUCT MAINTENANCE AND REPAIR. IF MORE TIME IS NEEDED, IT WILL BE BILLED SEPARATELY.<br>INCLUDES: Travel, Labor, Airfare, Hotel per Diem. | 1 | \$ 12,400.00 | \$ 12,400.00 |

submitted by: Linda Sousa  
Regional Sales Manager  
Email: [Linda.sousa@vislink.com](mailto:Linda.sousa@vislink.com)

# CIRAS-X6

## Central Integrated Radome Antenna System

### 6-way MaxRC COFDM Receiver



#### Features:

- Six input maximal ratio combining diversity receiver
- 6 Vertical polarized antennas with 14 dBi per panel gain for 360 receive
- 2 Uplook antennas (optional)
- Integrated 2:6 way diversity COFDM receiver
- Adaptive digital processing
- Rugged polycarbonate radome (IP66)
- Power Over IP
- eLink dedicated controller decoder
- IP Streaming of MPEG TS
- Web GUI

#### Options

- AES Decryption (BCRYPT)
- Internal GPS with mapping
- DR3 Controller decoder
- Cube monitor decoder
- VNet video management

#### Accessories:

- 120/240VAC power supply
- Power Integrated Ethernet Cable

#### Applications

- Airborne down link
- Central receive
- Command vehicle receive
- Surveillance, firefighting, SWAT, public safety, and homeland security

A completely new concept in central receive systems, the IMT Central Integrated Radome System x6 receiver (CIRAS-x6) combines a six-way high gain antenna system with the latest diversity receiver technology, all in one, easy to install package. It offers cutting edge RF performance in a durable IP66 rated outdoor housing. It is particularly well suited to helicopter video downlink and electronic newsgathering operations, as well as any application where ease of operation and reliable reception are required.

The IMT CIRAS system was designed to automatically optimize the receive signal at all times, and virtually eliminate all human intervention. In contrast to the old single, highly directional antenna, the CIRAS employs multiple antenna elements that are arranged to cover 360° of azimuth in overlapping sectors. The key to IMT's success is improving operation efficiency in signal acquisition. IMT focuses its approach on the integration and optimization of the antenna design, use of adaptive digital signal processing (ADSP) and maximal ratio combining (MRC) techniques. In the past, these three areas have been treated and controlled independently. By combining and optimizing these areas, IMT is able to provide a new class of fully autonomous Central Receiving Systems that provide significant value and efficiency to the industry.

The IMT CIRAS-X6 features a compact, lightweight rugged IP rated chassis making it equally suited to rooftop, tower, vehicle or portable applications. The CIRAS-X6 uses Ethernet for control and power as well as providing MPEG Video Over IP transport Stream, eliminating the need for expensive RF and control cables. CIRAS-X6 sends the MPEG Transport Stream by Ethernet cable to a local decoder, video management system and/or a network distribution center. Smaller, less expensive cables minimizes installation costs. Interference from strong signals from nearby transmitters getting into RF cables is eliminated. The small radome and light weight make it the perfect receiver to use with pneumatic masts on emergency vehicles.

All CIRAS-x6 functions are monitored and controlled through an intuitive web GUI. No standalone control system is required. Simply select the channel, and the CIRAS-x6 automatically detects the bandwidth, modulation, spectrum and encryption keys. CIRAS-x6 is just one part of IMT's eLink ecosystem. eLink coordinates and combines reception from multiple receivers. As transmitter travels beyond the range of one receiver, reception is handed off to another. eLink silently and transparently switches to the new receiver without any video glitches.

# CIRAS-X6

## Central Integrated Radome 6-way MaxRC COFDM Receiver

### RF Performance:

| Base Part Number | Frequency (GHz) | Power Consumption (W) |
|------------------|-----------------|-----------------------|
| 18/23CIRAS-x6    | 1.750 - 2.400   | 20                    |
| 23CIRAS-x6       | 2.025 - 2.484   | 20                    |
| 47CIRAS-x6       | 4.400 - 5.000   | 25                    |
| 65CIRAS-x6       | 6.425 - 6.525   | 25                    |
| 70CIRAS-x6       | 6.425 - 7.150   | 25                    |

Not all bands may have been tested for FCC compliance; please consult the factory.

Tuning step size: .....250 KHz step size standard  
.....100 KHz step size optional  
Frequency stability: .....± 10ppm

### Demodulation Modes

auto detected within .....modulation format and Bandwidth

#### Modulation 1

Modulation Formats: .....COFDM (DVB-T)  
DVB-T .....Support all GI, CR, and Modulation  
Carriers: .....2K  
Bandwidth: .....6 MHz, 7 MHz, and 8 MHz  
.....Auto-detected

#### Modulation 2

Modulation Formats: .....COFDM  
Carriers: .....2K  
Constellation: .....QPSK  
Code Rate: .....1/2, 3/4  
Guard Interval: .....1/32  
Bandwidth: .....2.5 and 1.25MHz (SR Scaled DVB-T)  
.....Auto-detected

#### Modulation 3 ( Future Option)

Modulation Formats: .....COFDM (DVB-T2)  
Bandwidth: .....1.7MHz - 8 MHz

#### Diversity

Channels .....6 channel Maximum Ratio Combining

### System

Decryption (optional) .....AES 128/256 bit BCRYPT 1/2  
.....(FIPS PUB 197)  
Ethernet .....Stream TSolP UDP/RTP  
.....RTSP  
.....Unicast and multicast  
Control .....WEB control  
User Data: .....Serial over Ethernet (UDP)

### Power Requirements

Power Input: .....Power on Ethernet spare lines  
.....Pins 4/5 DC+  
.....Pins 7/8 Ground  
Power Input .....Fiber Option  
.....Two pin Amphenol  
.....DC: +9 to +32  
Power consumption .....See Table

### Environmental

#### Temperature range

Full specification: .....-30° to +60°C Ambient  
Storage: .....-40° to +80°C  
Humidity: .....0 to 95% non-condensing

#### Physical Characteristics (unit)

Size .....13.7"H x 11.7"D  
Weight: .....20lbs  
Ingress (by design) .....IP66  
Connectors .....RJ-45 (Ethernet)  
.....Fiber Optional

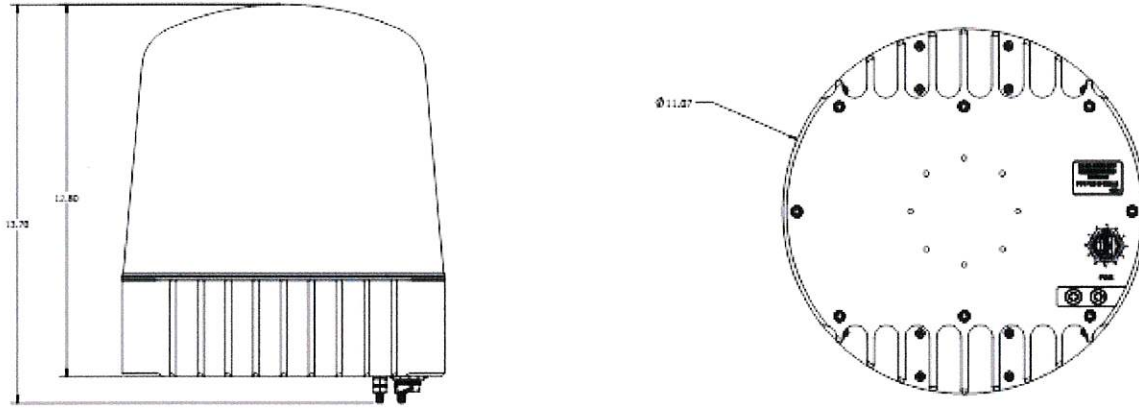
### Standard Accessories

- Power Supply
- Mounting Kit
- Ethernet Test Cable
- Ethernet Lighting Protection Box

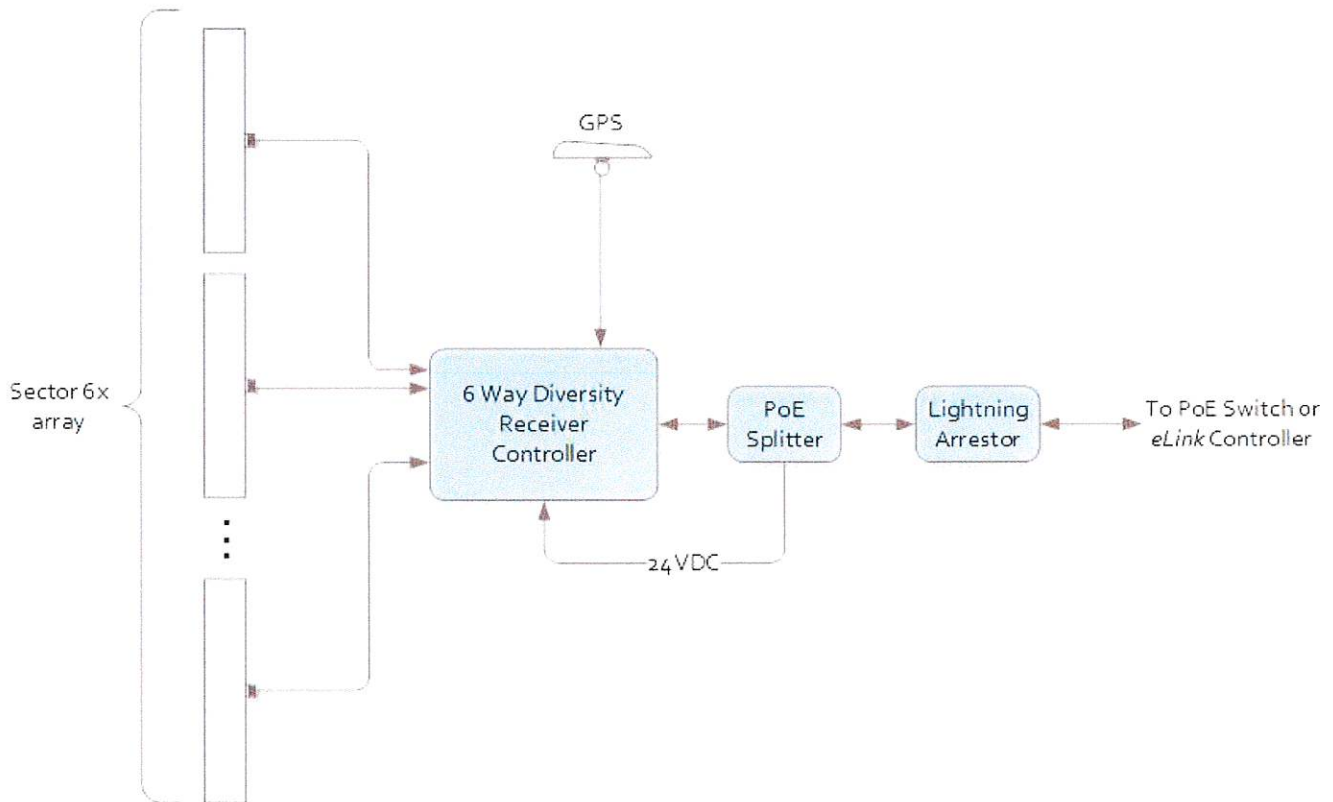
# CIRAS-X6

## Central Integrated Radome 6-way MaxRC COFDM Receiver

### Product Outline:



### Product Block Diagram:



# CIRAS-X6

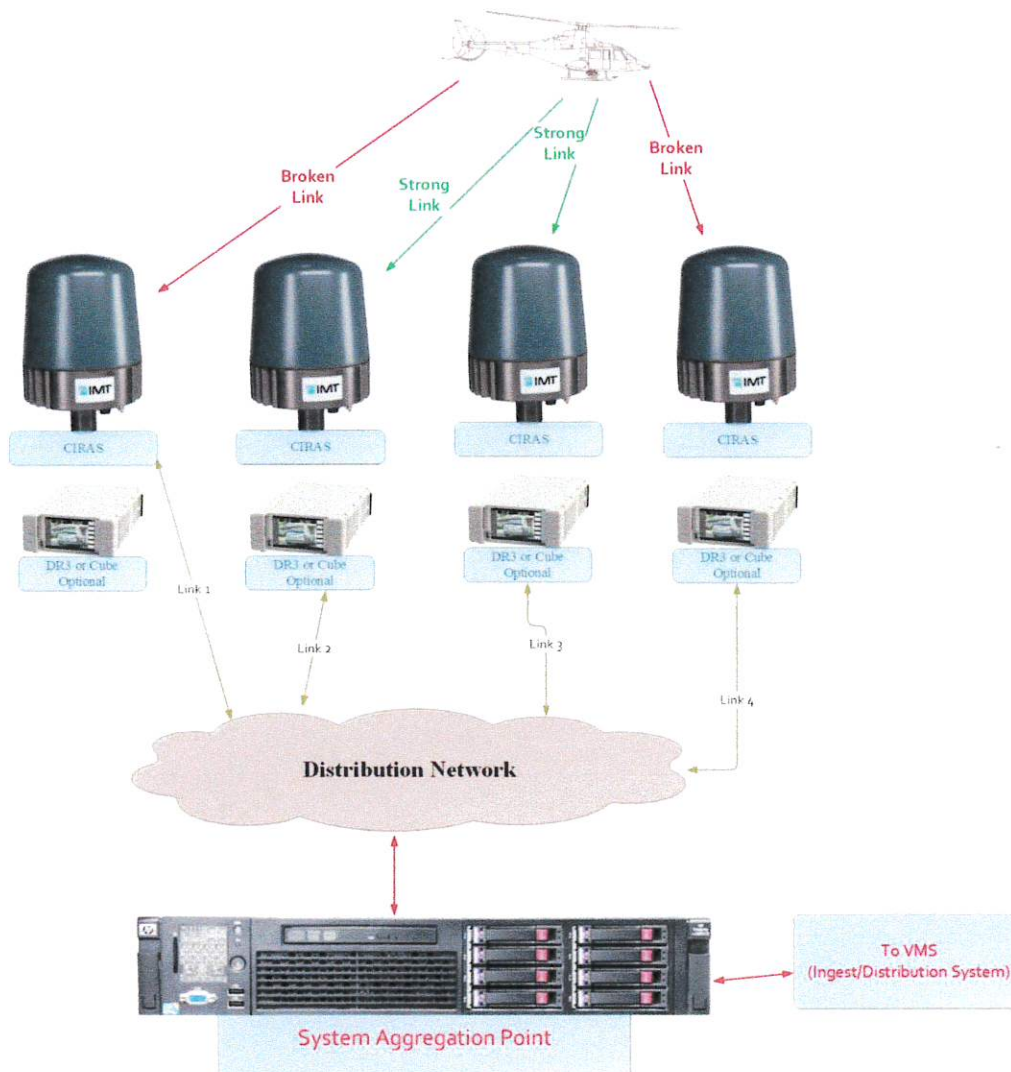
## IMT eLink Ecosystem

### eLink:

The IMT eLink is an ecosystem allowing coordination of receive systems components and transmitters. When using Ethernet/IP interconnects, the Diversity Receiver Controller or IMT IP Aggregator takes advantage of eLink technology, coordinating all the remote receivers. Statistics are consolidated and displayed on the OSD, and frequency synchronization is performed through a single interface. This coordination is automatically performed in the background, simplifying the user experience. The IP Aggregator acts as the central controller and transport stream aggregator for the downlink system components. The ecosystem includes:

- Packet diversity over IP
- Control and coordination of remote receivers
- Retiming and output coordination of aggregate transport stream
- Local GUI control and real time status, statistics and alarms
- Enhanced real time web pages
- Web page configuration

### System Diagram:



MT reserves the right to make changes to specifications of products described in this datasheet at any time without notice and without obligation to notify any person of such changes.

06\_11

Integrated Microwave Technologies, LLC  
200 International Drive, Mt. Olive, NJ 07828 USA

T. +1.908.852.3700 F. +1.908.813.0399 [www.imt-government.com](http://www.imt-government.com)

## CIRAS

### High performance Options and Accessories



#### Integrated GPS Antenna

Frequency .....L1, 1575.42MHz  
GPS Protocol .....NMEA 0183  
Acquisition Rate .....1s Hot, 42s Cold  
Sensitivity .....-159dBm



#### DR3-Con (Diversity 3 Controller)

Local Control, Decode and eLink

Decoder .....H.264 High Profile  
.....MPEG 2  
Video Output .....HDMI  
Control .....Touch Screen GUI  
.....Webpage  
Streaming .....RTSP Server  
.....Unicast, Multicast  
.....Manual  
Input .....Transport Stream via RJ45

#### Cube Control

Local Decoder Monitor

Decoder .....H.264 High Profile  
.....MPEG 2  
Video Output .....HDMI  
Input .....Transport Stream via RJ45



## HDX-1100

### Aircraft Downlink High Power Transmitter

Vislink's **V-Net Solution** collects, manages, and distributes mission critical actionable intelligence for crisis response. This end-to-end solution transmits video, voice, and data from the field to the decision makers who need it most.

Airborne video surveillance plays a pivotal role in law enforcement, public safety, homeland security, and defense operations. The ability to view the tactical situation from the air minimizes response time and optimizes officer safety. V-Net provides real-time images from your air support unit direct to command personnel. V-Net's advanced technology allows aircraft to operate over a wide geographic area while ground based receiver sites are automatically selected to consistently deliver the best possible imagery.

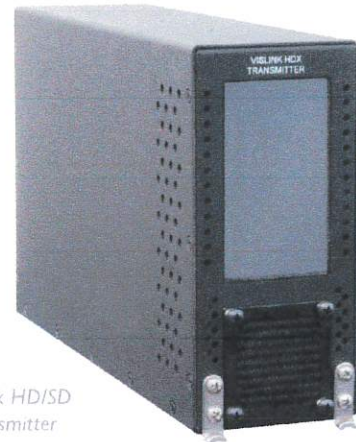
The HDX-1100 is a fully integrated, high-powered microwave transmitter, based on aircraft industry standards for ruggedness, size, and weight. Highly efficient H.264/MPEG-4 encoding is a standard feature, and MPEG-2 encoding is an available option to provide both capabilities.

#### HIGH PERFORMANCE ADVANCED FEATURES

- RangeMaster™ maximizes the transmission range, and sends video signals up to four times farther than COFDM/DVB-T transmission.
- DoubleVision™ supports dual simultaneous SD video feeds through a single HDX-1100 transmitter.

#### Key Features

- Minimal Weight and Rugged Packaging
- Touch Screen User Interface
- Video / Audio / Data Transmission
- Multiple Encryption Algorithms



*Aircraft Downlink HD/SD  
High Power Transmitter*

#### BENEFITS

- Minimal Weight Design (9.2 lbs.)
- Flexible Software Defined Surveillance
- HD / SD Formats
- Field Upgradable Features
- H.264 AVC SD/HD Encoding BL/ML/HL Profiles
- MPEG-2 Encoding (Optional)
- Multiple Modulation Schemes
- Wide Range Voltage Input
- Remote Control Panel DZUS Mounted (Optional)
- User Defined Presets

#### Typical Applications

- Air-to-Ground Video Downlink
- Strategic and Tactical
- Rotary and Fixed Wing
- Marine

## SPECIFICATIONS

### GENERAL

#### Modulation

- DVB-T (standard) 6/7/8 MHz bandwidth COFDM-EN300-744, QPSK, 16QAM, 64QAM

### VIDEO ENCODING:

#### H.264/MPEG-4

- SD/HD (standard feature)

#### AVC/MPEG - 4 (Part 10)

- Profiles supported:
  - Baseline profile
  - Main profile
  - Hi-Profile
- Video Bit Rates
  - 1.5 to 20 Mbps

#### MPEG-2

#### SD/HD (available option)

- Profiles supported:
  - SP@ML, 4:2:0
  - MP@HL, 4:2:0
- Video Bit Rates:
  - Up to 15 Mbps SD
  - Up to 30 Mbps HD

### ENVIRONMENTAL

#### Operating temperature

- +14° F to +122° F [-10° C to +50° C]

#### Storage temperature

- -40° F to +167° F [-40° C to +75° C]

#### Humidity

- 0 to 95% relative (non-condensing)

#### Altitude

- 20,000 ft / 6,000 m

### POWER OUTPUT

| Band | Frequency |
|------|-----------|
| L    | 8W        |
| S    | 8W        |
| C1   | 5W        |
| C2   | 5W        |
| C3   | 5W        |
| X    | 5W        |

### POWER SOURCE

#### DC Input

- +10V to +32V

### STANDARD EQUIPMENT

- DC Power Connector
- CD-ROM User Manual
- Multi-Conductor Breakout Cable

### VIDEO INPUT FORMAT

#### Analog Composite

- (1 V p/p TIA/EIA RS170)
- 720 x 480i NTSC 525
- 720 x 576i PAL 625

#### SDI

- (SMPTE 259M - 270 Mbps)
- 720 x 480i @ 25/30fps
- 720 x 576i @ 25/30fps

#### HD-SDI

- (SMPTE 292M - 1.5 Gbps)
- 1920 x 1080p @ 24, 25, 29.97, or 30 FPS
- 1920 x 1080i @ 24, 25, 29.97, or 30 FPS
- 1280 x 720p @ 50, 59.94, or 60 FPS

### MECHANICAL

#### Material

- Aluminum housing

#### Dimensions

- 3.56" W x 12.65" L x 7.62" H (9.60cm W x 32.19cm L x 19.35cm H)

#### Weight

- 9.2 lbs (4.2 kg)

### AVAILABLE ACCESSORIES & OPTIONS

- AC Power Supply
- Cockpit Remote Control Unit, DZUS Mount
- Night Vision Filter (optional)

### Encryption

- AES 128 & 256; BISS 1 and E; and Bcrypt1 128 & 256

### ASI

- 188 byte, EN50083-9

### Wayside Data

- Up to 115.2 kbps (serial)

### Ethernet (option)

### AUDIO

#### Line Level:

- 0 dbm nominal

#### Line Impedance:

- 600 Ω unbalanced

### CONTROLS

#### Local Interface

- Touch screen LCD – configuration and display
- Power Switch / Circuit Breaker

#### Web Browser Configurator

- (RJ-45 Connection)

#### Configurable Presets

- 9 user selectable configurations

### REGULATORY

- FCC: Parts 15.90,74.101
- RTCA: DO-160F

### FREQUENCY PARAMETERS

#### Frequency Stability

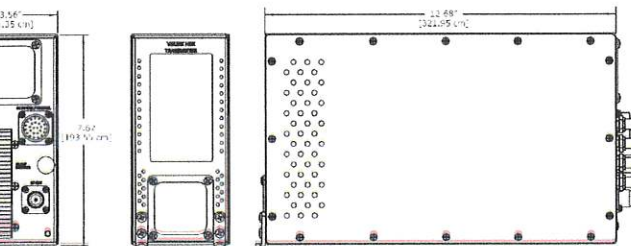
- 2.5 ppm

#### Frequency Step Size

- 250 KHz

#### Bands

| Band                             | Frequency          |
|----------------------------------|--------------------|
| L                                | 1.7 to 1.9 GHz     |
| S                                | 2.1 to 2.5 GHz     |
| C1                               | 3.1 to 3.5 GHz     |
| C2                               | 4.4 to 5.0 GHz     |
| C3                               | 6.425 to 6.525 GHz |
| X                                | 8.1 to 8.5 GHz     |
| Optional Bands (Consult Factory) |                    |



### CONNECTIONS

| Interface  | Connector Type                                  |
|--|---|
| <b>RF Output</b>   | Type N female -50 Ω                             |
| <b>Video Input</b>   | BNC Female (4)                                  |
| <ul style="list-style-type: none"> <li>■ Video 1 - NTSC/PAL composite</li> <li>■ Video 2 - NTSC/PAL composite (MPEG-4 DoubleVision mode only)</li> <li>■ SD-SDI or HD-SDI (configurable)</li> <li>■ ASI - Input from external encoder</li> </ul> |   |
| <b>DC Power / Control</b>  | 26 pin Chassis receptacle (Bendix PT-02-16-26P) |
| <ul style="list-style-type: none"> <li>■ DC Power Input: +10 to +32V</li> <li>■ RS232: I/O for remote control panel or PC interface</li> <li>■ Wayside Data Input</li> <li>■ Audio 1 &amp; 2 Input</li> </ul>                                    |   |
| <b>Set-up &amp; Maintenance</b>  | RJ-45 (10/100)                                  |
| <ul style="list-style-type: none"> <li>■ 10/100 web browser interface</li> </ul>   |   |



# CRx2

## Compact Receive x2 2-Way MaxRC COFDM Receiver



### Features:

- Integrated 2 way diversity COFDM receiver
- High Dynamic Range
- Single cable interface
- IP Streaming of MPEG TS
- Software configurable settings
- Webpage Control
- Pole mounting kit
- All Weather housing

### Options

- AES Decryption
- Fiber connection
- Multi Channel Simultaneous Receive(2x)
- Application Specific Antennas
- Hardware Controllers
- Contribution Grade Decoder
- Monitoring Grade Decoder

### Accessories:

- 120/240VAC power supply
- Cabling and mounting kit
- PoE Injector

### Applications

- Airborne down link
- Surveillance,
- Firefighting, SWAT, public safety
- homeland security

The IMT Compact Receiver X2 (CRX2) is a ruggedized COFDM (DVB-T compliant) two-way diversity central receiver. It offers exceptional RF performance and IP66 environmental durability for external use. The CRX2 is the new generation of receive systems. Typical diversity receive sites would have the antennas and LNA's or BDCs mounted at the top of the tower with coaxial cables running the length of the tower to a receiver and decoder. This design made the entire system susceptible to lightning and other EMI disturbances. By fully integrating the receiver, IMT has reduced the coaxial runs to one Ethernet cable, while decreasing the susceptibility to lightning and overall system costs.

The IMT CRX2 system was designed to automatically optimize the receive signal at all times, and virtually eliminate all human intervention. The Compact Receiver (CRX2) accepts 2 RF inputs from external antennas and features a compact, lightweight rugged IP rated chassis enabling it to be mounted on vehicles, towers or building tops in any weather conditions. The CRX2 sends the MPEG Transport Stream over IP either by an Ethernet cable or over ruggedized fiber to a computer-based software or hardware decoder and is powered via a single cable. The CRX2 also features optional 2 or 4 simultaneous RF channel, 2 way diversity reception. All of these features provide unequalled value in a high quality COFDM receiver.

A webpage controller is used to set-up and monitor the CRX2. The webpage controller features channel control, antenna receiver statistics, individual sector graphs and the ability to shut down specific antennas. For advanced functions such as changing frequency plans, AES decryption keys, or unit naming, an easy to use WEB based administration software package is supplied.

The CRX2 is compatible with IMT's *eLink* remote receiver interconnect. *eLink* enables an accessory controller/receivers to power, control and decode signals received by a single or multiple remote receivers. *eLink* enabled controllers include the DR3, BCRx, and MMCR. These receivers are traditionally fully integrated receivers but are extendable using the CRX2. These act as controller/decoders for the CRX2.

# CRX2

## 2-way MaxRC COFDM Central Receiver

### Specifications

#### RF Performance:

| Base Part Number | Frequency (GHz)            | Power Consumption (W) |
|------------------|----------------------------|-----------------------|
| 18/23CRX2        | 1.725-1.855<br>2.200-2.300 | 5                     |
| 23CRX2           | 2.025 - 2.500              | 5                     |
| 25CRX2           | 2.300 - 2.700              | 5                     |
| 47CRX2           | 4.500 - 5.000              | 8                     |
| 58CRX2           | 5.725 - 5.825              | 8                     |
| 68CRX2           | 6.425 - 7.150              | 8                     |
| 72CRX2           | 6.700 - 7.400              | 8                     |

Not all bands may have been tested for FCC compliance; please consult the factory.

Tuning step size: .....250 KHz step size standard

.....100 KHz step size optional

Frequency stability: .....± 10ppm

#### Demodulation Modes

auto detected within modulation format and Bandwidth

##### Modulation 1

Modulation Formats:.....COFDM (DVB-T)

DVB-T.....Support all GI, CR, and Modulation

Carriers:.....2K

Bandwidth:.....5MHz, 6 MHz, 7 MHz, and 8 MHz

##### Modulation 2

Modulation Formats:.....COFDM-NB

DVB-T.....Support all GI, CR, and Modulation

Carriers:.....2K

Bandwidth:.....2.5 and 1.25MHz (SR Scaled DVB-T)

##### Diversity

Channels.....2 channel Maximum Ratio Combining

#### System

Decryption (optional).....AES 128/256 bit BCRYPT 1/2  
.....(FIPS PUB 197)

Ethernet .....Stream TSolP UDP/RTP

.....RTSP

.....Unicast and multicast

Control.....WEB control

User Data:.....Serial over Ethernet (UDP)

#### Power Requirements

##### Cat-5 model

Power Input.....802.3at-2009

##### Fiber model

Power Input.....Over Fiber (Optional)

Input range:.....POE DC: 48VDC

#### Environmental

##### Temperature range

Full specification:.....-30° to +60°C Ambient

Storage:.....-40° to +80°C

Humidity:.....0 to 95% non-condensing

##### Physical Characteristics (unit)

Size .....8.5"W x 7.0"Hx3.5"D

Weight:.....6lbs

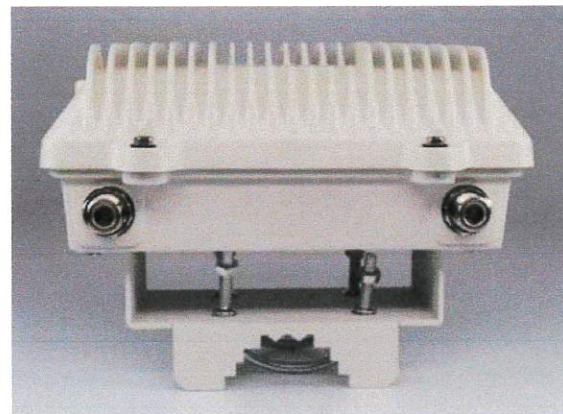
Ingress (by design).....IP65 (by design)

Connectors.....RJ-45 (Ethernet)

.....Fiber Optional

#### Standard Accessory

- POE Injector and lightning protection for ground
- Mounting Kit with detailed instructions
- Webpage browser for configuration and monitor
- User manual





## TSMS-2000

# TRANSPORT STREAM MANAGEMENT SYSTEM

TSMS-  
2000



## IP Aggregation, HD Decode and Video Dissemination in a 1RU Server

### Features IMT's eLink Intelligent Aggregation Algorithm

#### INTRODUCTION

The IMT Transport Stream management System (TSMS-2000) is used to collect, aggregate and distribute video captured from a single or multiple receive site application. Multiple observers may connect over any network including wired Ethernet, Wi-Fi, IP Satellite and IP cellular networks to view video. IMT's TSMS-2000 extends critical situational video to an unlimited number of observers. Video can be distributed over a secure IP network or the public internet. This is all accomplished in IMT's 1RU TSMS-2000 Server.

The TSMS controls and accepts video streams from IMT's family of IP diversity receivers. Using the IMT eLink Intelligent Aggregation Algorithm (IAA), the TSMS automatically down selects to the best receivers and reconstructs an error free IP stream. The TSMS-2000 continuously monitors all connected remote receivers, coordinates all receiver channels and acts as a single point interface. Meta data sent from each remote receiver enables the TSMS to analyze and manage the total system bandwidth, and preselect the best signal.

The VMS uses the reconstructed stream to adaptively transcode the received video into various standard streaming formats and distributes the video, audio and metadata to multiple viewing platforms. Viewing platforms range from a single PC, smartphones and notepads connected over a cellular network, or to an HD video wall. The TSMS also features a local, native resolution HD decoder with HDMI and SDI outputs for video monitoring.

The VMS accepts full-frame rate SD or HD video and properly scales the output video for the targeted viewing device and network conditions, ensuring unprecedented reliability. When streaming to an iPhone over a 3G/4G/LTE cellular connection, for example, the streaming video resolution is reduced to fit the iPhone resolution and the encoding bitrate is reduced appropriate for a 3G/4G/LTE connection. This maximizes the user experience and produces significant value while limiting data usage.

The VMS supports the latest in delivery profiles including Apple® HLS, MPEG-DASH, Adobe® HDS and Microsoft® Smooth streaming, without requiring any proprietary software viewers.

#### Features:

- IP Aggregation
- Central control of remote receive sites
- ABR—Adaptive Bitrate Transcoding
- Share video over secure network
- Encrypted video
- Distribute over public internet
- Intuitive Webpage Control
- 1RU Server
- Unlimited users

#### Options:

- IP Aggregation
- Local HD Decoder
- Adaptive Bitrate Transcoding

#### Applications

- Airborne
- Surveillance
- Sport and Arena Coverage

#### Companion Products

- CIRAS
- CRX6
- CRX2

#### IMT Headquarters

101 Bilby Road, Suite 15 BLDG-2  
Hackettstown, NJ 078240 USA

Tel: + 1 908 852 3700

FAX: + 1 908 813 0399

### HARDWARE:

Physical ..... Industrial 1RU 19" Case  
 Processor ..... Intel Pentium i7-6700 8 core processor  
 ..... 8MB of Cache  
 ..... Turbo boost technology  
 RAM ..... 8GB DDR4  
 Storage ..... 2 each SATA III 500GB  
 Voltage Input ..... AC 100-270VDC  
 Audio/Video Outputs ..... HDMI  
 ..... DVI-D  
 USB ..... 4 x USB 2.0  
 ..... 8 x USB 3.0  
 LAN ..... Onboard Dual Gigabit LAN  
 ..... 10/100/1000 Mb/s x 2  
 Operating Temperature ..... 0 - 55° C  
 Size ..... 1 x 19 inch rack unit

### Transcoding

Input Protocols ..... MPEG-TS  
 ..... RTSP/RTP  
 ..... Adobe RTMP  
 ..... SHOUTcast/Icecast  
 Trans-size/rate ..... 1080p/3Mbps  
 ..... 720p/2Mbps  
 ..... 480p/1Mbps

.....360p/900kbps  
 .....240p/400kbps  
 .....160p/<250kbps  
 Output Protocols ..... MPEG-TS  
 ..... RTSP/RTP  
 ..... Apple HLS  
 ..... Microsoft Smooth Streaming  
 ..... MPEG-DASH  
 ..... Adobe HDS  
 ..... Adobe RTMP

### Input Codecs

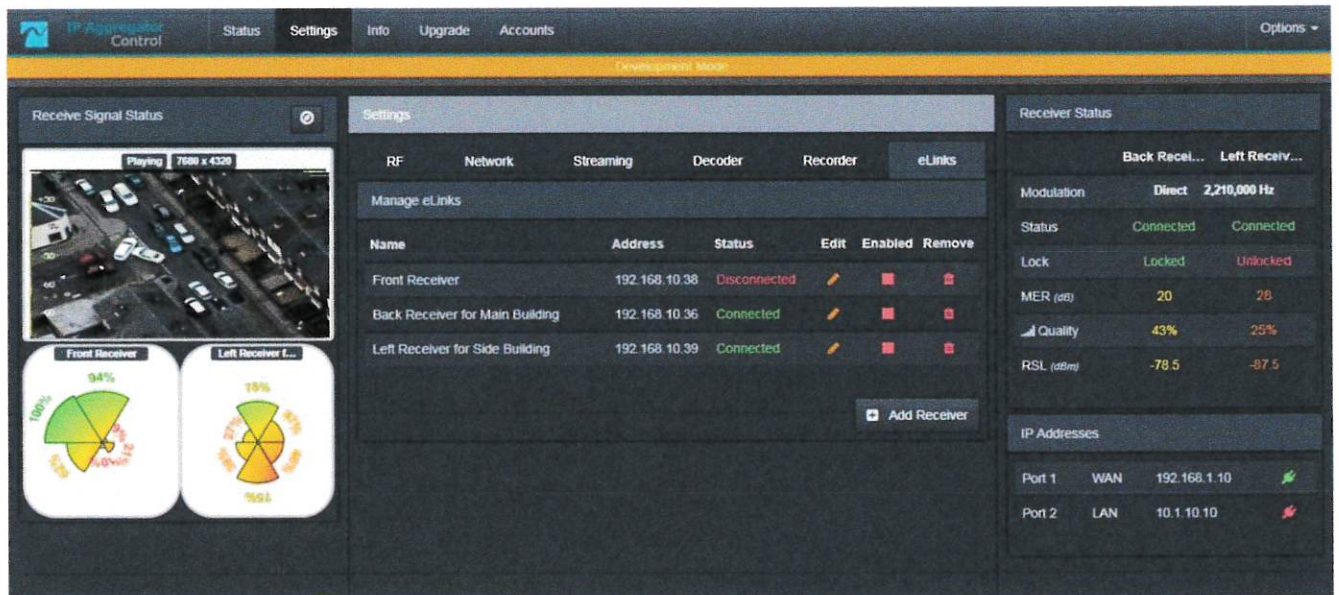
Video ..... H.264/AVC  
 ..... VP9, VP8  
 ..... MPEG2  
 Audio ..... MP3, ACC, MPEG 1

### MPEG Decoder

#### Video

Video Coding: ..... MPEG-4 Part 10/H.264  
 Video Input: ..... HD/SD SDI  
 ..... HDMI  
 Video Formats ..... 720p 59.94, 1080i 59.94  
 ..... 720p 50, 1080i 50

### Webpage Control



The screenshot shows the 'IP Aggregator Control' web interface. The top navigation bar includes 'Status', 'Settings', 'Info', 'Upgrade', 'Accounts', and 'Options'. The main content area is divided into several sections:

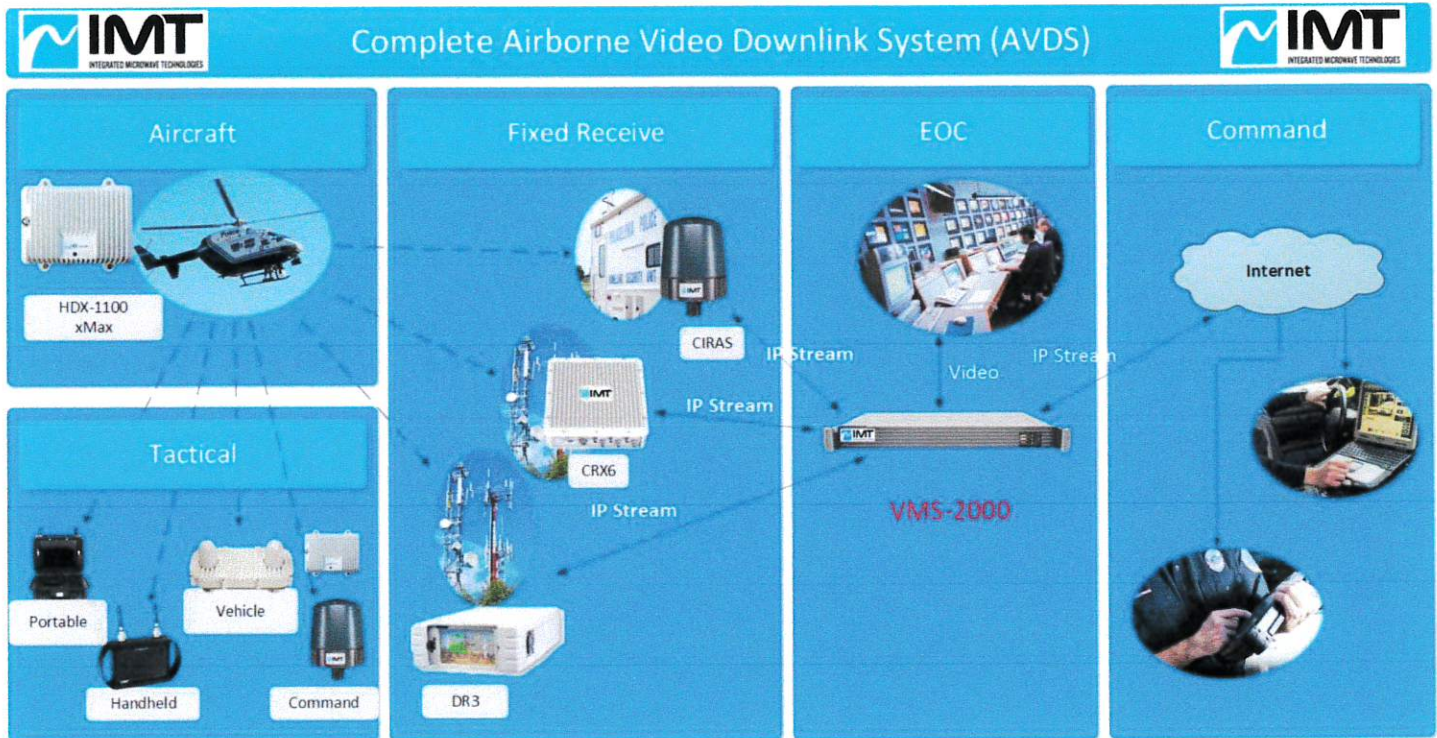
- Receive Signal Status:** Displays a live video feed of a street scene with the text 'Playing 7680 x 4320'. Below the video are two signal strength meters for 'Front Receiver' (94%) and 'Left Receiver L...' (19%).
- Settings:** A tabbed interface with 'eLinks' selected. It shows a table for 'Manage eLinks' with columns for Name, Address, Status, Edit, Enabled, and Remove.
 

| Name                            | Address       | Status       | Edit   | Enabled | Remove   |
|---------------------------------|---------------|--------------|--------|---------|----------|
| Front Receiver                  | 192.168.10.38 | Disconnected | [Edit] | [Off]   | [Remove] |
| Back Receiver for Main Building | 192.168.10.36 | Connected    | [Edit] | [On]    | [Remove] |
| Left Receiver for Side Building | 192.168.10.39 | Connected    | [Edit] | [On]    | [Remove] |
- Receiver Status:** Shows details for 'Back Recei...' and 'Left Receiv...'.
 

| Modulation | Direct    | 2,210,000 Hz |
|------------|-----------|--------------|
| Status     | Connected | Connected    |
| Lock       | Locked    | Unlocked     |
| MER (dB)   | 20        | 28           |
| Quality    | 43%       | 25%          |
| RSL (dBm)  | -78.5     | -87.5        |
- IP Addresses:** Shows configuration for 'Port 1' (WAN, 192.168.1.10) and 'Port 2' (LAN, 10.1.10.10).

**IMT Headquarters**  
 101 Bilby Road, Suite 15 BLDG-2  
 Hackettstown, NJ 078240 USA  
 Tel: + 1 908 852 3700  
 FAX: + 1 908 813 0399

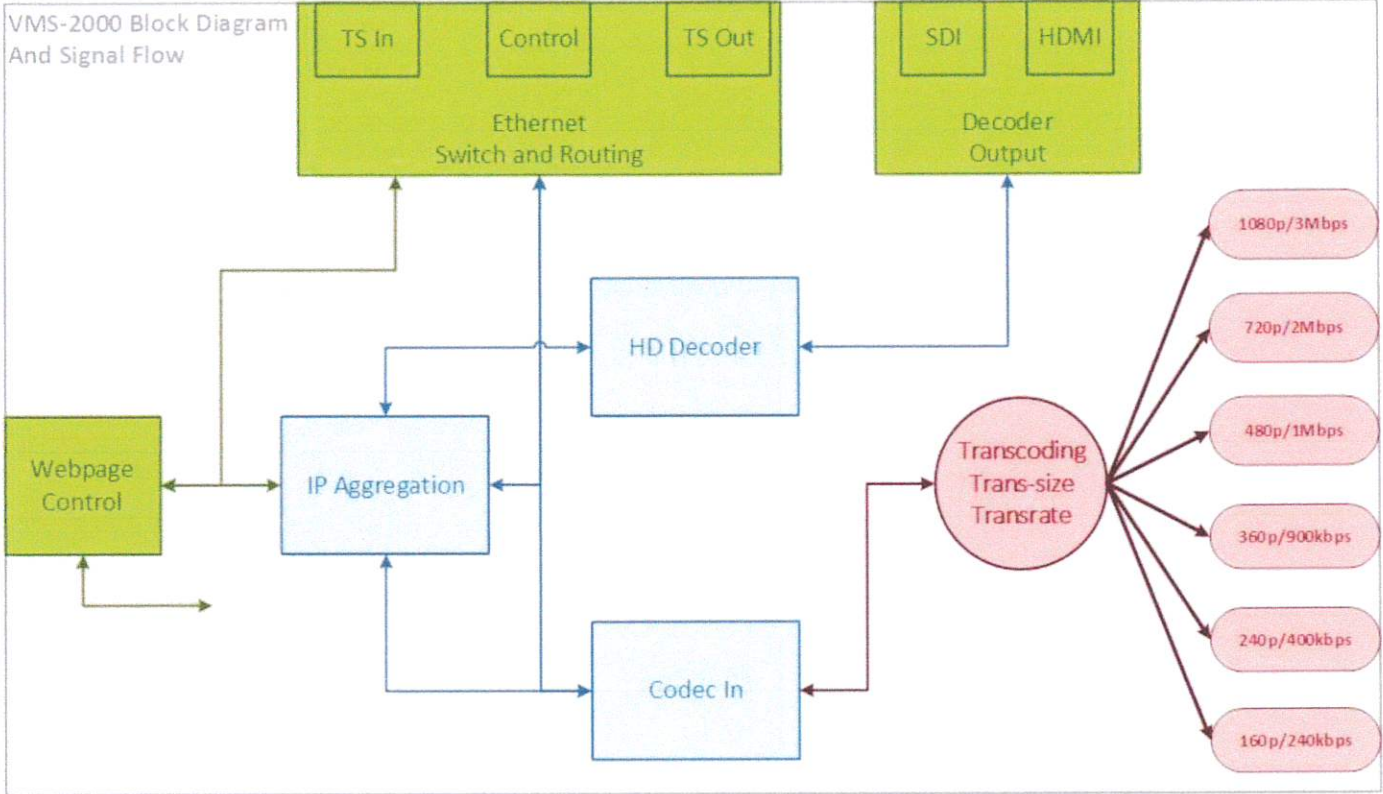
*Typical Application:*



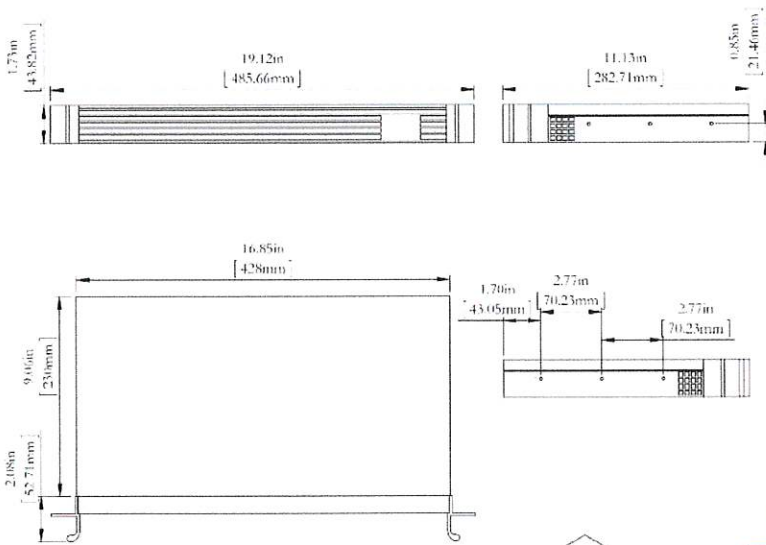
*Product Connectors:*

**IMT Headquarters**  
 101 Bilby Road, Suite 15 BLDG-2  
 Hackettstown, NJ 078240 USA  
 Tel: + 1 908 852 3700

*Block Diagram:*



*Product Outline:*



**IMT Headquarters**  
 [Redacted] by Road, Suite 15 BLDG-2  
 Hackettstown, NJ 078240 USA  
 Tel: + 1 908 852 3700  
 FAX: + 1 908 813 0399

# CERTIFICATE OF INTERESTED PARTIES

FORM 1295

1 of 1

Complete Nos. 1 - 4 and 6 if there are interested parties.  
Complete Nos. 1, 2, 3, 5, and 6 if there are no interested parties.

**OFFICE USE ONLY  
CERTIFICATION OF FILING**

Certificate Number:  
2020-678195

Date Filed:  
10/13/2020

Date Acknowledged:  
11/03/2020

**1 Name of business entity filing form, and the city, state and country of the business entity's place of business.**  
Integrated Microwave Technologies -Vislink LLC  
Hackettstown , NJ United States

**2 Name of governmental entity or state agency that is a party to the contract for which the form is being filed.**  
FORT BEMD COUNTY

**3 Provide the identification number used by the governmental entity or state agency to track or identify the contract, and provide a description of the services, goods, or other property to be provided under the contract.**  
B21-014  
Installation of Transmitter and Receiver.

| 4 | Name of Interested Party                         | City, State, Country (place of business) | Nature of interest (check applicable) |              |
|---|--|--|---------------------------------------|--------------|
|   |  |  | Controlling                           | Intermediary |
|   | Integrated Microwave Technologies - Vislinkl LLC | Hackettstown , NJ United States          | X                                     |              |
|   |  |  |                                       |              |
|   |  |  |                                       |              |
|   |  |  |                                       |              |
|   |  |  |                                       |              |
|   |  |  |                                       |              |
|   |  |  |                                       |              |
|   |  |  |                                       |              |
|   |  |  |                                       |              |

**5 Check only if there is NO Interested Party.**

**6 UNSWORN DECLARATION**

My name is \_\_\_\_\_, and my date of birth is \_\_\_\_\_.

My address is \_\_\_\_\_, \_\_\_\_\_, \_\_\_\_\_, \_\_\_\_\_, \_\_\_\_\_.  
(street) (city) (state) (zip code) (country)

I declare under penalty of perjury that the foregoing is true and correct.

Executed in \_\_\_\_\_ County, State of \_\_\_\_\_, on the \_\_\_\_\_ day of \_\_\_\_\_, 20\_\_\_\_.  
(month) (year)

\_\_\_\_\_  
Signature of authorized agent of contracting business entity  
(Declarant)