

**REVIEW BY FORT BEND COUNTY
COMMISSIONERS COURT**

**Fort Bend County
Engineering Department**
301 Jackson Suite 401
Richmond, Texas 77469
281.633.7500
Permits@fortbendcountytexas.gov

Right of Way Permit
 Commercial Driveway Permit
 Permit No: 2017-15543

Applicant: MCI Metro Access Transmission Services, Corp./Verizon

Job Location Site: 1501 1/2 Katy Flewellen Road, Katy, TX 77494

Bond No. **Date of Bond:** 5/1/2017 **Amount:** \$50,000.00

The above applicant came to make use of certain Fort Bend County property subject to, "The Order Regulating the Laying, Construction, Maintenance, and Repair of Buried Cables, Conduits, and Pole Lines, In, Under, Across or Along Roads, Streets, Highways, and Drainage Ditches in Fort Bend County, Texas, Under the Jurisdiction of the Commissioners Court of Fort Bend County, Texas," as passed by the Commissioners Court of Fort Bend County, Texas, of the Minutes of the Commissioners Court of Fort Bend County, Texas, to the extent that such order is not inconsistent with Chapter 181, Vernon's Texas Statutes and Codes Annotated.

Notes:

1. Evidence of review by the Commissioners Court must be kept on the job site and failure to do so constitutes grounds for job shutdown.
2. Written notices are required:
 - a. 48 hours in advance of construction start up, and
 - b. When construction is completed and ready for final inspection, submit notification to Permit Administrator thru MyGovernmentOnline.org portal.
3. This permit expires one (1) year from date of permit if construction has not commenced.

On this 12th day of September, 2017, Upon Motion of Commissioner Patterson, seconded by Commissioner Meyers, duly put and carried, it is ORDERED, ADJUDGED AND DECREED that said notice of said above purpose is hereby acknowledged by the Commissioners Court of Fort Bend County, Texas, and that said notice be placed on record according to the regulation order thereof.

Signature

By: Charles O. Ay
for County Engineer

By: N/A
Drainage District Engineer/Manager

Presented to Commissioners Court and approved.

Date Recorded 9-18-2017 Comm. Court No. 13F

Clerk of Commissioners Court
By: Ronda Wilho
Deputy



**PERMIT APPLICATION REVIEW FORM FOR
CABLE, CONDUIT, AND POLE LINE ACTIVITY
IN FORT BEND COUNTY**

**Fort Bend County
Engineering Department**
301 Jackson Suite 401
Richmond, Texas 77469
281.633.7500
Permits@fortbendcountytx.gov

- Right of Way Permit
- Commercial Driveway Permit

Permit No: 2017-15543

The following "Notice of Proposed Cable, Conduit, and/or Pole Line activity in Fort Bend County" and accompanying attachments have been reviewed and the notice conforms to appropriate regulations set by Commissioner's Court of Fort Bend County, Texas.

(1) COMPLETE APPLICATION FORM:

- a. Name of road, street, and/or drainage ditch affected.
- b. Vicinity map showing course of directions
- c. Plans and specifications

(2) BOND:

- County Attorney, approval when applicable.
- Perpetual bond currently posted. Bond No: [REDACTED] Amount: \$50,000.00
- Performance bond submitted. Bond No: _____ Amount: _____
- Cashier's Check Check No: _____ Amount: _____

(3) DRAINAGE DISTRICT APPROVAL (WHEN APPLICABLE):

Drainage District Approval

Date

We have reviewed this project and agree it meets minimum requirements.

Charles O. Ay

Permit Administrator

9/5/17

Date

MCImetro
ACCESS TRANSMISSION SERVICES CORPORATION

OUTSIDE PLANT CONSTRUCTION
FIBER OPTIC CABLE ROUTE

PROJECT #: 1706ANBG.011
KATY MALL TO MASON RD

KATY, TX
FORT BEND COUNTY

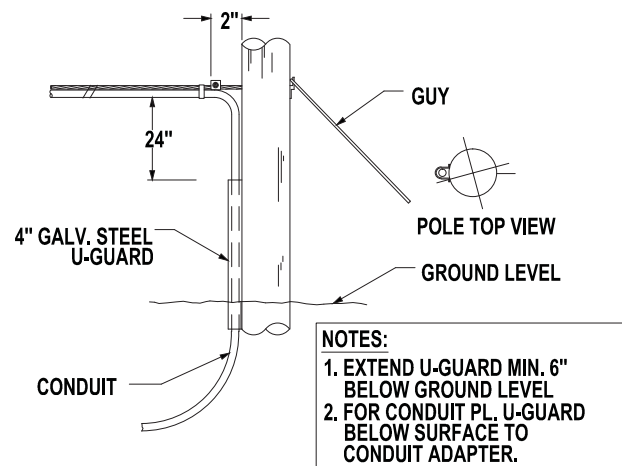
SITE CODE: HODATX
08/09/2017 (REVISED)

PROJECT STATUS: CONSTRUCTION

TYPICAL AERIAL CONSTRUCTION DETAILS

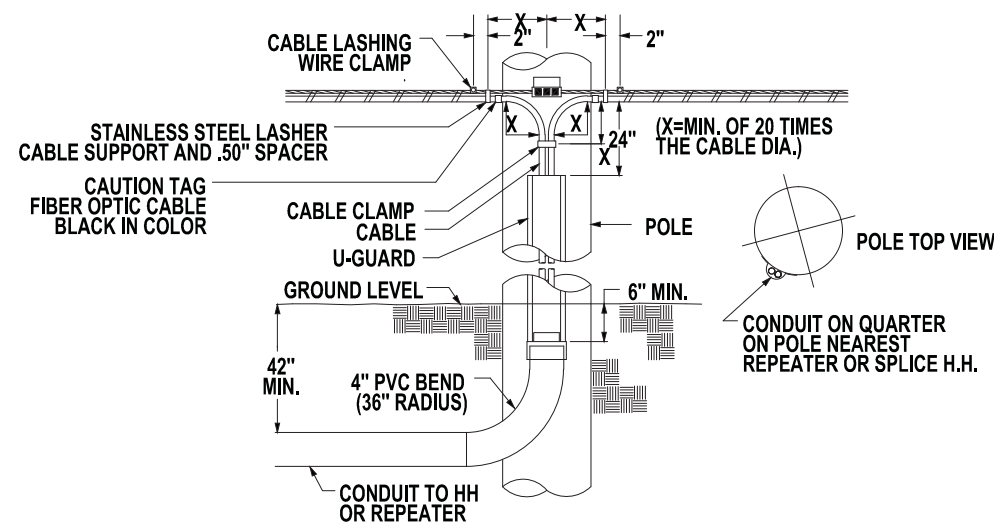
TYPICAL DETAIL "A"

POLE ARRANGEMENT FOR AERIAL TO BURIED



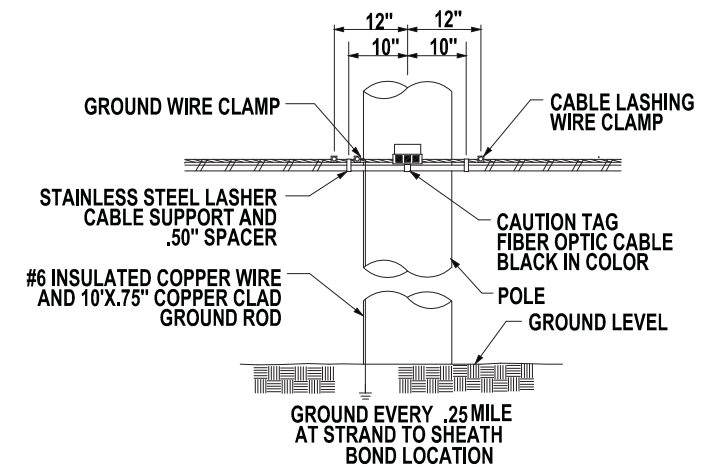
TYPICAL DETAIL "B"

POLE ARRANGEMENT FOR REPEATER OR HANDHOLE LOCATION



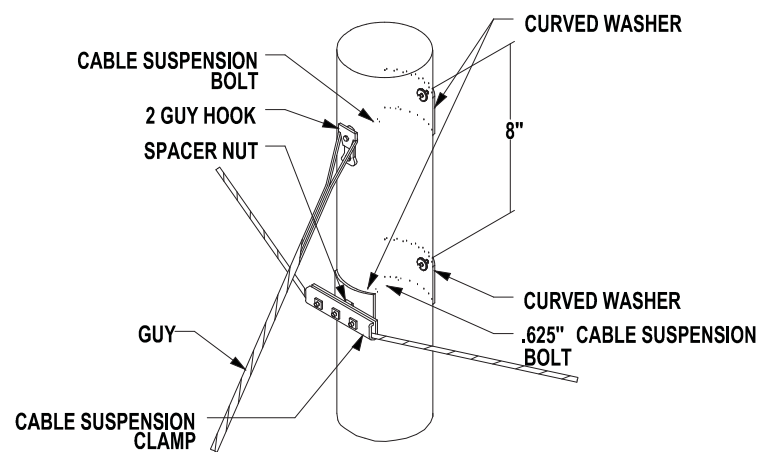
TYPICAL DETAIL "C"

TYPICAL CABLE & HARDWARE INSTALLATION



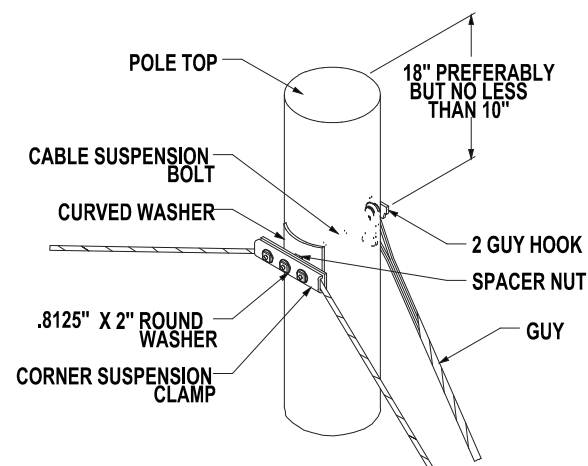
TYPICAL DETAIL "D"

SUSPENSION STRAND - PULL TOWARD POLE - LESS THAN 5 FEET



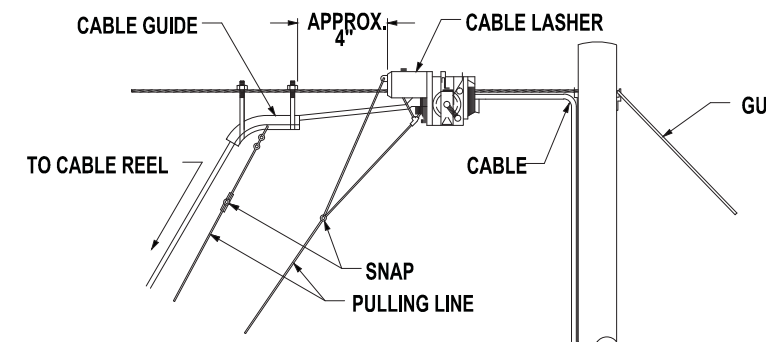
TYPICAL DETAIL "E"

SUSPENSION STRAND - PULL AWAY FROM POLE - 5 FEET OR MORE



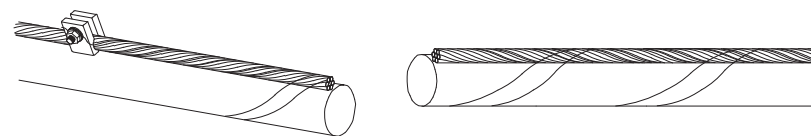
TYPICAL DETAIL "F"

TYPICAL ARRANGEMENT OF CABLE LASHER AND CABLE GUIDE



TYPICAL DETAIL "G"

JOINING 045 LASHING WIRE



FORMING WIRE OVER STUD OF CLAMP

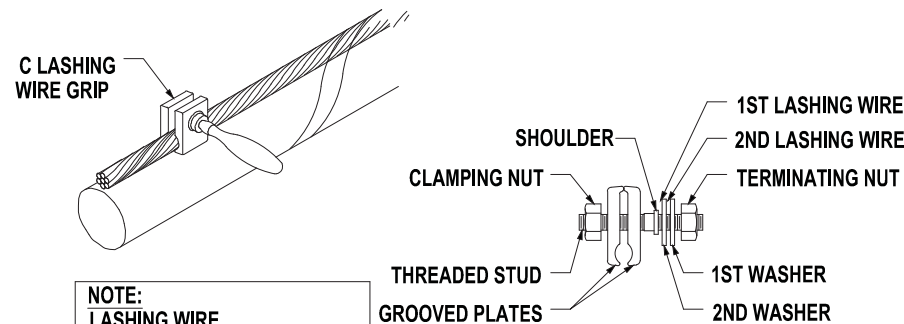
REMOVE ANY SLACK IN THE LASHING WIRE BY MAINTAINING A PULL ON THE WIRE AND TAPPING THE STRAND SHARPLY. THEN FORM THE WIRE OVER THE STUD AND TIGHTEN THE NUT. CUT THE FREE END OF THE LASHING WIRE OFF .75" BEYOND THE END OF THE CLAMP.

FORMING LASHING WIRE AROUND STRAND

FORM THE LASHING WIRE AROUND THE STRAND AND PLACE IT BELOW THE STUD AND BETWEEN THE SECOND WASHER AND STUD SHOULDER.

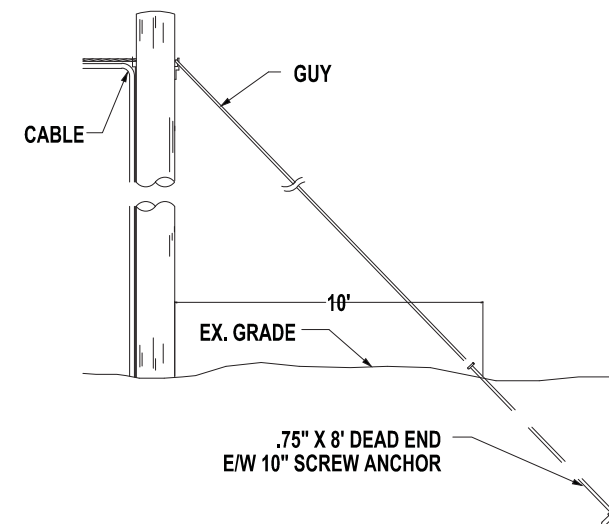
TYPICAL DETAIL "H"

LASHING WIRE GRIP AND CLAMP



TYPICAL DETAIL "I"

ANCHOR & DOWN GUY



PROJECT: 1706ANBG.011

KATY MALL

MASON RD

CLARIFICATION NO. QUANTITY

ACCESS TRANSMISSION SERVICES CORP.
OUTSIDE PLANT CONSTRUCTION
TITLE: FIBER OPTIC CABLE ROUTE
KATY MALL TO MASON RD
TYPICAL AERIAL CONSTRUCTION DETAILS

DATE: 07/24/2017

ENGINEER: GXT

DRAWN BY: GXT

REVISIONS

DATE	DESCRIPTION	INITIAL
-	-	-

EXCEPT AS MAY BE OTHERWISE PROVIDED BY CONTRACT, THESE DRAWINGS AND SPECIFICATIONS SHALL REMAIN THE PROPERTY OF MCI COMMUNICATION SERVICES, INC. BOTH BEING ISSUED IN STRICT CONFIDENCE AND SHALL NOT BE REPRODUCED, COPIED, OR USED FOR ANY PURPOSE WITHOUT SPECIFIC WRITTEN PERMISSION.

SCALE

HORIZONTAL: NTS

VERTICAL: NTS

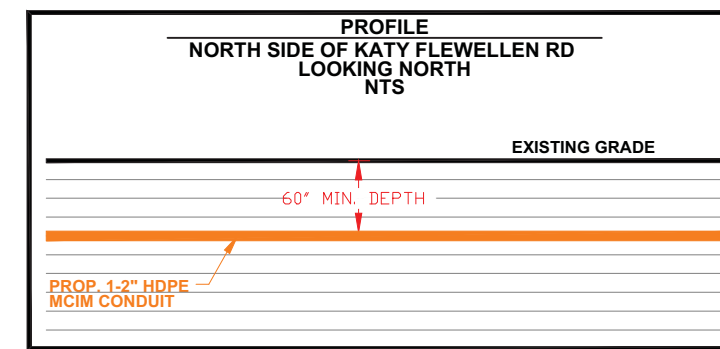
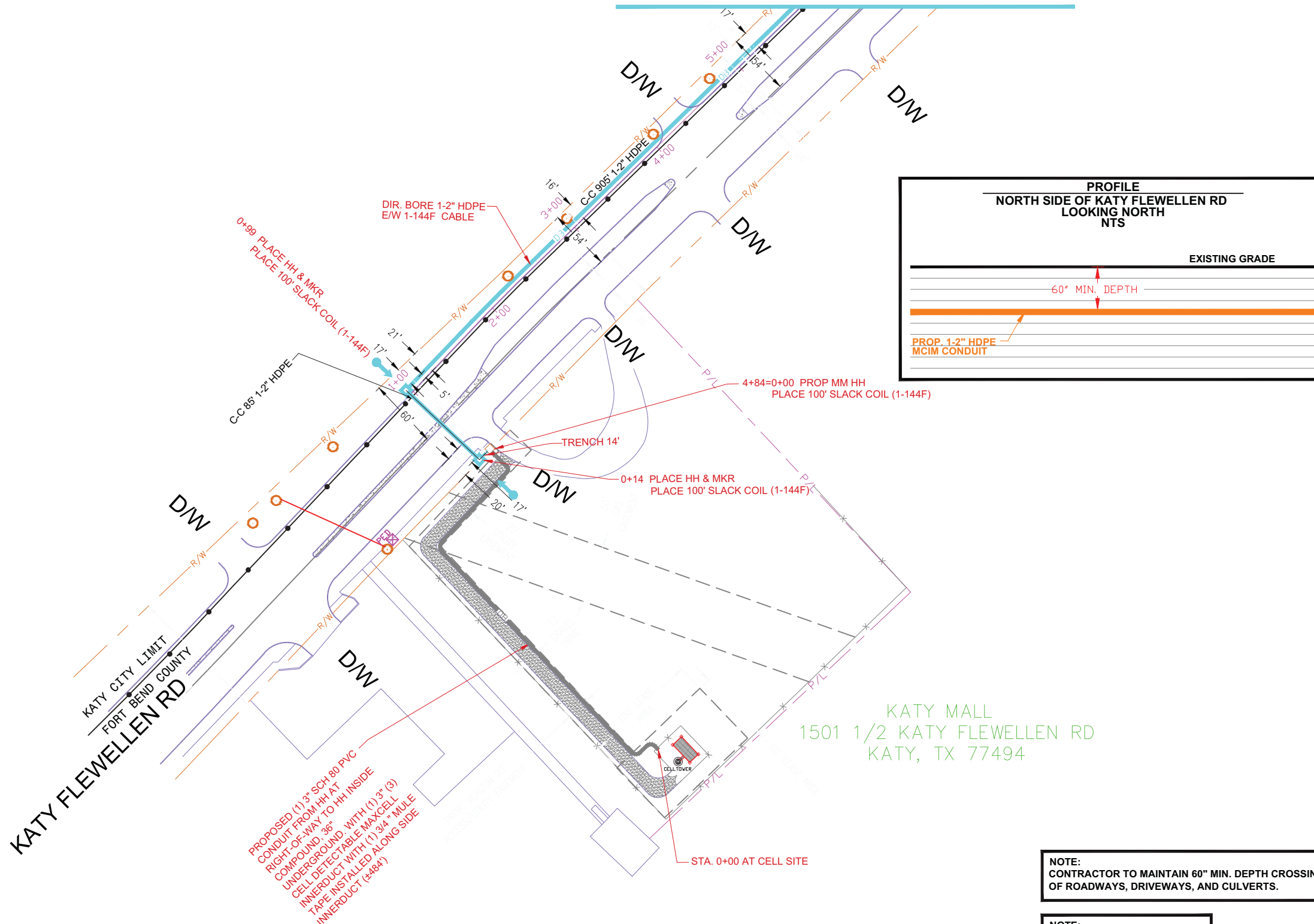
MP TO MP

SHEET 09 OF 26

FILE: 1706ANBG.011-0109AC. BEL. DWG

KATY, TX
FORT BEND COUNTY

SEE SHEET 019 TO MATCH SURVEY STA. 5+78



PROJEF: 1706ANBG.011

KATY MALL
MASON RD

CLARIFICATION NO.	QUANTITY
PLACE HANDHOLE	2
PROP. 1-2" HDPE	598
PULL 1-288F CABLE	-
PULL 1-144F CABLE	878
PULL 1-72F CABLE	-
RISER 1-2" STAND OFF RISER	-
DOWN GUY & ANCHOR	-
PLACE 6M STRAND	-
LASH 1-144/1-288 FIBER CA	-
PLACE MARKER	2

ACCESS TRANSMISSION SERVICES CORP.
 MCI
 OUTSIDE PLANT CONSTRUCTION
 TITLE: FIBER OPTIC CABLE ROUTE
 KATY MALL TO MASON RD
 OUTSIDE PLANT - PLAN

DATE: 07/24/2017
ENGINEER: GXT
DRAWN BY: GXT

REVISIONS		
DATE	DESCRIPTION	INITIAL
08-09-17	REVISION 1	RB

EXCEPT AS MAY BE OTHERWISE PROVIDED BY CONTRACT, THESE DRAWINGS AND SPECIFICATIONS SHALL REMAIN THE PROPERTY OF MCI COMMUNICATIONS SERVICES, INC. BOTH BEING ISSUED IN STRICT CONFIDENCE AND SHALL NOT BE REPRODUCED, COPIED, OR USED FOR ANY PURPOSE WITHOUT SPECIFIC WRITTEN PERMISSION.

SCALE
HORIZONTAL: 1"=100'
VERTICAL: 1"=100'
MP _____ TO MP _____
SHEET 18 OF 26
FILE: 1706ANBG.011-0118AC.BEL.DWG

NOTE:
CONTRACTOR TO MAINTAIN 60" MIN. DEPTH CROSSING OF ROADWAYS, DRIVEWAYS, AND CULVERTS.

NOTE:
MAINTAIN 4' MINIMUM SEPARATION FROM EOP/BOC.

**** NOTE****
UTILITY & R.O.W. REPRESENTED ON PLANS ARE BASED ON RECORDS INFORMATION. NOT BASED ON BOUNDARY SURVEY & FIELD EXPOSURES.

CAUTION !!!!
CONTRACTOR TO LOCATE & VERIFY ALL EXISTING UTILITIES PRIOR TO CONSTRUCTION

**** NOTE ****
ALL UTILITIES MUST BE VERIFIED BY POTHOLING A 18" MAXIMUM DIAMETER "CORE BORE" WILL BE MADE THEN THE REMAINING SOIL WILL BE REMOVED BY VACUUM EXCAVATION ONLY!



CALL BEFORE YOU DIG
1-800-245-4545
48 HOURS NOTICE REQUIRED

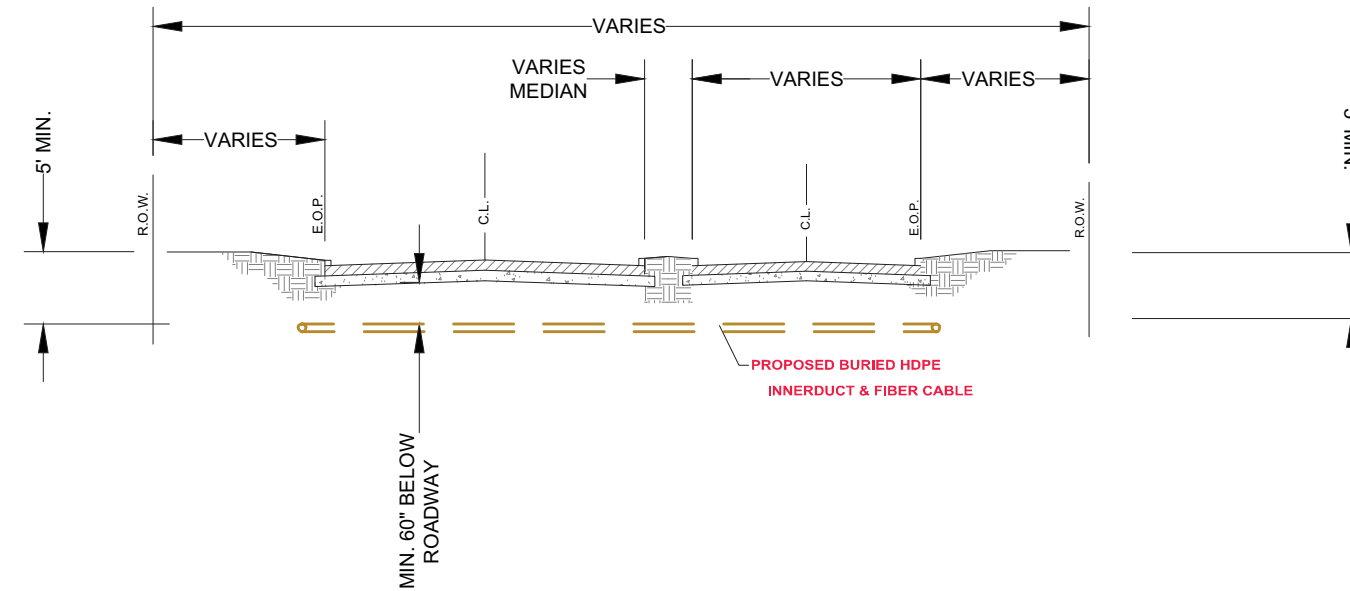


PROJEF: 1706ANBG.011

KATY MALL
MASON RD

CLARIFICATION NO.	QUANTITY
PLACE HANDHOLE	-
PROP. 1-2" HDPE	-
PULL 1-288F CABLE	-
PULL 1-144F CABLE	-
PULL 1-72F CABLE	-
RISER 1-2" STAND OFF RISER	-
DOWN GUY & ANCHOR	-
PLACE 6M STRAND	-
LASH 1-144/1-288 FIBER CA	-
PLACE MARKER	-

TYPICAL ROAD CROSSING DETAIL
KATY FLEWELLEN RD.



ACCESS TRANSMISSION SERVICES CORP.
MCI
OUTSIDE PLANT CONSTRUCTION
TITLE: FIBER OPTIC CABLE ROUTE
KATY MALL TO MASON RD
OUTSIDE PLANT - PLAN

DATE: 07/24/2017

ENGINEER: GXT

DRAWN BY: GXT

REVISIONS

DATE	DESCRIPTION	INITIAL
-	-	-

EXCEPT AS MAY BE OTHERWISE PROVIDED BY CONTRACT, THESE DRAWINGS AND SPECIFICATIONS SHALL REMAIN THE PROPERTY OF MCI COMMUNICATIONS SERVICES, INC., BOTH BEING ISSUED IN STRICT CONFIDENCE AND SHALL NOT BE REPRODUCED, COPIED, OR USED FOR ANY PURPOSE WITHOUT SPECIFIC WRITTEN PERMISSION.

SCALE

HORIZONTAL: 1"=100'

VERTICAL: 1"=100'

MP _____ TO MP _____

SHEET 18.1 OF 26

FILE:1706ANBG.011-0118.1AC.BEL.DWG

**** NOTE****
UTILITY & R.O.W. REPRESENTED ON PLANS ARE BASED ON RECORDS INFORMATION. NOT BASED ON BOUNDARY SURVEY & FIELD EXPOSURES.

CAUTION !!!!
CONTRAFOR TO LOCATE & VERIFY ALL EXISTING UTILITIES PRIOR TO CONSTRUION

**** NOTE ****
ALL UTILITIES MUST BE VERIFIED BY POTHOLING A 18" MAXIMUM DIAMETER "CORE BORE" WILL BE MADE THEN THE REMAINING SOIL WILL BE REMOVED BY VACUUM EXCAVATION ONLY!



CALL BEFORE YOU DIG
1-800-245-4545
48 HOURS NOTICE REQUIRED