

REVIEW BY FORT BEND COUNTY COMMISSIONERS COURT

On this 23rd day of February, 2016, Commissioners Court came on to be heard and reviewed the accompanying notice of Maco Construction
 Job Location 24911 Roesner Road, Katy, TX 77494
 Date 2/9/2016 Bond No. 62663437, Permit No. 2015-4003 to make use of certain Fort Bend County property subject to, "A Revised Order Regulating the Laying, Construction, Maintenance, and Repair of Buried Cables, Conduits, and Pole Lines, In, Under, Across or Along Roads, Streets, Highways, and Drainage Ditches in Fort Bend County, Texas, Under the Jurisdiction of the Commissioners Court of Fort Bend County, Texas," as passed by the Commissioners Court of Fort Bend County, Texas the 3rd day of August, 1987, recorded in Volume _____ of the Minutes of the Commissioners Court of Fort Bend County, Texas, to the extent that such order is not inconsistent with Article 1436a, Vernon's Texas Civil Statutes. Upon Motion of Commissioner Meyer, seconded by Commissioner Mouzon, duly put and carried, it is ORDERED, ADJUDGED AND DECREED that said notice of said above purpose is hereby acknowledged by the Commissioners Court of Fort Bend County, Texas, and that said notice be placed on record according to the regulation order thereof.

Notes:

1. Evidence of review by the Commissioners Court must be kept on the job site and failure to do so constitutes grounds for job shutdown.
2. Written notices are required:
 - a. 48 hours in advance of construction start up, and
 - b. when construction is completed and ready for final inspection
 Mail notices to: Permit Administrator
 Fort Bend County Engineering
 301 Jackson Street
 Richmond, Texas 77469
 281-633-7500
3. This permit expires one (1) year from date of permit if construction has not commenced.

By: Charles O. Ay Jr
 County Engineer

Presented to Commissioners Court and approved.

Recorded in Volume
2-23-16 - 13M
 Minutes of Commissioners Court

By: N/A
 Drainage District Engineer/Manager

Clerk of Commissioners Court

By: Andrea Wilco
 Deputy

County of Fort Bend
Engineering Department

301 Jackson Street
Richmond, Texas 77469

Johnny Ortega
Permit Administrator

Phone: (281) 633-7500

**Permit Application Review Form For
Cable, Conduit, and Pole Line Activity
In Fort Bend County**

Permit No. 2015-4003

The following "Notice of Proposed Cable, Conduit, and/or Pole Line activity in Fort Bend County" and accompanying attachments have been reviewed and the notice conforms to appropriate regulations set by Commissioner's Court of Fort Bend County, Texas.

- (1) Complete Application Form:
- a. Name of road, street, and/or drainage ditch affected.
 - b. Vicinity map showing course of directions
 - c. Plans and specifications
- (2) Bond:
- _____ District Attorney, approval when applicable.
- _____ Perpetual bond currently posted.
- _____ No: _____
- _____ Amount: _____
- Performance bond submitted.
- _____ No: 62663437
- _____ Amount: \$5,000.00
- _____ Cashier's Check
- _____ No: _____
- _____ Amount: _____
- _____ (3) Verbal permission given for emergencies, to start construction before approved in Commissioner's Court.

Precinct Engineer Acknowledgment

Date

Precinct Commissioner Acknowledgment

Date

(4)

_____ Drainage District Approval when applicable

We have reviewed this project and agree it meets minimum requirements.

Johnny Ortega CFM

Johnny Ortega CFM/Permit Administrator

2/9/2016

Date

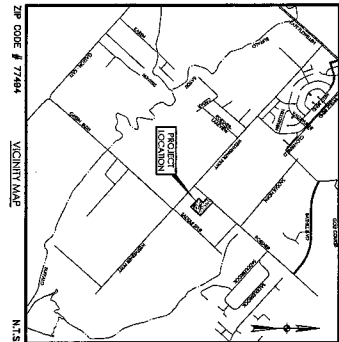
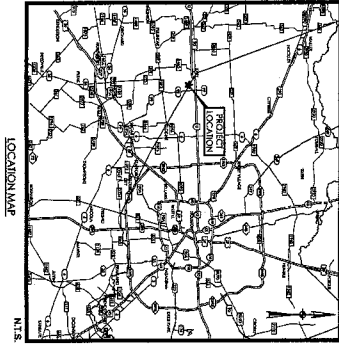
Z:\1-CML\13.184C_FAMILY LIFE ASSEMBLY OF GOD\CAD\PRIVATE\13.184_CVLDWG.AUG. 03, 2015-9:28am AMEE

FAMILY LIFE ASSEMBLY OF GOD

FORT BEND COUNTY, TEXAS
PLANS FOR CONSTRUCTION
OF

PAVING, STORM SEWER, SANITARY SEWER, AND WATER LINE

24835 ROESNER ROAD
KATY, TEXAS 77494
7.5332 ACRES



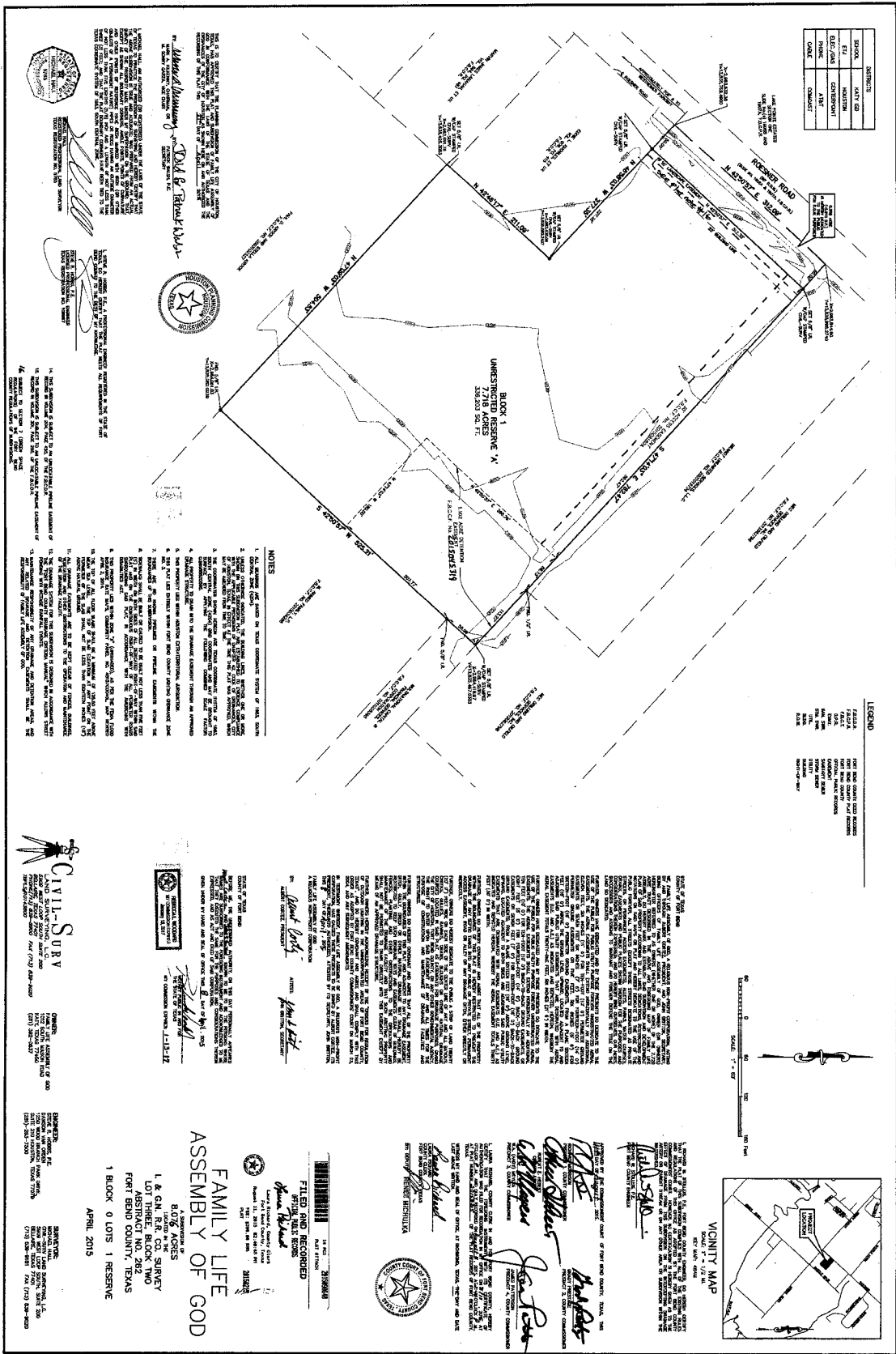
DAWSON VAN ORDEN
CIVIL & MECHANICAL • ELECTRICAL • PLUMBING
10000 WESTHEIMER ROAD, SUITE 140, HOUSTON, TEXAS 77042
PHONE: 281.288.8888 FAX: 281.288.8889
WWW.DAWSONVANORDEN.COM

Sheet Number	Sheet Title	Sheet List Table
C1	COVER SHEET	
C2	GENERAL NOTES	
C3	DEMOLITION PLAN	
C4	DIMENSION CONTROL PLAN	
C5	GRADING PLAN	
C6	UTILITY PLAN	
C7	OFFSITE UTILITY PLAN	
C8	DRAINAGE AREA MAP	
C9	STORM SEWER CALCULATION	
C10	FIRE LANE LAYOUT	
C11	STORM WATER POLLUTION PREVENTION PLAN	
C12	STORM WATER POLLUTION PREVENTION PLAN DETAILS	
C13	PUMP DETAILS	
C14	MISCELLANEOUS DETAILS	
C15	MISCELLANEOUS DETAILS	
C16	TPOOT DETAILS	

ENGINEER: **DAWSON VAN ORDEN**
DATE: **08-11-15**
THESE PLANS AND SPECIFICATIONS WERE PREPARED BY ME OR UNDER MY CLOSE PERSONAL SUPERVISION AND TO THE BEST OF MY KNOWLEDGE AND BELIEF THEY COMPLY WITH ALL CITY, COUNTY AND STATE REQUIREMENTS AND I AM NOT PROVIDING CONTRACT ADMINISTRATION OR FIELD INSPECTION SERVICES.
APPROVED: **[Signature]**
DATE: **08-11-15**

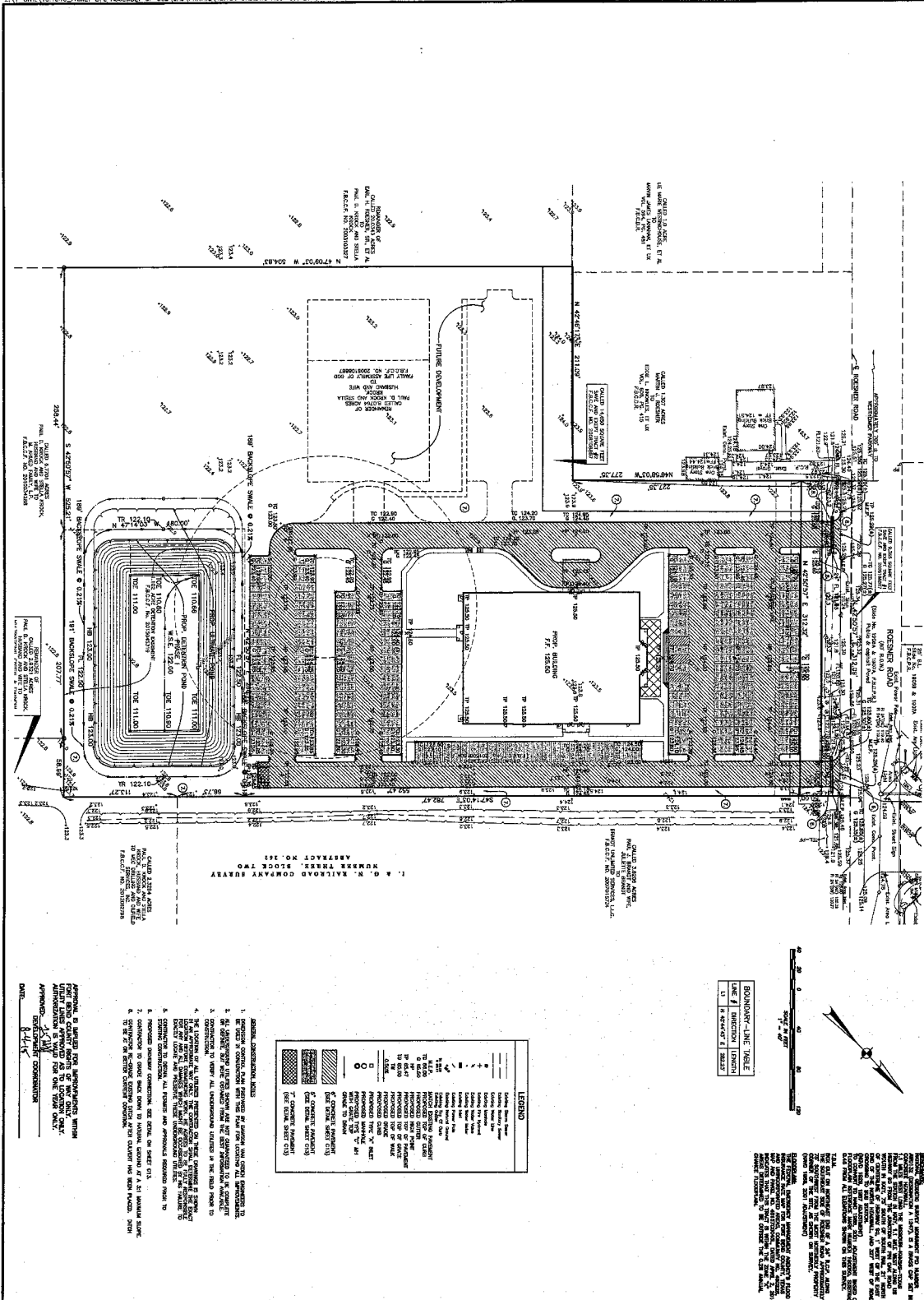


C1



REVISIONS	
NO.	DATE
1	10/15/10
2	11/15/10
3	12/15/10
4	01/15/11
5	02/15/11
6	03/15/11
7	04/15/11
8	05/15/11
9	06/15/11
10	07/15/11
11	08/15/11
12	09/15/11
13	10/15/11
14	11/15/11
15	12/15/11
16	01/15/12
17	02/15/12
18	03/15/12
19	04/15/12
20	05/15/12
21	06/15/12
22	07/15/12
23	08/15/12
24	09/15/12
25	10/15/12
26	11/15/12
27	12/15/12
28	01/15/13
29	02/15/13
30	03/15/13
31	04/15/13
32	05/15/13
33	06/15/13
34	07/15/13
35	08/15/13
36	09/15/13
37	10/15/13
38	11/15/13
39	12/15/13
40	01/15/14
41	02/15/14
42	03/15/14
43	04/15/14
44	05/15/14
45	06/15/14
46	07/15/14
47	08/15/14
48	09/15/14
49	10/15/14
50	11/15/14
51	12/15/14
52	01/15/15
53	02/15/15
54	03/15/15
55	04/15/15
56	05/15/15
57	06/15/15
58	07/15/15
59	08/15/15
60	09/15/15
61	10/15/15
62	11/15/15
63	12/15/15
64	01/15/16
65	02/15/16
66	03/15/16
67	04/15/16
68	05/15/16
69	06/15/16
70	07/15/16
71	08/15/16
72	09/15/16
73	10/15/16
74	11/15/16
75	12/15/16
76	01/15/17
77	02/15/17
78	03/15/17
79	04/15/17
80	05/15/17
81	06/15/17
82	07/15/17
83	08/15/17
84	09/15/17
85	10/15/17
86	11/15/17
87	12/15/17
88	01/15/18
89	02/15/18
90	03/15/18
91	04/15/18
92	05/15/18
93	06/15/18
94	07/15/18
95	08/15/18
96	09/15/18
97	10/15/18
98	11/15/18
99	12/15/18
100	01/15/19
101	02/15/19
102	03/15/19
103	04/15/19
104	05/15/19
105	06/15/19
106	07/15/19
107	08/15/19
108	09/15/19
109	10/15/19
110	11/15/19
111	12/15/19
112	01/15/20
113	02/15/20
114	03/15/20
115	04/15/20
116	05/15/20
117	06/15/20
118	07/15/20
119	08/15/20
120	09/15/20
121	10/15/20
122	11/15/20
123	12/15/20
124	01/15/21
125	02/15/21
126	03/15/21
127	04/15/21
128	05/15/21
129	06/15/21
130	07/15/21
131	08/15/21
132	09/15/21
133	10/15/21
134	11/15/21
135	12/15/21
136	01/15/22
137	02/15/22
138	03/15/22
139	04/15/22
140	05/15/22
141	06/15/22
142	07/15/22
143	08/15/22
144	09/15/22
145	10/15/22
146	11/15/22
147	12/15/22
148	01/15/23
149	02/15/23
150	03/15/23
151	04/15/23
152	05/15/23
153	06/15/23
154	07/15/23
155	08/15/23
156	09/15/23
157	10/15/23
158	11/15/23
159	12/15/23
160	01/15/24
161	02/15/24
162	03/15/24
163	04/15/24
164	05/15/24
165	06/15/24
166	07/15/24
167	08/15/24
168	09/15/24
169	10/15/24
170	11/15/24
171	12/15/24
172	01/15/25
173	02/15/25
174	03/15/25
175	04/15/25
176	05/15/25
177	06/15/25
178	07/15/25
179	08/15/25
180	09/15/25
181	10/15/25
182	11/15/25
183	12/15/25
184	01/15/26
185	02/15/26
186	03/15/26
187	04/15/26
188	05/15/26
189	06/15/26
190	07/15/26
191	08/15/26
192	09/15/26
193	10/15/26
194	11/15/26
195	12/15/26
196	01/15/27
197	02/15/27
198	03/15/27
199	04/15/27
200	05/15/27
201	06/15/27
202	07/15/27
203	08/15/27
204	09/15/27
205	10/15/27
206	11/15/27
207	12/15/27
208	01/15/28
209	02/15/28
210	03/15/28
211	04/15/28
212	05/15/28
213	06/15/28
214	07/15/28
215	08/15/28
216	09/15/28
217	10/15/28
218	11/15/28
219	12/15/28
220	01/15/29
221	02/15/29
222	03/15/29
223	04/15/29
224	05/15/29
225	06/15/29
226	07/15/29
227	08/15/29
228	09/15/29
229	10/15/29
230	11/15/29
231	12/15/29
232	01/15/30
233	02/15/30
234	03/15/30
235	04/15/30
236	05/15/30
237	06/15/30
238	07/15/30
239	08/15/30
240	09/15/30
241	10/15/30
242	11/15/30
243	12/15/30
244	01/15/31
245	02/15/31
246	03/15/31
247	04/15/31
248	05/15/31
249	06/15/31
250	07/15/31
251	08/15/31
252	09/15/31
253	10/15/31
254	11/15/31
255	12/15/31
256	01/15/32
257	02/15/32
258	03/15/32
259	04/15/32
260	05/15/32
261	06/15/32
262	07/15/32
263	08/15/32
264	09/15/32
265	10/15/32
266	11/15/32
267	12/15/32
268	01/15/33
269	02/15/33
270	03/15/33
271	04/15/33
272	05/15/33
273	06/15/33
274	07/15/33
275	08/15/33
276	09/15/33
277	10/15/33
278	11/15/33
279	12/15/33
280	01/15/34
281	02/15/34
282	03/15/34
283	04/15/34
284	05/15/34
285	06/15/34
286	07/15/34
287	08/15/34
288	09/15/34
289	10/15/34
290	11/15/34
291	12/15/34
292	01/15/35
293	02/15/35
294	03/15/35
295	04/15/35
296	05/15/35
297	06/15/35
298	07/15/35
299	08/15/35
300	09/15/35
301	10/15/35
302	11/15/35
303	12/15/35
304	01/15/36
305	02/15/36
306	03/15/36
307	04/15/36
308	05/15/36
309	06/15/36
310	07/15/36
311	08/15/36
312	09/15/36
313	10/15/36
314	11/15/36
315	12/15/36
316	01/15/37
317	02/15/37
318	03/15/37
319	04/15/37
320	05/15/37
321	06/15/37
322	07/15/37
323	08/15/37
324	09/15/37
325	10/15/37
326	11/15/37
327	12/15/37
328	01/15/38
329	02/15/38
330	03/15/38
331	04/15/38
332	05/15/38
333	06/15/38
334	07/15/38
335	08/15/38
336	09/15/38
337	10/15/38
338	11/15/38
339	12/15/38
340	01/15/39
341	02/15/39
342	03/15/39
343	04/15/39
344	05/15/39
345	06/15/39
346	07/15/39
347	08/15/39
348	09/15/39
349	10/15/39
350	11/15/39
351	12/15/39
352	01/15/40
353	02/15/40
354	03/15/40
355	04/15/40
356	05/15/40
357	06/15/40
358	07/15/40
359	08/15/40
360	09/15/40
361	10/15/40
362	11/15/40
363	12/15/40
364	01/15/41
365	02/15/41
366	03/15/41
367	04/15/41
368	05/15/41
369	06/15/41
370	07/15/41
371	08/15/41
372	09/15/41
373	10/15/41
374	11/15/41
375	12/15/41
376	01/15/42
377	02/15/42
378	03/15/42
379	04/15/42
380	05/15/42
381	06/15/42
382	07/15/42
383	08/15/42
384	09/15/42
385	10/15/42
386	11/15/42
387	12/15/42
388	01/15/43
389	02/15/43
390	03/15/43
391	04/15/43
392	05/15/43
393	06/15/43
394	07/15/43
395	08/15/43
396	09/15/43
397	10/15/43
398	11/15/43
399	12/15/43
400	01/15/44
401	02/15/44
402	03/15/44
403	04/15/44
404	05/15/44
405	06/15/44
406	07/15/44
407	08/15/44
408	09/15/44
409	10/15/44
410	11/15/44

211-CHILL 13.164 FAMILY LIFE ASSEMBLY OF GOD CAD PRIVATE 13.164 DRG DRWG AUG. 03. 2015-9:32am AMEC



APPROVED TO GRADEN THE GRADING PLAN FROM THE COUNTY ENGINEER OF FORT BEND COUNTY, TEXAS. THE GRADING PLAN IS VALID FOR 180 DAYS FROM THE DATE OF APPROVAL.

DATE: 8/1/14

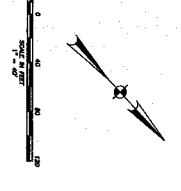
DESIGNED BY: [Signature]

CHECKED BY: [Signature]

- GENERAL CONDITIONS:**
1. THE CONTRACTOR SHALL BE RESPONSIBLE FOR OBTAINING ALL NECESSARY PERMITS AND APPROVALS FROM THE APPROPRIATE AGENCIES.
 2. THE CONTRACTOR SHALL MAINTAIN ACCESS TO ALL ADJACENT PROPERTIES AT ALL TIMES.
 3. THE CONTRACTOR SHALL BE RESPONSIBLE FOR THE PROTECTION OF ALL UTILITIES AND STRUCTURES TO REMAIN.
 4. THE CONTRACTOR SHALL MAINTAIN ALL EXISTING AND PROPOSED EROSION CONTROL MEASURES THROUGHOUT THE PROJECT.
 5. THE CONTRACTOR SHALL BE RESPONSIBLE FOR THE PROTECTION OF ALL EXISTING AND PROPOSED EROSION CONTROL MEASURES THROUGHOUT THE PROJECT.
 6. THE CONTRACTOR SHALL MAINTAIN ALL EXISTING AND PROPOSED EROSION CONTROL MEASURES THROUGHOUT THE PROJECT.
 7. THE CONTRACTOR SHALL BE RESPONSIBLE FOR THE PROTECTION OF ALL EXISTING AND PROPOSED EROSION CONTROL MEASURES THROUGHOUT THE PROJECT.
 8. THE CONTRACTOR SHALL MAINTAIN ALL EXISTING AND PROPOSED EROSION CONTROL MEASURES THROUGHOUT THE PROJECT.

SYMBOL	DESCRIPTION
(Solid line)	EXISTING BOUNDARY LINE
(Dashed line)	PROPOSED BOUNDARY LINE
(Thick solid line)	EXISTING STRUCTURE
(Thin solid line)	PROPOSED STRUCTURE
(Hatched area)	EXISTING CONCRETE DRIVE
(Dotted area)	PROPOSED CONCRETE DRIVE
(Hatched area)	EXISTING CONCRETE SIDEWALK
(Dotted area)	PROPOSED CONCRETE SIDEWALK
(Hatched area)	EXISTING ASPHALT DRIVE
(Dotted area)	PROPOSED ASPHALT DRIVE
(Hatched area)	EXISTING ASPHALT SIDEWALK
(Dotted area)	PROPOSED ASPHALT SIDEWALK
(Hatched area)	EXISTING GRAVEL DRIVE
(Dotted area)	PROPOSED GRAVEL DRIVE
(Hatched area)	EXISTING GRAVEL SIDEWALK
(Dotted area)	PROPOSED GRAVEL SIDEWALK
(Hatched area)	EXISTING GRAVEL DRIVE
(Dotted area)	PROPOSED GRAVEL DRIVE
(Hatched area)	EXISTING GRAVEL SIDEWALK
(Dotted area)	PROPOSED GRAVEL SIDEWALK

LINE #	DESCRIPTION	DATE
1	BOUNDARY-LINE TABLE	8/1/14

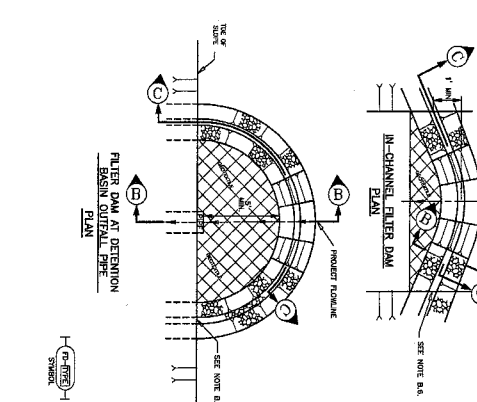
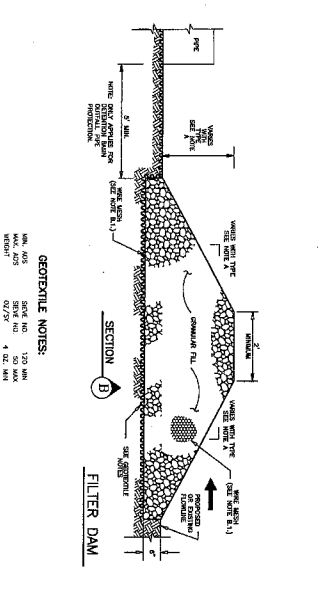
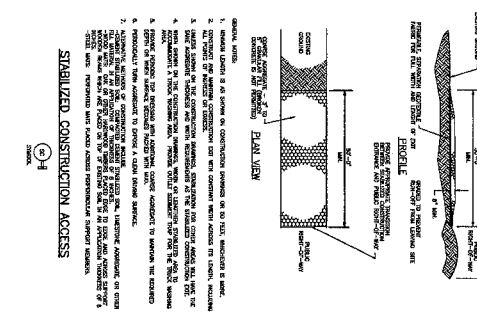
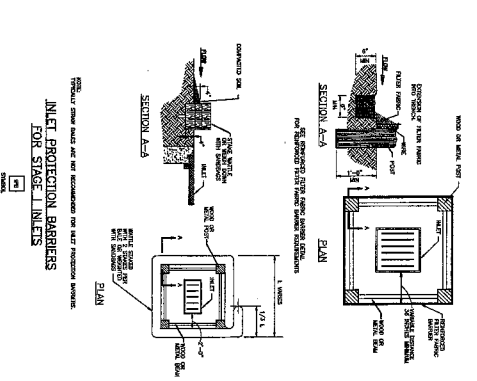
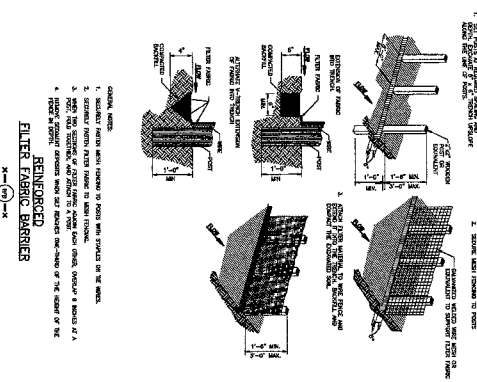
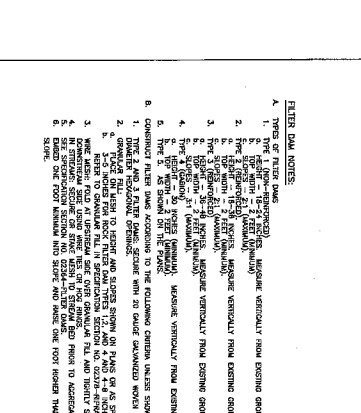
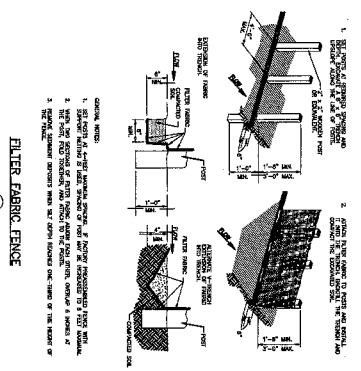


NOTES:

1. ALL DIMENSIONS ARE IN FEET AND INCHES.
2. THE CONTRACTOR SHALL BE RESPONSIBLE FOR OBTAINING ALL NECESSARY PERMITS AND APPROVALS FROM THE APPROPRIATE AGENCIES.
3. THE CONTRACTOR SHALL MAINTAIN ACCESS TO ALL ADJACENT PROPERTIES AT ALL TIMES.
4. THE CONTRACTOR SHALL BE RESPONSIBLE FOR THE PROTECTION OF ALL UTILITIES AND STRUCTURES TO REMAIN.
5. THE CONTRACTOR SHALL MAINTAIN ALL EXISTING AND PROPOSED EROSION CONTROL MEASURES THROUGHOUT THE PROJECT.
6. THE CONTRACTOR SHALL BE RESPONSIBLE FOR THE PROTECTION OF ALL EXISTING AND PROPOSED EROSION CONTROL MEASURES THROUGHOUT THE PROJECT.
7. THE CONTRACTOR SHALL MAINTAIN ALL EXISTING AND PROPOSED EROSION CONTROL MEASURES THROUGHOUT THE PROJECT.
8. THE CONTRACTOR SHALL BE RESPONSIBLE FOR THE PROTECTION OF ALL EXISTING AND PROPOSED EROSION CONTROL MEASURES THROUGHOUT THE PROJECT.

	<p>FORT BEND COUNTY FAMILY LIFE OF GOD 7.5332 ACRE</p>	<p>GRADING PLAN</p> <p>DATE: January, 2014 SCALE: 1"=40'</p> <p>DRAWN BY: E.S. FINAL CHECK BY: S.H.</p>	<p>DAWSON VAN ORDEN CIVIL • MECHANICAL • ELECTRICAL • PLUMBING 1001 BAY FIELDS, SUITE 440, HOUSTON, TX 77057 OFFICE: 713.266.8884 WWW.DAWSONVANORDEN.COM REGISTRATION NO. F-5854</p>				
<p>CS</p>	<p>REVISIONS:</p> <table border="1" style="width: 100%;"> <thead> <tr> <th>NO.</th> <th>DESCRIPTION</th> </tr> </thead> <tbody> <tr> <td> </td> <td> </td> </tr> </tbody> </table>	NO.	DESCRIPTION			<p>FAMILY LIFE ASSEMBLY OF GOD - 13.164</p>	
NO.	DESCRIPTION						

241-000131840 FAMILY LIFE ASSEMBLY OF GOD-CAN PRIVATE 13.184 PPT-DT.DWG AUG 03 2015-9:37am AMET



APPROVAL IS GRANTED FOR APPROVEMENTS WHICH
 FIRST BEING CONTACTED RIGHTS OF WAY DEPT.
 APPROVEMENT IS MADE FOR ONE YEAR ONLY.
 APPROVED: [Signature]
 DATE: 1-1-15

REVISIONS:
 C11

FORT BEND COUNTY
 FAMILY LIFE
 ASSEMBLY OF GOD
 7.6532 ACRE

STORM WATER POLLUTION
 PREVENTION PLAN DETAILS
 DATE: January, 2014
 SCALE: A.T.S.
 DRAWN BY: [Signature]
 FINAL CHECK BY: [Signature]

DAWSON VAN ORDEN
 CIVIL • MECHANICAL • ELECTRICAL • PLUMBING
 6800 SAN FELICE, SUITE 140, HOUSTON TX 77067
 281-712-8884
 www.dawsonvanorden.com
 REGISTRATION NO. F-4554

Effective Date: February 5th, 2016

**PERFORMANCE BOND COVERING ALL CABLE, CONDUIT AND/OR POLE LINE
ACTIVITY IN, UNDER, ACROSS OR ALONG FORT BEND COUNTY ROADS
AUTHORIZED**

BOND NO 62663437

THE STATE OF TEXAS
COUNTY OF FORT BEND



KNOW ALL MEN BY THESE PRESENTS:

THAT WE, D & C Construction Services, LLC DBA Maco Construction

whose address is 1718 Humble Place Dr., Humble, TX 77338, Texas
hereinafter called the Principal, and WESTERN SURETY COMPANY,
a Corporation existing under and by virtue of the laws of the State of South Dakota
and authorized to do an indemnifying business in the State of Texas, and whose principal office is
located at P.O. Box 5077, Sioux Falls, SD 57117-5077

_____, whose officer residing in the State of Texas, authorized to
accept service in all suits and actions brought within said State is Stephen F. Coon

and whose address is P. O. Box 1166, Crosby, TX 77532-1166,
hereinafter called the Surety, and held and firmly bound unto, Robert E. Hebert, County Judge of
Fort Bend County, Texas, or his successors in office, in the full sum of _____
Five Thousand and 00/100 Dollars (\$ 5,000.00)

current, lawful money of the United States of America, to be paid to said Robert E. Hebert,
County Judge of Fort Bend County, Texas, or his successors in office, to which payment well and
truly to be made and done, we, the undersigned, bind ourselves and each of us, our heirs,
executors, administrators, successors, assigns, and legal representatives, jointly and severally, by
these presents.

THE CONDITION OF THIS BOND IS SUCH THAT, WHEREAS, the above bounden
principal contemplates laying, constructing, maintaining and/or repairing one or more cables,
conduits, and/or pole lines in, under, across and/or along roads, streets and highways in the
County of Fort Bend, and the State of Texas, under the jurisdiction of the Commissioners' Court
of Fort Bend County, Texas, pursuant to the Commissioners' Court order adopted on the 1st
day of December, A.D. 1980, recorded in Volume 13, of the Commissioners' Court
Minutes of Fort Bend County, Texas, regulating same, which Commissioners' Court order is
hereby referred to and made a part hereof for all purposes as though fully set out herein;

AND WHEREAS, the principal desires to provide Fort Bend County with a performance
bond covering all such cable, conduit and/or pole line activity;

NOW, THEREFORE, if the above bounden principal shall faithfully perform all its cable,
conduit and/or pole line activity (including, but not limited to the laying, construction,
maintenance and/or repair of cables, conduits and/or pole lines) in, under, across and/or along
roads, streets and highways in the County of Fort Bend and State of Texas, under the
jurisdiction of the Commissioners Court of Fort Bend County, Texas, pursuant to and in
accordance with minimum requirements and conditions of the above mentioned Commissioners'
Court order set forth and specified to be by said principal done and performed, at the time and in
the manner therein specified, and shall pay over and make good and reimburse Fort Bend
County, all loss and damages which Fort Bend County may sustain by reason of any failure or
default on the part of said principal, then this obligation shall be null and void, otherwise to
remain in full force and effect.

This bond is payable at the County Courthouse in the County of Fort Bend and State of Texas.

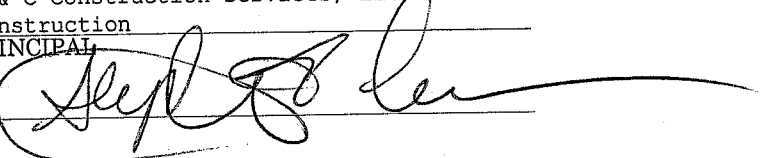
It is understood that at any time Fort Bend County deems itself insecure under this bond, it may require further and/or additional bonds of the principal.

EXECUTED this 3rd day of February, 2016.

D & C Construction Services, LLC, DBA Maco
Construction

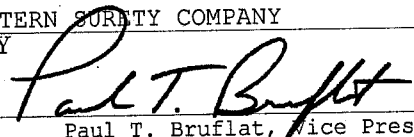
PRINCIPAL

BY

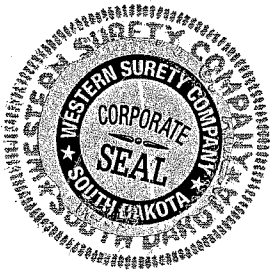


WESTERN SURETY COMPANY
SURETY

BY



Paul T. Bruflat, Vice President



Western Surety Company

POWER OF ATTORNEY

KNOW ALL MEN BY THESE PRESENTS:

That WESTERN SURETY COMPANY, a corporation organized and existing under the laws of the State of South Dakota, and authorized and licensed to do business in the States of Alabama, Alaska, Arizona, Arkansas, California, Colorado, Connecticut, Delaware, District of Columbia, Florida, Georgia, Hawaii, Idaho, Illinois, Indiana, Iowa, Kansas, Kentucky, Louisiana, Maine, Maryland, Massachusetts, Michigan, Minnesota, Mississippi, Missouri, Montana, Nebraska, Nevada, New Hampshire, New Jersey, New Mexico, New York, North Carolina, North Dakota, Ohio, Oklahoma, Oregon, Pennsylvania, Rhode Island, South Carolina, South Dakota, Tennessee, Texas, Utah, Vermont, Virginia, Washington, West Virginia, Wisconsin, Wyoming, and the United States of America, does hereby make, constitute and appoint

Paul T. Bruflat of Sioux Falls,
State of South Dakota, its regularly elected Vice President,
as Attorney-in-Fact, with full power and authority hereby conferred upon him to sign, execute, acknowledge and deliver for and on its behalf as Surety and as its act and deed, the following bond:

Cable, Conduit and/or Pole line Activity in, under, across or along County Roads County
One of Fort Bend

bond with bond number 62663437

for D & C Construction Services, LLC DBA Maco Construction
as Principal in the penalty amount not to exceed: \$ 5,000.00

Western Surety Company further certifies that the following is a true and exact copy of Section 7 of the by-laws of Western Surety Company duly adopted and now in force, to-wit:

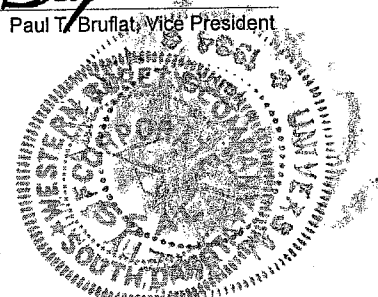
Section 7. All bonds, policies, undertakings, Powers of Attorney, or other obligations of the corporation shall be executed in the corporate name of the Company by the President, Secretary, any Assistant Secretary, Treasurer, or any Vice President, or by such other officers as the Board of Directors may authorize. The President, any Vice President, Secretary, any Assistant Secretary, or the Treasurer may appoint Attorneys-in-Fact or agents who shall have authority to issue bonds, policies, or undertakings in the name of the Company. The corporate seal is not necessary for the validity of any bonds, policies, undertakings, Powers of Attorney or other obligations of the corporation. The signature of any such officer and the corporate seal may be printed by facsimile.

In Witness Whereof, the said WESTERN SURETY COMPANY has caused these presents to be executed by its
Vice President with the corporate seal affixed this 3rd day of February,
2016

ATTEST

L. Nelson
L. Nelson, Assistant Secretary

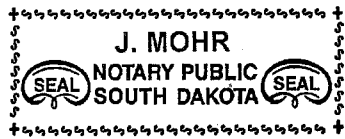
WESTERN SURETY COMPANY
By Paul T. Bruflat
Paul T. Bruflat, Vice President



STATE OF SOUTH DAKOTA }
COUNTY OF MINNEHAHA } ss

On this 3rd day of February, 2016, before me, a Notary Public, personally appeared
Paul T. Bruflat and L. Nelson

who, being by me duly sworn, acknowledged that they signed the above Power of Attorney as Vice President
and Assistant Secretary, respectively, of the said WESTERN SURETY COMPANY, and acknowledged said instrument to be the
voluntary act and deed of said Corporation.



J. Mohr
Notary Public
My Commission Expires June 23, 2021

To validate bond authenticity, go to www.cnasurety.com > Owner/Obligee Services > Validate Bond Coverage.



Figure: 28 TAC §1.601(a)(3)

1 IMPORTANT NOTICE

To obtain information or make a complaint:

2 You may contact Western Surety Company, Surety Bonding Company of America or Universal Surety of America at 605-336-0850.

3 You may call Western Surety Company's, Surety Bonding Company of America's or Universal Surety of America's toll-free telephone number for information or to make a complaint at:

1-800-331-6053

4 You may also write to Western Surety Company, Surety Bonding Company of America or Universal Surety of America at:

P.O. Box 5077
Sioux Falls, SD 57117-5077

5 You may contact the Texas Department of Insurance to obtain information on companies, coverages, rights or complaints at:

1-800-252-3439

6 You may write the Texas Department of Insurance:

P.O. Box 149104
Austin, TX 78714-9104
Fax: (512) 490-1007
Web: www.tdi.texas.gov
E-Mail: ConsumerProtection@tdi.texas.gov

7 PREMIUM OR CLAIM DISPUTES:

Should you have a dispute concerning your premium or about a claim you should contact Western Surety Company, Surety Bonding Company of America or Universal Surety of America first. If the dispute is not resolved, you may contact the Texas Department of Insurance.

8 ATTACH THIS NOTICE TO YOUR POLICY:

This notice is for information only and does not become a part or condition of the attached document.

AVISO IMPORTANTE

Para obtener informacion o para someter una queja:

Puede comunicarse con Western Surety Company, Surety Bonding Company of America o Universal Surety of America al 605-336-0850.

Usted puede llamar al numero de telefono gratis de Western Surety Company's, Surety Bonding Company of America's o Universal Surety of America's para informacion o para someter una queja al:

1-800-331-6053

Usted tambien puede escribir a Western Surety Company, Surety Bonding Company of America o Universal Surety of America:

P.O. Box 5077
Sioux Falls, SD 57117-5077

Puede comunicarse con el Departamento de Seguros de Texas para obtener informacion acerca de companias, coberturas, derechos o quejas al:

1-800-252-3439

Puede escribir al Departamento de Seguros de Texas:

P.O. Box 149104
Austin, TX 78714-9104
Fax: (512) 490-1007
Web: www.tdi.texas.gov
E-Mail: ConsumerProtection@tdi.texas.gov

DISPUTAS SOBRE PRIMAS O RECLAMOS:

Si tiene una disputa concerniente a su prima o a un reclamo, debe comunicarse con el Western Surety Company, Surety Bonding Company of America o Universal Surety of America primero. Si no se resuelve la disputa, puede entonces comunicarse con el departamento (TDI).

UNA ESTE AVISO A SU POLIZA: Este aviso es solo para proposito de informacion y no se convierte en parte o condicion del documento adjunto.