

16 N

REVIEW BY FORT BEND COUNTY COMMISSIONERS COURT

On this 28th day of July, 2015, Commissioners Court came on to be heard and reviewed the accompanying notice of Devcon International Ltd.

Job Location 301 Gonyo Lane, Richmond, TX 77469

Date 7/14/2015 Bond No. TX 881222, Permit No. 2015-1491 to make use of certain Fort Bend County property subject to, "A Revised Order Regulating the Laying, Construction, Maintenance, and Repair of Buried Cables, Conduits, and Pole Lines, In, Under, Across or Along Roads, Streets, Highways, and Drainage Ditches in Fort Bend County, Texas, Under the Jurisdiction of the Commissioners Court of Fort Bend County, Texas," as passed by the Commissioners Court of Fort Bend County, Texas the 3rd day of August, 1987, recorded in Volume _____ of the Minutes of the Commissioners Court of Fort Bend County, Texas, to the extent that such order is not inconsistent with Article 1436a, Vernon's Texas Civil Statutes. Upon Motion of Commissioner Meyers, seconded by Commissioner Morrison, duly put and carried, it is ORDERED, ADJUDGED AND DECREED that said notice of said above purpose is hereby acknowledged by the Commissioners Court of Fort Bend County, Texas, and that said notice be placed on record according to the regulation order thereof.

Notes:

1. Evidence of review by the Commissioners Court must be kept on the job site and failure to do so constitutes grounds for job shutdown.
2. Written notices are required:
 - a. 48 hours in advance of construction start up, and
 - b. when construction is completed and ready for final inspection
 Mail notices to: Permit Administrator
 Fort Bend County Engineering
 301 Jackson Street
 Richmond, Texas 77469
 281-633-7500
3. This permit expires one (1) year from date of permit if construction has not commenced.

By: [Signature]
County Engineer

Presented to Commissioners Court and approved.
Recorded in Volume 7-28-15
Minutes of Commissioners Court

By: N/A
Drainage District Engineer/Manager

Clerk of Commissioners Court
By: [Signature]
Deputy

**PERFORMANCE BOND COVERING ALL CABLE, CONDUIT AND/OR POLE LINE
ACTIVITY IN, UNDER, ACROSS OR ALONG FORT BEND COUNTY ROADS**

AUTHORIZED

BOND NO TX 881222

THE STATE OF TEXAS

§

KNOW ALL MEN BY THESE PRESENTS:

COUNTY OF FORT BEND

§

THAT WE, Devcon International, Ltd. whose address is 5630 N. Eldridge Pkwy, #900, Houston, Texas 77041, Texas, hereinafter called the Principal, and Merchants Bonding Company (Mutual), a Corporation existing under and by virtue of the laws of the State of Iowa and authorized to do an indemnifying business in the State of Texas, and whose principal office is located at 2100 Fleur Drive, Des Moines, Iowa 50321, whose officer residing in the State of Texas, authorized to accept service in all suits and actions brought within said State is Audrey Williams and whose address is 9500 Arboretum Blvd, Suite 100, Austin, Texas 78759, hereinafter called the Surety, and held and firmly bound unto, Robert E. Hebert, County Judge of Fort Bend County, Texas, or his successors in office, in the full sum of Five Thousand and No/100*** Dollars (\$5,000.00***) current, lawful money of the United States of America, to be paid to said Robert E. Hebert, County Judge of Fort Bend County, Texas, or his successors in office, to which payment well and truly to be made and done, we, the undersigned, bind ourselves and each of us, our heirs, executors, administrators, successors, assigns, and legal representatives, jointly and severally, by these presents.

THE CONDITION OF THIS BOND IS SUCH THAT, WHEREAS, the above bounden principal contemplates laying, constructing, maintaining and/or repairing one or more cables, conduits, and/or pole lines in, under, across and/or along roads, streets and highways in the County of Fort Bend, and the State of Texas, under the jurisdiction of the Commissioners' Court of Fort Bend County, Texas, pursuant to the Commissioners' Court order adopted on the 1st day of December, A.D. 1980, recorded in Volume 13, of the Commissioners' Court Minutes of Fort Bend County, Texas, regulating same, which Commissioners' Court order is hereby referred to and made a part hereof for all purposes as though fully set out herein;

AND WHEREAS, the principal desires to provide Fort Bend County with a performance bond covering all such cable, conduit and/or pole line activity;

NOW, THEREFORE, if the above bounden principal shall faithfully perform all its cable, conduit and/or pole line activity (including, but not limited to the laying, construction, maintenance and/or repair of cables, conduits and/or pole lines) in, under, across and/or along roads, streets and highways in the County of Fort Bend and State of Texas, under the jurisdiction of the Commissioners Court of Fort Bend County, Texas, pursuant to and in accordance with minimum requirements and conditions of the above mentioned Commissioners' Court order set forth and specified to be by said principal done and performed, at the time and in the manner therein specified, and shall pay over and make good and reimburse Fort Bend County, all loss and damages which Fort Bend County may sustain by reason of any failure or default on the part of said principal, then this obligation shall be null and void, otherwise to remain in full force and effect.

This bond is payable at the County Courthouse in the County of Fort Bend and State of Texas.

It is understood that at any time Fort Bend County deems itself insecure under this bond, it may require further and/or additional bonds of the principal.

EXECUTED this 2nd day of July, 2015.

Devcon International, Ltd.

PRINCIPAL

BY Mirza Shirazi

Merchants Bonding Company (Mutual)

SURETY

BY Donna Weinel, Attorney-in-Fact

MERCHANTS
BONDING COMPANY™
POWER OF ATTORNEY

Know All Persons By These Presents, that MERCHANTS BONDING COMPANY (MUTUAL) and MERCHANTS NATIONAL BONDING, INC., both being corporations duly organized under the laws of the State of Iowa (herein collectively called the "Companies"), and that the Companies do hereby make, constitute and appoint, individually,

A A Shotwell; Betty A Bush; Donna Weinel; G C Blystone Jr; Joseph C Blackshear Jr;
Katy Kurtz; Mark Smith

of Texas City and State of Texas their true and lawful Attorney-in-Fact, with full power and authority hereby conferred in their name, place and stead, to sign, execute, acknowledge and deliver in their behalf as surety any and all bonds, undertakings, recognizances or other written obligations in the nature thereof, subject to the limitation that any such instrument shall not exceed the amount of:

FIFTEEN MILLION (\$15,000,000.00) DOLLARS

and to bind the Companies thereby as fully and to the same extent as if such bond or undertaking was signed by the duly authorized officers of the Companies, and all the acts of said Attorney-in-Fact, pursuant to the authority herein given, are hereby ratified and confirmed.

This Power-of-Attorney is made and executed pursuant to and by authority of the following By-Laws adopted by the Board of Directors of the Merchants Bonding Company (Mutual) on April 23, 2011 and adopted by the Board of Directors of Merchants National Bonding, Inc., on October 24, 2011.

"The President, Secretary, Treasurer, or any Assistant Treasurer or any Assistant Secretary or any Vice President shall have power and authority to appoint Attorneys-in-Fact, and to authorize them to execute on behalf of the Company, and attach the seal of the Company thereto, bonds and undertakings, recognizances, contracts of indemnity and other writings obligatory in the nature thereof.

The signature of any authorized officer and the seal of the Company may be affixed by facsimile or electronic transmission to any Power of Attorney or Certification thereof authorizing the execution and delivery of any bond, undertaking, recognizance, or other suretyship obligations of the Company, and such signature and seal when so used shall have the same force and effect as though manually fixed."

In Witness Whereof, the Companies have caused this instrument to be signed and sealed this 30th day of April, 2015.



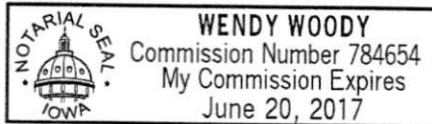
MERCHANTS BONDING COMPANY (MUTUAL)
MERCHANTS NATIONAL BONDING, INC.

By *Larry Taylor*
President

STATE OF IOWA
COUNTY OF POLK ss.

On this 30th day of April, 2015, before me appeared Larry Taylor, to me personally known, who being by me duly sworn did say that he is President of the MERCHANTS BONDING COMPANY (MUTUAL) and MERCHANTS NATIONAL BONDING, INC.; and that the seals affixed to the foregoing instrument is the Corporate Seals of the Companies; and that the said instrument was signed and sealed in behalf of the Companies by authority of their respective Boards of Directors.

In Testimony Whereof, I have hereunto set my hand and affixed my Official Seal at the City of Des Moines, Iowa, the day and year first above written.



Wendy Woody

Notary Public, Polk County, Iowa

STATE OF IOWA
COUNTY OF POLK ss.

I, William Warner, Jr., Secretary of the MERCHANTS BONDING COMPANY (MUTUAL) and MERCHANTS NATIONAL BONDING, INC., do hereby certify that the above and foregoing is a true and correct copy of the POWER-OF-ATTORNEY executed by said Companies, which is still in full force and effect and has not been amended or revoked.

In Witness Whereof, I have hereunto set my hand and affixed the seal of the Companies on this 2nd day of July, 2015.



William Warner Jr
Secretary



MERCHANTS BONDING COMPANY (MUTUAL) • MERCHANTS NATIONAL BONDING, INC.
2100 FLEUR DRIVE • DES MOINES, IOWA 50321-1158 • (800) 678-8171 • (515) 243-3854 FAX

IMPORTANT NOTICE

To obtain information or make a complaint:

You may contact your insurance agent at the telephone number provided by your insurance agent.

You may call Merchants Bonding Company (Mutual) toll-free telephone number for information or to make a complaint at:

1-800-678-8171

You may contact the Texas Department of Insurance to obtain information on companies, coverages, rights or complaints at:

1-800-252-3439

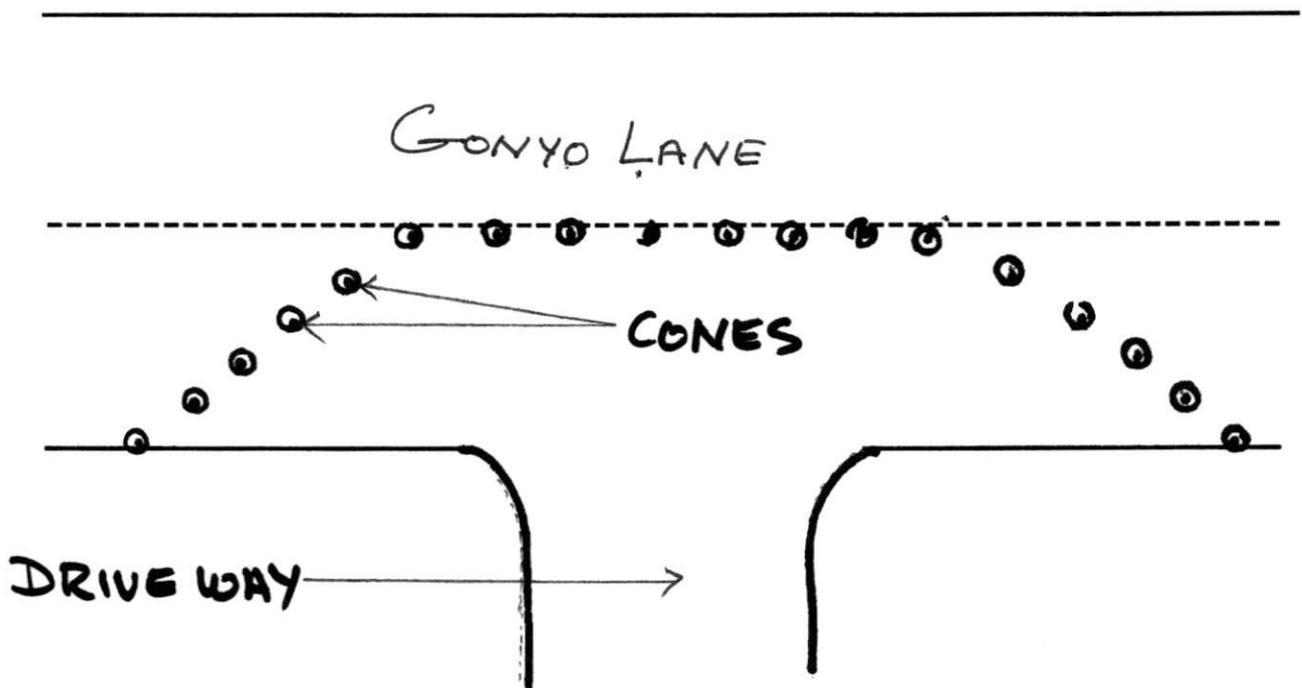
You may write the Texas Department of Insurance at:

P. O. Box 149104
Austin, TX 78714-9104
Fax: (512) 475-1771
Web: <http://www.tdi.state.tx.us>
E-mail: ConsumerProtection@tdi.texas.gov

PREMIUM AND CLAIM DISPUTES: Should you have a dispute concerning your premium or about a claim you should contact the agent first. If the dispute is not resolved, you may contact the Texas Department of Insurance.

ATTACH THIS NOTICE TO YOUR POLICY: This notice is for information only and does not become a part or condition of the attached document.

Traffic Control
301 Gonyo Lane
Richmond, Tx 77469

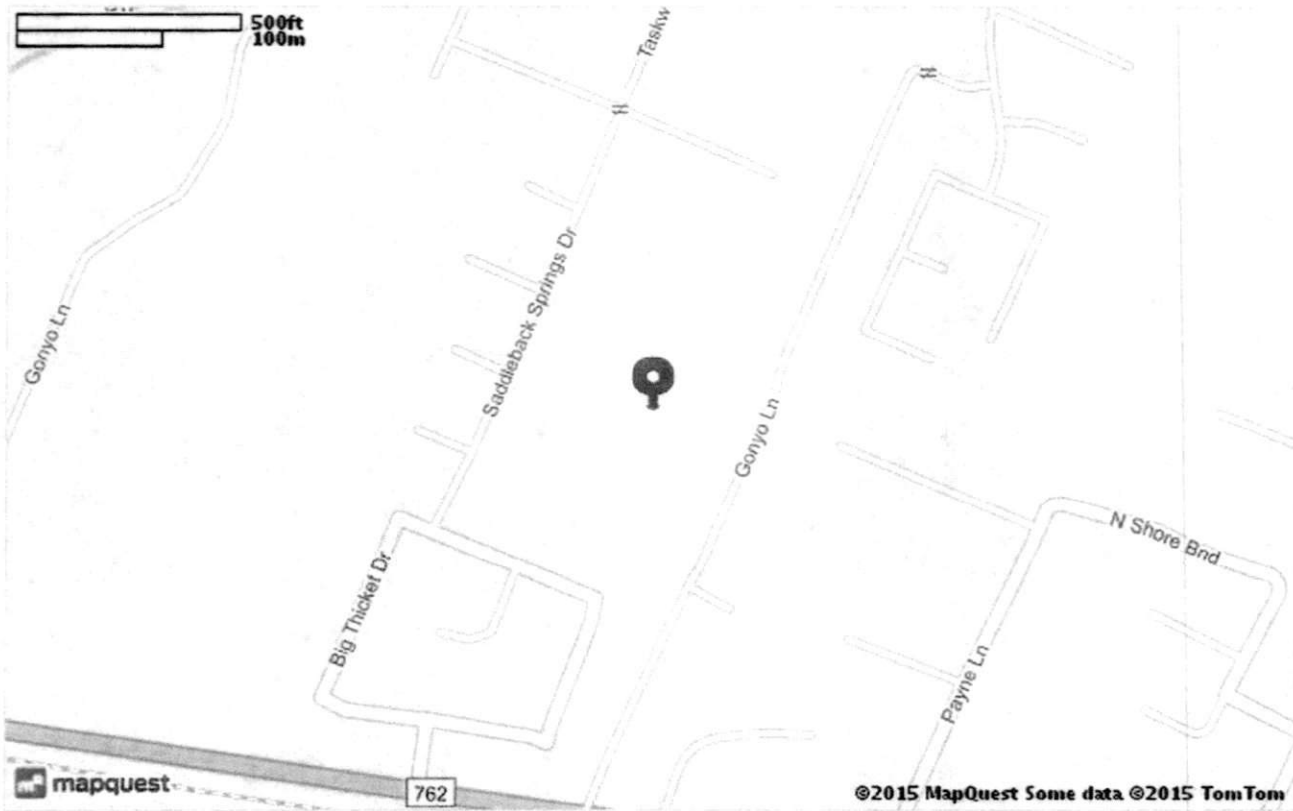


- A. Number of days required for traffic control will be three.
- B. Cones will be placed approximately 20' (twenty feet) on each side of the Driveway. They will be spaced at 10' (ten feet) intervals.
- C. There will be a flagman posted at the entrance of the driveway, for traffic flow control.
- D. An extra flagman will be posted if necessary.



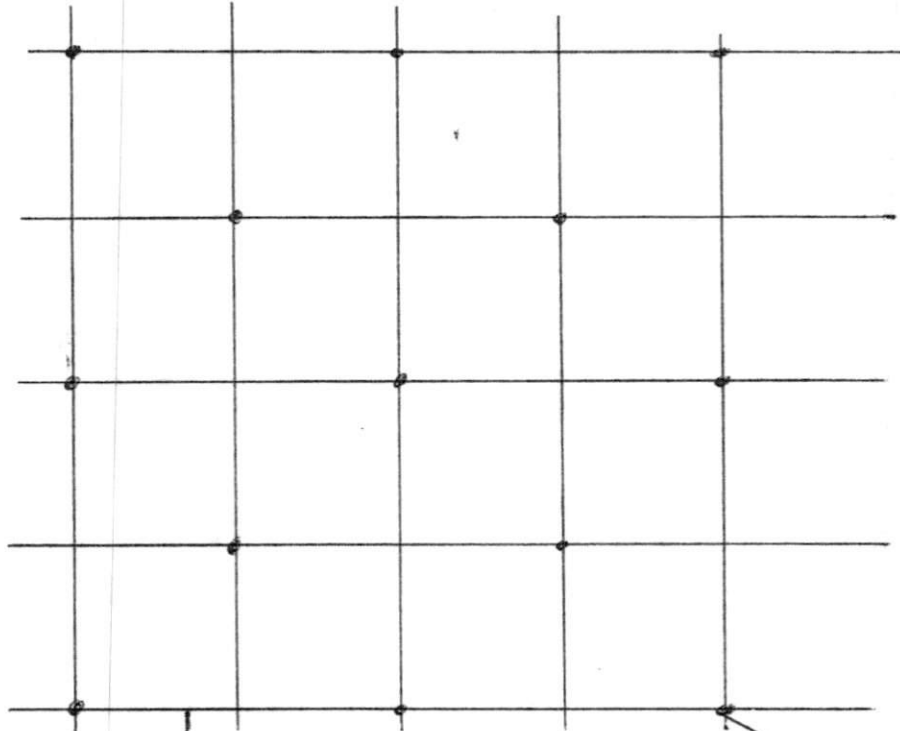
Map of:
301 Gonyo Ln
Richmond, TX 77469-9311

Notes



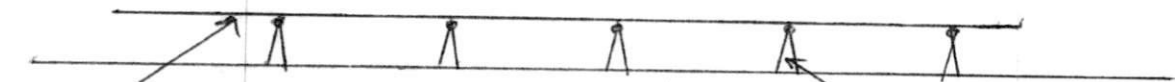
REBAR LAYOUT PLAN

TOP VIEW



↓ #3 REBAR SET SQUARE
16" OC

→ PLACEMENT
OF CHAIR

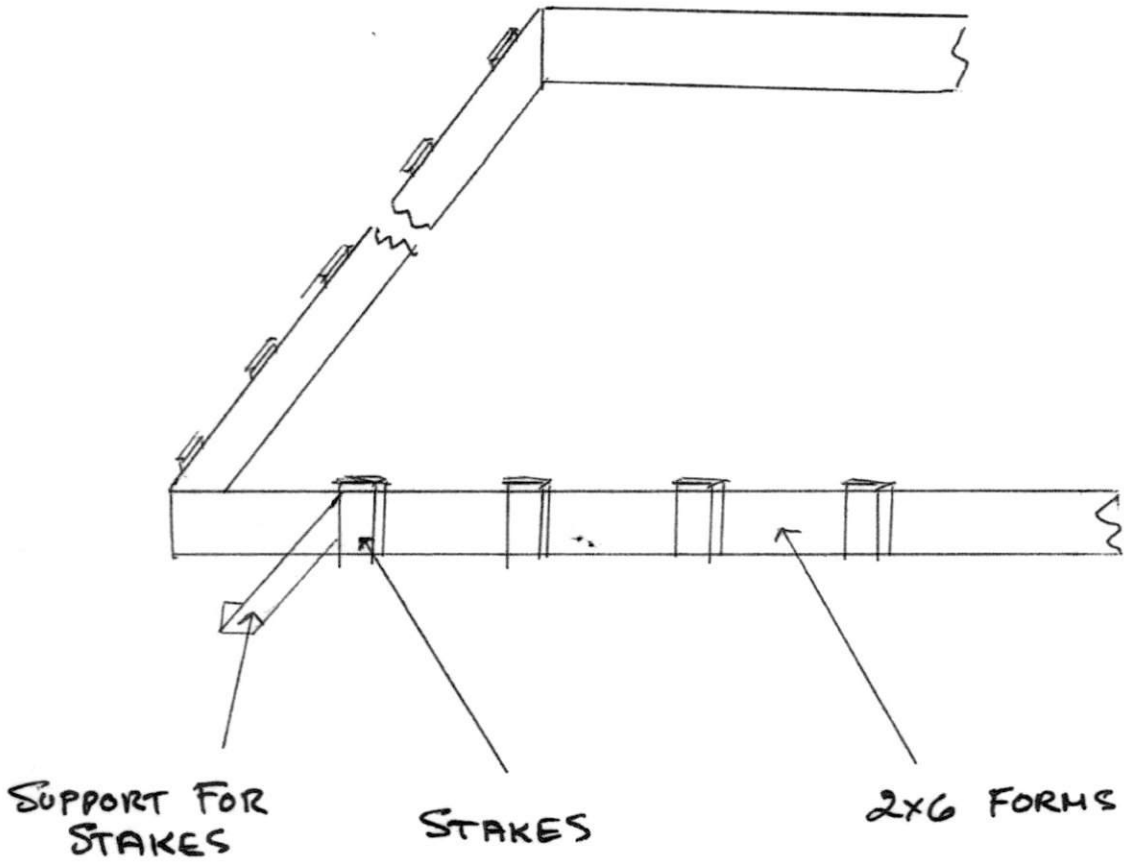


→ REBAR

SIDE VIEW

→ CHAIR

FORMS SET UP



NOTE: SHAPE WILL VARY

2015-1491

07/14/2015 08:35 AM

301 Gonyo Lane

Applicant:
Devcon International Ltd.
Mirza Shirazi

Paid By: Applicant

Devcon International Ltd.
Mirza Shirazi
5630 N. Eldridge Pkwy, # 900 Houston, TX

Permit Type

Type	Fee
Commercial Driveway Permit (\$150)	\$150.00
Total	\$150.00

Payments

Payment ID	Payment Date	Payment Type	Description	Ref. Number	Amount
650763	07/14/2015	Check	COMMERCIAL DRIVEWAY	1157	\$150.00
Total					\$150.00
Discount Total					(\$0.00)
Payment Amount					\$150.00
Balance Due					\$0.00

THIS IS NOT A PERMIT. This receipt does not authorize you to begin construction of your project.