

STATE OF TEXAS

§
§
§

KNOW ALL MEN BY THESE PRESENTS:

COUNTY OF FORT BEND

**SECOND AMENDMENT TO
AGREEMENT FOR ON-SITE HEALTH SERVICES**

THIS SECOND AMENDMENT is made and entered into by and between Fort Bend County, a body corporate and politic under the laws of the State of Texas, by and through the Fort Bend County Commissioners Court, hereinafter referred to as the "County," and CONCENTRA HEALTH SERVICES, INC., hereinafter referred to as "CONCENTRA" authorized to conduct business in the State of Texas.

RECITALS

WHEREAS, County and CONCENTRA entered an Agreement for On-Site Health Services commencing October 1, 2011 and a First Amendment on July 12, 2011, (collectively, the "Agreement" and "First Amendment") attached hereto as Exhibit B & C, incorporated by reference as if set forth herein verbatim. County and CONCENTRA desire to amend said Agreement as if set forth herein.

NOW, THEREFORE, in consideration of the foregoing, the Agreement between County and CONCENTRA is hereby amended as follows:

- A. Commencing April 1, 2012, an additional monthly amount of \$3,245.00 shall be provided to CONCENTRA for additional staff for the Clinic in the form of a Radiology Technician as provided in Exhibit A of this Amendment. County shall pay to CONCENTRA an amount not to exceed \$1,413,207.00 over the twenty-four (24) month term, payable as follows and in accordance with the fee schedule as set forth below. CONCENTRA shall invoice County no more frequently than monthly, and County shall remit payment to CONCENTRA within thirty (30) days of receipt of invoice.

MONTH	TOTAL	MONTH	TOTAL
January 2012	\$134,373	January 2013	\$56,503
February 2012	\$51,963	February 2013	\$56,503
March 2012	\$51,963	March 2013	\$56,503
April 2012	\$55,208	April 2013	\$56,503
May 2012	\$55,208	May 2013	\$56,503
June 2012	\$55,208	June 2013	\$56,503
July 2012	\$55,208	July 2013	\$56,503
August 2012	\$55,208	August 2013	\$56,203
September 2012	\$55,208	September 2013	\$56,503
October 2012	\$55,208	October 2013	\$56,503
November 2012	\$55,208	November 2013	\$56,503
December 2012	\$55,208	December 2013	\$56,503
Total Year 1	\$735,171	Total Year 2	\$678,036

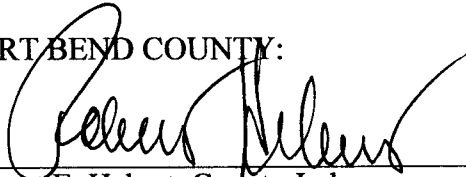
- B. In addition to monthly services as provided in the Agreement, Concentra shall supply at the Clinic certain x-ray equipment as identified in Exhibit A. The x-ray equipment provided at the Clinic shall be new and shall be of sufficient quality to satisfy the needs of County. County shall be the owner of the x-ray equipment and shall be responsible for all maintenance. County shall pay to CONCENTRA an amount not to exceed \$77,450 for the x-ray equipment. Concentra shall invoice County for the equipment and County shall remit payment to CONCENTRA within thirty (30) days of receipt of the invoice and after sufficient testing of the equipment.
- C. Except as modified herein, the Agreement and First Amendment remain in full force and effect and has not been modified or amended.
- D. If there is a conflict between this Second Amendment and the Agreement and First Amendment, the provisions of this Amendment shall prevail.

REMAINDER OF PAGE INTENTIONALLY LEFT BLANK

EXECUTION


IN TESTIMONY AND WITNESS OF WHICH this Agreement has been executed in duplicate originals as follows:

FORT BEND COUNTY:

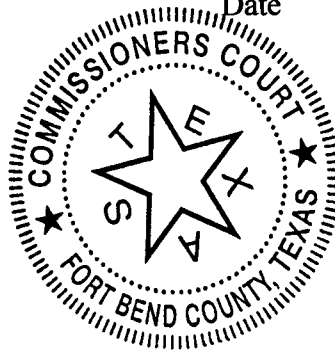


Robert E. Hebert, County Judge


3-13-2012
Date

Attest: 

Dianne Wilson, County Clerk



CONCENTRA HEALTH SERVICES, INC.



Signature

March 2, 2012
Date

Robert F Ratini

Printed Name
VP Operations

Title

Attachments:

- Exhibit A: Concentra proposal dated February 23, 2011
- Exhibit B: Agreement for On-Site Health Services dated November 23, 2010
- Exhibit C: First Amendment dated July 12, 2011

Exhibit A



February 23, 2011

Gilbert Jalomo, CPPB
County Purchasing Agent
Fort Bend County
Purchasing Department
Rosenberg Annex
4520 Reading Road, Suite A
Rosenberg, Texas 77471

RE: X-Ray Services for Employee, Dependent, and Retiree On-Site Medical Clinic

Dear Mr. Jalomo:

Concentra is pleased to be the County's current provider for On-Site Medical Services, which was awarded through RFP 10-076. We would like to propose an amendment to the current agreement to allow us to provide radiology services in the County's Employee Medical Center.

To provide these services, Concentra would propose to replace one of the contracted Medical Assistant positions for a Radiology Technician. This will increase the annual staffing costs from \$50,772 for the Medical Assistant to \$89,706 for the Radiology Technician which represents an additional \$38,934 cost per year.

Pricing:

Fort Bend County will be responsible for the cost of facility build-out. The x-ray equipment will become the property of Fort Bend County. The cost of equipment for X-ray consulting and equipment would be in accordance with the following chart:

Plan Review Shielding	\$250	
Implementation Team Costs	\$1,200	<i>Travel and associated costs of planning and Xray setup and PACS training</i>
Xray Machine/Install (includes elevating table, generator, & HD wallstand)	\$36,000	<i>Cost incurred is machine and installation in a properly prepared room.</i>
Digital Processor/Install	\$36,000	<i>This includes all necessary hardware and software at both doctor work stations...also applications training on both the CR and x-ray console</i>
Software License fee/Initial	\$4,000	<i>One time start up fee.</i>
TOTAL	\$77,450	

Improving America's health, one patient at a time.



On-going costs for X-ray services are estimated in the following chart:

Radiology Read	<i>per exam</i>	\$12.25	
Offsite Storage	<i>annually</i>	\$1,200	<i>Based on volume... estimate only</i>
Software License fee	<i>annually</i>	\$500	<i>after first year License fee</i>
Xray badge per RT	<i>monthly</i>	\$11	
Maintenance Fee	<i>monthly</i>	\$350	<i>after first year warranty</i>

Implementation and Training Schedule:

NOTE: There is a minimum of 3 weeks lead time from equipment order to install.

Once the equipment has arrived at the install location you can expect the following install schedule:

Day 1 - Equipment is delivered to the site, unpacked and install begins.

Day 2 - Vendor focus is on installing the x-ray machine.

Day 3- National Director of Concentra Radiology Services arrives to do digital CR and physician view station setup to sync with our PACS.

Day 4 & 5 - x-ray tech and physician user training. Techs (Lead tech needs to be an RT) on the CR, X-ray console and view station (approx 4 hours) physicians on view station only (approx 1 hour each)

Service Agreements and Maintenance Agreements:

Notes: The following information is considered confidential and proprietary to Concentra. This should be used only on a need to know basis.

The service fees come into affect after the warranties have expired.

Warranty coverage period: Digital CR @ one year & X-ray Machine @ five years.

NHD CONCENTRA DIGITAL SERVICE AGREEMENT

NHD will provide its Managed Service Program (MSP™) on all Computed Radiography (CR's) and x-ray systems throughout all Concentra facilities, based on the following:

- Managed Service Program (MSP™) Rate:

All periodic maintenance and normal office hour services, parts, sub-components, glassware, etc. will be provided at the following rate: \$5,350.00 per facility per year (Assumes one CR and one X-ray machine at each facility),

- Scope of Work:
 - * CR and X-Ray Units
 - Includes all cleanings (quarterly), Preventive Maintenance (one per year), and calibrations (one per year).
 - Includes all service labor.
 - Includes all parts and glassware. (See Exclusions)
 - Travel will be at no charge as long as facility is within 80 miles of Shareholder location. (¼ hour increments based on an hourly rate of \$85.00) *



- Exclusions
 - Failures due to operator negligence, plumbing, electrical, or venting problems.
 - Failures to CR equipment Circuit Control Boards or Optical Unit.
 - Failures to X-ray Equipment frame members.
 - Failures in customer-supplied add-ons or modifications.
 - Failures due to misuse, abuse, or Acts of God

Gateway Router Software (qty 1 required at all centers)		
Gateway QC/Viewer		
Multi-Modality QC/Viewer Software License		
Radiology Workflow Engine		
Supports multiple monitors up to 3MP		
CD Burning of Patient CDs with Viewer		
DICOM Store/Query/Retrieve/Worklist/Print		
DICOM Routing and Archiving		
Quantity Commitment Discount Schedule		
-- Assumes Concentra will install software		
(one time cost)		
Monitoring included (minimum order of 10 Gateways with initial PO)		
1	Qty - 1-31	5,699/ea.
1	Qty - 31-100	3,999/ea. (INITIAL SOFTWARE LICENSE FEE)
1	Qty - 101-200	3,499/ea.
1	Qty - 201-300	2,999/ea.
1	Annual Software license fee	\$500 per (RECURRING ANNUAL LICENSE FEE AFTER 1 ST YEAR) (MAINTENANCE FEE IS \$350/MONTH AFTER FIRST YEAR WARRANTY)
Would need to order 30 over the first 12 months.		
Optional one-time Center fees (if required) from Ramsoft		
1	Remote Installation	\$ 500 (THIS WILL NOT BE CHARGED TO FT BEND)
1	On-Site Training/day	1,750/ea. (THIS WILL NOT BE CHARGED TO FT BEND)
1	Remote Training/day	1,000/ea. (THIS WILL NOT BE CHARGED TO FT BEND)
All Routers include support; software updates; major version software upgrades.		
Terms: F.O.B. seller's location. Shipping, handling and sales tax not included. Quotation valid for thirty (30) days. Terms: net 30		
Notes: Quote assumes all modalities are DICOM compliant, unless DICOM conversion is quoted. Quote does not include communication lines, routers, switches, or cabling. Storage is quoted as raw storage, actual capacity will vary based on data compression. Remote access is required for support. Labor and expenses associated with lack of remote access to system is billable at current rates.		

Thank you in advance for your consideration of this proposal for additional services.

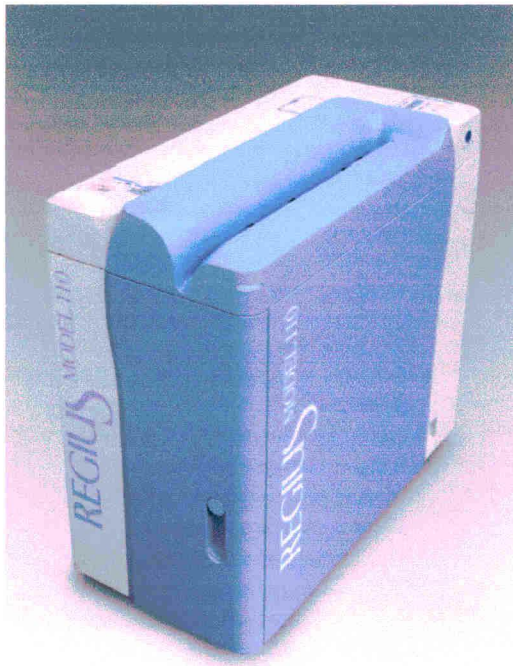
Sincerely yours,

Sam Tishler
Assistant Vice President – Strategic Account Management



KONICA MINOLTA

REGIUS NANO CR – P Class The Private Physician Solution



Go Digital... It's Quick, Easy and Affordable!

Now you can convert your private practice to digital radiography with the REGIUS NANO CR system. It is a high performance system that offers compact size and dependability! Processing 60 (14" x 17") plates per hour, the NANO CR lets you take care of more patients in less time.

The Nano CR features intelligent control station software with auto recognition and self learning capabilities. You will be able to generate high quality diagnostic images with minimal training and fewer steps for improved workflow.

Features and Benefits

- Cassette release handle allows user access to remove a jammed cassette... no service call necessary!
- Intelligent systems adjust image quality to your preference
- Dual reader orientation option for customized space utilization
- Optical unit sweeper enables self-maintenance for pristine image quality and longer product lifetime
- Our patented, rigid image plate is contact free within the CR Reader eliminating the potential for image artifacts and extends the life of the plate.

Everything you need in one package!

- Superior image quality right out of the box
- Space saving cart is included. Houses all components of the Nano P Class.
- Four standard sized cassettes and plates are included for your convenience.

NANO CR
The Physician Solution

The essentials of imaging

“Going Digital” with NANO CR Computed Radiography

The value of “Going Digital” is well known. The benefits include the elimination of wet processing chemicals, the reduction of retakes and the consistent production of high quality images. However, users may often be concerned with the learning curve often associated with new technology adoption. Nano CR eliminates these concerns. The built in intelligence of this system allows first-time users of Computed Radiography to produce consistent, high quality images out of the box with minimal instruction.

Nano CR Reader Specifications*

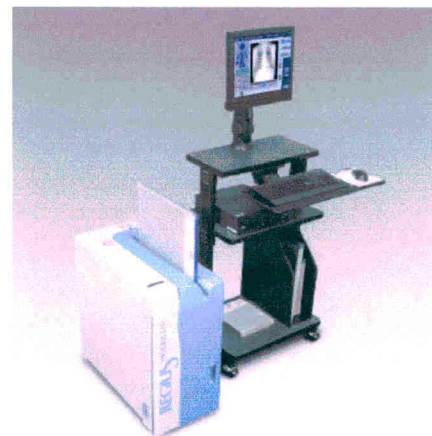
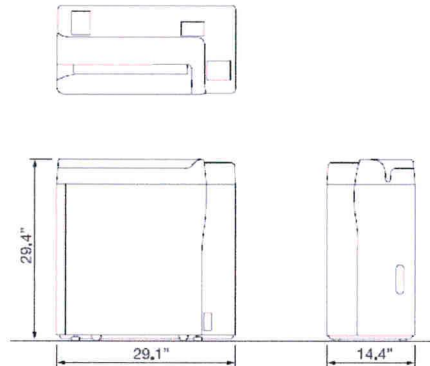
Exposure Size	14 x 17", 14 x 14", 11 x 14", 10 x 12", 8 x 10", 18 x 24cm, 24 x 30cm, 15 x 30cm
Maximum Resolution	2010 x 2446 (14 x 17")
Digital Gradation Level	4096 levels (12 bit)
Processing Capacity	Approximately 60 plates an hour (14 x 17")
Cassette Feed / Load Time or Cassette Cycle Time	Approximately 47 seconds (14 x 17")
Outer Dimensions / Weight	W29.1" x D14.4" x H29.4" / Approximately 229 lbs.
Power Consumption	AC 100/115/120/200/220/230/240V ±10%, 50/60 Hz; Approx. 700 VA or less
Operating Conditions	Temperature: 15°C – 30°C Humidity: 35% – 80% RH (no condensation)

*Specifications are subject to change without notice.

Control Station Specifications*

DICOM Services	DICOM Storage (CR/DX SCU) or DICOM Print SCU DICOM Modality Worklist SCU DICOM Grayscale Standard Display Function SCU DICOM Modality Performed Procedure Step SCU DICOM Grayscale Standard Presentation State SCU DICOM Storage Commitment SCU
Image Output	Up to 2 DICOM Store Plus 1 Backup Up to 1 DICOM Print Plus 1 Backup
Image Processing	Automatic Gradation Processing (G processing) Frequency Processing (F processing) Equalization Processing (E processing) Hybrid Processing (H processing)
Image Storage Capacity	Approximately 5,000 images
Dimensions	PC: 7.2"(W) x 15.8"(D) x 14.5"(H) Touch Screen: 15.0"(W) x 20.3"(H) x 8.2"(D)
Weight	PC: 25 lbs.; Touch Screen: 18 lbs.
Power Source	PC: AC 100-240V, 50/60 Hz Touch Screen: AC 100-240V, 50/60 Hz
Heat Generation	PC: Approximately 160 Watts or 548.8 BTU Touch Screen: 40 Watts or 136 BTU
Operating Conditions	Temperature: 15°C – 35°C Humidity: 40% – 80% (non condensing)

*Specifications are subject to change without notice.



Konica Minolta's Commitment to Customer Satisfaction

At Konica Minolta, your complete satisfaction is our number one goal. From pre-installation through the lifetime of your investment, our professional staff provides the technical expertise you need. Project Management, Applications Training, and Field Services are different teams of Konica Minolta professionals that work together to maintain your continued satisfaction over the lifetime of your investment.

Maximize your investment in CR equipment by selecting the right Blue Moon CR Lifecycle Products and Customer Satisfaction Agreements to ensure the ongoing operational excellence and productivity that your department needs.



KONICA MINOLTA

KONICA MINOLTA MEDICAL IMAGING USA, INC.
411 NEWARK POMPTON TURNPIKE
WAYNE, NJ 07470
TEL: (973) 633-1500 FAX: (973) 523-7408
WEBSITE: medical.konicaminolta.us

©2007 Konica Minolta

ELEVATING TABLE

TABLE MOTION

Maximum height 34 inches above finished floor
Minimum height 23 inches above finished floor
Table top travel 30 inches longitudinal, 10 inches transverse
Lock holding force 60 lbs min transverse, 50 lbs min longitudinal
Bucky travel 18 inches, 8 lbs minimum lock holding force
Film plane to table top (3.50 inches nominal, 4.00 inches with AEC for optional 650 lb table)
Adjustable automatic stop for 40" SID working height.

SPACE REQUIREMENTS

Table top 30 inches wide, 84 inches long (76 inch top available)
Table base 30 inches by 52 inches
Table base rear to bucky centerline . . . 13 inches
84" clearance to wall is required for mounting top as top slides on from end of base.

ELECTRICAL

120 VAC; 6 Amp maximum, 2 Amp continuous. A 15 ft. supply cable with plug is provided.
The supply cable can be routed through rear of table or through the floor.

MOUNTING SPECIFICATIONS

Tabletop slides on from end of base only. Four floor anchors required (not provided), each with minimum pullout strength of 500 lbs. For reference, a 3/8" steel expansion anchor with 2" of embedment in 3000 psi concrete provides apx. 600 lbs of pullout force.

SHIPPING INFORMATION

The table comes assembled as one carton plus one palletized carton.

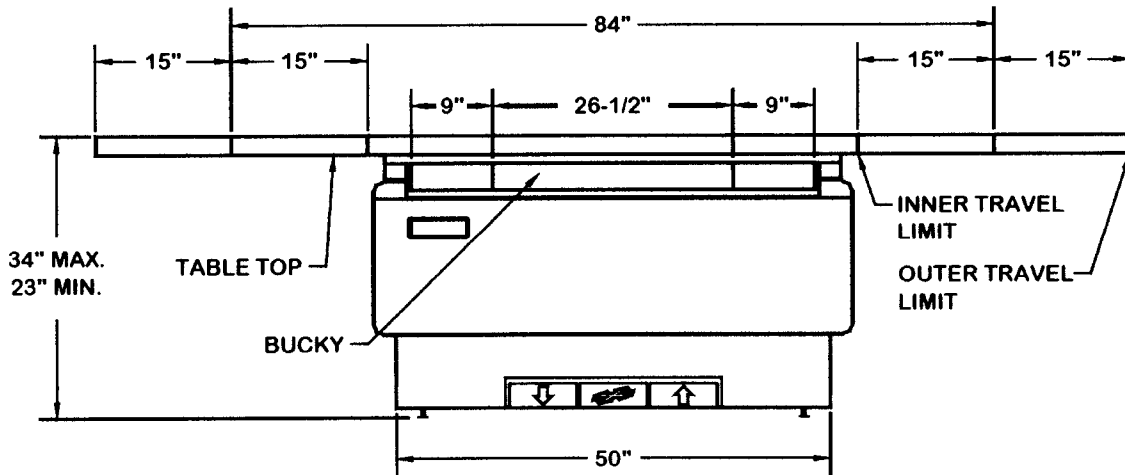
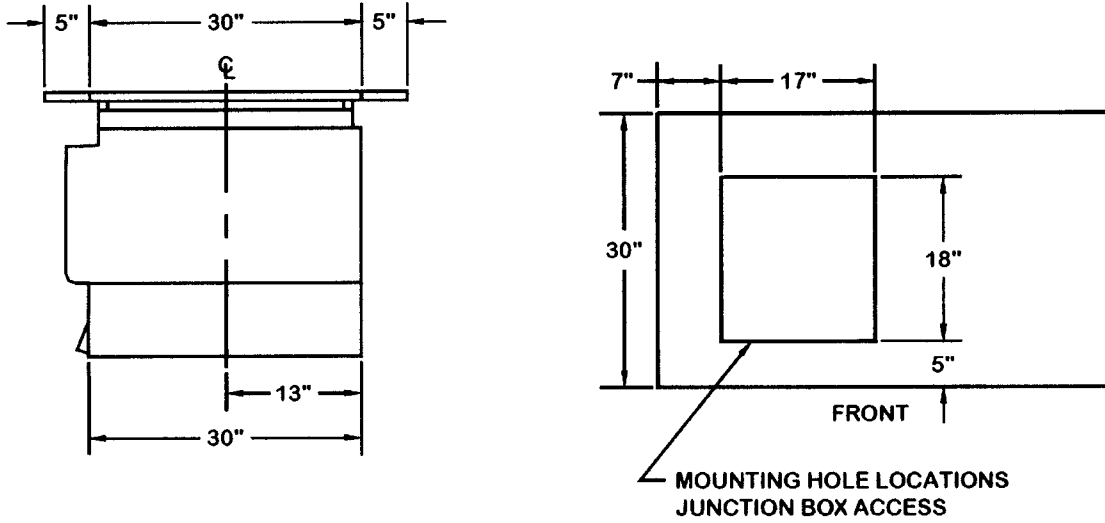
Contents	Dimensions	Weight
Table top	90 x 3 x 31 inches	110 lbs. gross, 105 lbs. net
Table base	54 x 32 x 32 inches, including pallet	550 lbs. gross, 485 lbs. net

MISCELLANEOUS

Hand grips and patient restraints available. Accessory rails provided.
Stainless steel table top frame. Rated for 400-pound patient load. (650 pound patient load rating is optional). Not recommended for super speed buckys.

Specifications subject to revision.

ELEVATING TABLE ROOM LAYOUT



TDS017 Rev. D
Page 2 of 2

20 kHz HIGH FREQUENCY GENERATOR

This sleekly designed, UL classified, 30 kW generator is fully microprocessor controlled. Closed loop stabilization allows extremely accurate and repeatable output. Single kV increments and direct mAs selection allow quick and precise technique adjustment. 2-point technique selection mode provides operator adjustments of kV & mAs. Anatomical selection mode provides preprogrammed technique factors based upon patient anatomy, selecting the highest available mA for the shortest available exposure time. Options include AEC (automatic exposure control).

SPACE REQUIREMENTS

Power Module (H.T. transformer enclosed)	20.5" width, 17.5" depth, 37.5" height
Generator Console	17" width, 8.5" depth, 3" height
Communication Cables (from Console to Power Module)	(2) 50' standard, 1.5" conduit required
Cable Access	At power module rear, 24" above floor

ELECTRICAL REQUIREMENTS

Characteristic	30kW	40kW	50kW
Line Frequency	50 60Hz	50 60Hz	50 60Hz
Rated Line Voltage (Nominal)	240VAC, 1-phase	240VAC, 3-phase	240VAC, 3-phase
Alternate Line Voltages	200-229VAC (see note 1)	200-229VAC or 380-500VAC (see notes 2 & 3)	200-229VAC or 380-500VAC (see notes 2 & 3)
Maximum Momentary Line Current	200A @ 240VAC, single- phase	154A @ 240VAC 3-phase	193A @ 240VAC 3-phase
Long Time Line Current	3A @ 240VAC single-phase	2A @ 240VAC 3-phase	2A @ 240VAC 3-phase
Minimum rating of over-current protection & disconnect switch	100A @ 240VAC	100A @ 240VAC	100A @ 240VAC
Distribution Transformer supplying power to the unit	37.5kVA, 1-phase	37.5kVA, 3-phase	45kVA, 3-phase
Maximum allowable voltage drop under full load	5%	5%	5%
Recommended copper wire sizes (see note 4)	#2 for 50' run, #00 for 100' run, 250 MCM for 200' run	#2 for 50' run, #00 for 100' run, 250 MCM for 200' run	#2 for 50' run, #00 for 100' run, 250 MCM for 200' run
Auxiliary power supplies provided (see note 5)	24VAC @ 7A for Collimator & 24VDC @ 5A. for electric locks	24VAC @ 7A for Collimator & 24VDC @ 5A. for electric locks	24VAC @ 7A for Collimator & 24VDC @ 5A. for electric locks

Notes:

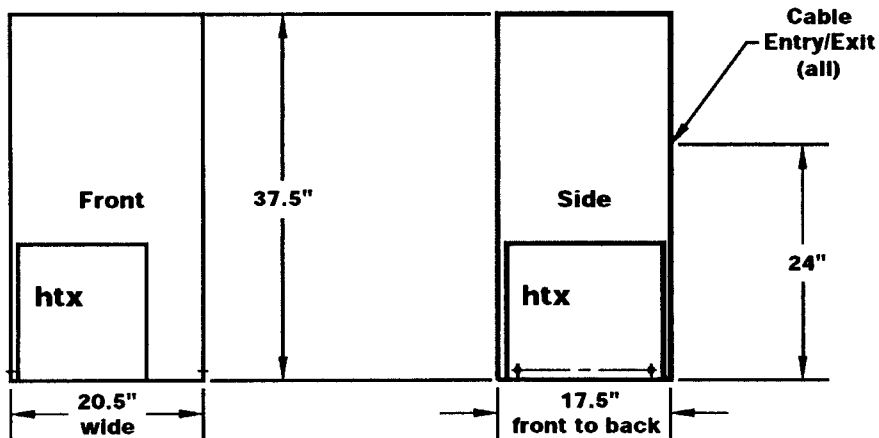
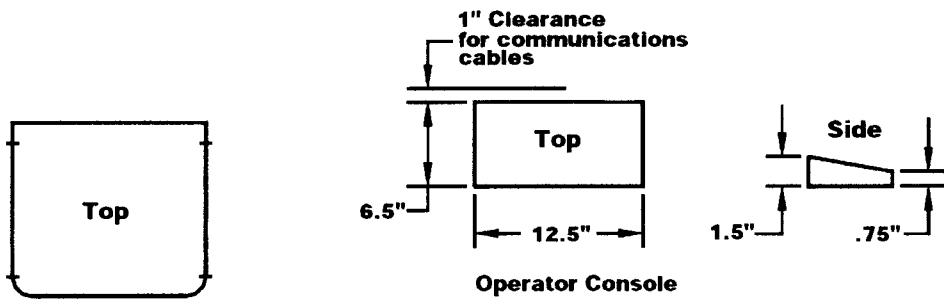
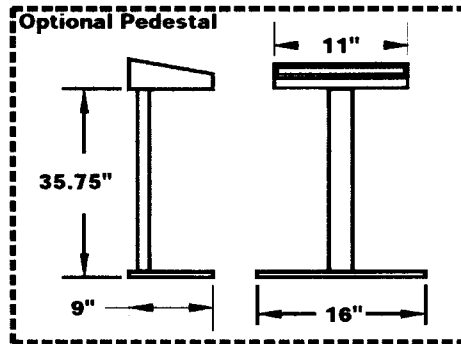
- 200-229VAC operation requires step-up line match transformer #L246
- 200-229VAC operation requires step-up line match transformer #03902-01
- 380-500VAC operation requires step-down line match transformer #03902-02
- "Run" is defined as the length of wire between distribution transformer & disconnect switch
- The generator does not provide 110-120 VAC supply

SHIPPING INFORMATION

CONTENTS	DIMENSIONS (on pallet)	WEIGHT
Console & Power Module	32" width, 28" depth, 42" height	215 lbs.

Specifications subject to change without notice.

20 kHz High Frequency Generator



Power Module

- (2) Removable Covers:
- Main Wrap (Front, L&R Side & Top) (4 Screws)
- Rear (8 Screws)

Heavy Duty Center-mounted Wallstand Left or Right Load

This wallstand is used with a 17 x 17 inch grid cabinet or 17 x 17 inch bucky.
The wallstand is available with electric lock version only.
Specify right-hand or left-hand load at time of order.

SPECIFICATIONS

Vertical travel of film center 15 inches min. 70 inches max (above finished floor)
Film plane to wall 11 inches min.
Wallstand height 86 inches including wall mounting bracket
Minimum ceiling height 88 inches
Front panel filtration 1.0 mm Al equivalent max

ELECTRICAL 120 VAC, 1 Amp continuous. A power supply with
12 foot cable for 120 VAC input and 20 foot cable
for 24 VDC output is provided.

MOUNTING SPECIFICATIONS

Can be configured for load left or load right at time of installation.
Two wall anchors (not provided) of 500 lbs. holding force minimum each required.
Two floor anchors (not provided) of 500 lbs. holding force each required.
For reference, a #10 steel woodscrew with 2.5" of thread engagement into
construction grade wood provides apx. 750 lbs of pull-out strength, and a 3/8" steel
expansion anchor with 2" of embedment in 3000 psi concrete provides apx. 600 lbs
of pullout strength.

SHIPPING INFORMATION

This product is shipped as one carton, and three cartons on one pallet.

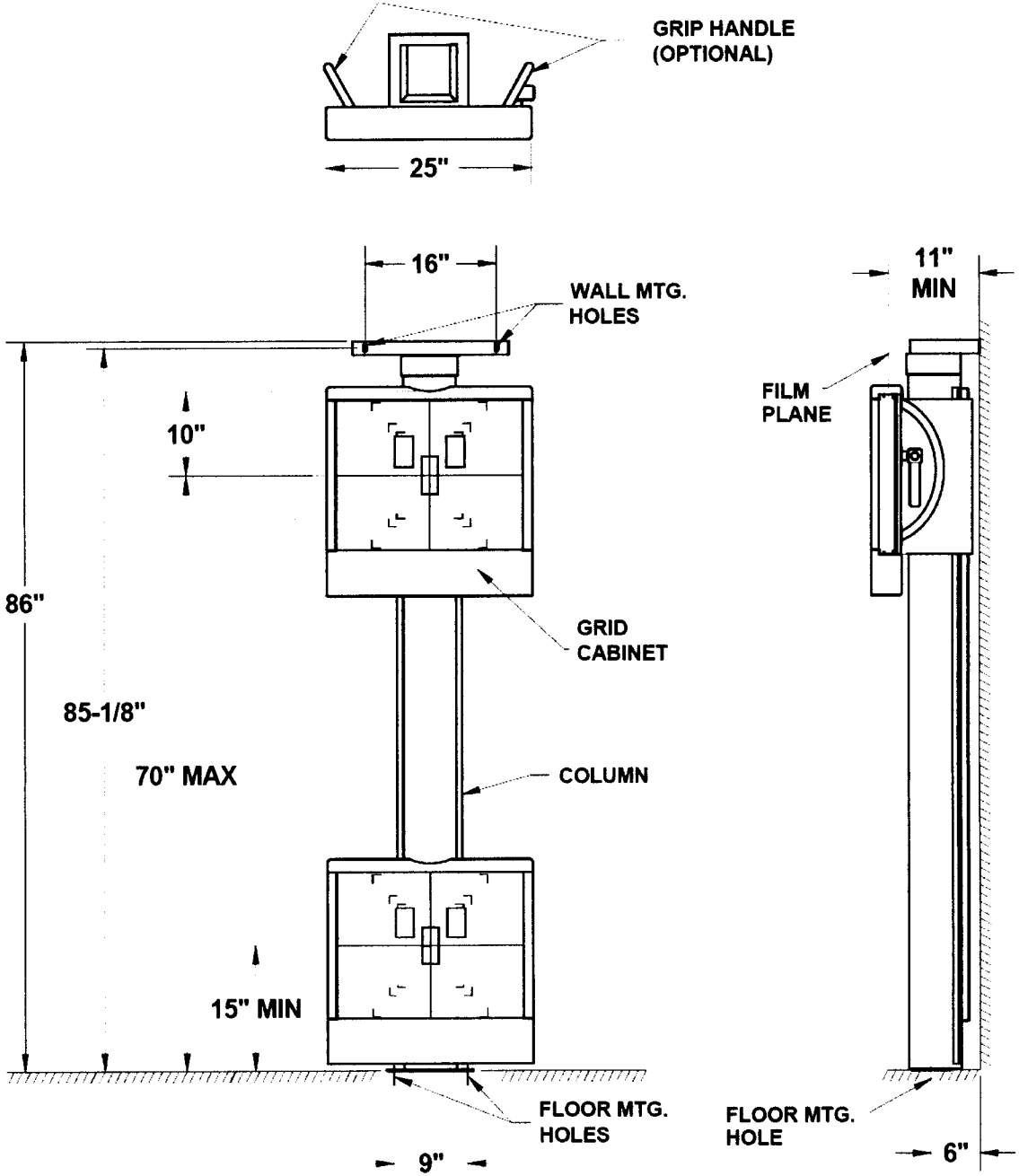
Contents	Dimensions	Weight
column	86 x 8.5 x 8.5 inches	75 lbs gross, 70 lbs net
grid cabinet	26 x 11 x 23 inches	All on one pallet with a gross weight of 230 lbs, net weight 220 lbs.
vertical slide, mounting plates	26 x 11 x 23 inches	
counterweight and cables	12 x 18 x 12 inches	

MISCELLANEOUS

Accepts English or metric equivalent cassettes from 8 inches min to 17 inches max.
AEC compatible.

Specifications subject to revision.

WALLSTAND ROOM LAYOUT



TDS035 Rev. A
Page 2 of 2