

REVIEW BY FORT BEND COUNTY COMMISSIONERS COURT

On this 22 day of DECEMBER, 2009, before the Fort Bend Commissioners Court came on to be heard and reviewed the accompanying notice of LEM CONSTRUCTION COMPANY, INC

Job Location STAFFORD RUN CREEK

Dated 12/14/09 BOND NO. 6535010 Permit No. 83694

to make use of certain Fort Bend County property subject to, "A Revised Order Regulating the Laying, Construction, Maintenance, and Repair of Buried Cables, Conduits, and Pole Lines, In, Under, Across or Along Roads, Streets, Highways, and Drainage Ditches in Fort Bend County, Texas, Under the Jurisdiction of the Commissioners Court of Fort Bend County, Texas," as passed by the Commissioners Court of Fort Bend County, Texas, date the 3rd day of August, 1987, recorded in Volume _____ of the Minutes of the Commissioners Court of Fort Bend County, Texas, to the extent that such order is not inconsistent with Article 1436a, Vernon's Texas Civil Statues. Upon Motion of Commissioner Meyers, seconded by Commissioner Prestage, duly put and carried, it is ORDERED, ADJUGED AND DECREED that said notice of said above purpose is hereby acknowledged by the Commissioners Court of Fort Bend County, Texas, and that said notice be placed on record according to the regulation order thereof.

Notes:

- 1. Evidence of review by the Commissioners Court must be kept on the job site and failure to do so constitutes grounds for job shutdown.
- 2. Written notices are required:
 - a. 48 hours in advance of construction start up, and
 - b. When construction is completed and ready for final inspection

Mail notices to: Permit Administrator
Fort Bend County Engineering
P.O. Box 1449
Rosenberg, Texas 77471
281-633-7500

- 3. This permit expires one (1) year from date of permit if construction has not commenced.

By Road Archberg
for County Engineer

By _____
Drainage District Engineer/Manager

Presented to Commissioners Court and approved.
Recorded in Volume 12-22-09
Minutes of Commissioners Court.

Clerk of Commissioners Court
By Sherry Fism
Deputy

PERFORMANCE BOND COVERING ALL CABLE, CONDUIT AND/OR POLE LINE
ACTIVITY IN, UNDER, ACROSS OR ALONG FORT BEND COUNTY ROADS

AUTHORIZED

BOND NO 6535010

THE STATE OF TEXAS §

KNOW ALL MEN BY THESE PRESENTS:

COUNTY OF FORT BEND §

THAT WE, LEM Construction Company, Inc. whose address is 10849 Kinghurst #150, Houston, Texas, hereinafter called the Principal, and Safeco Ins. Co. of America, a Corporation existing under and by virtue of the laws of the State of Texas and authorized to do an indemnifying business in the State of Texas, and whose principal office is located at 1600 N Collins Blvd #3000, Richardson, TX, whose officer residing in the State of Texas, authorized to accept service in all suits and actions brought within said State is Safeco and whose address is 1600 N Collins Blvd #3000, Richardson, TX, hereinafter called the Surety, and held and firmly bound unto, Robert E. Hebert, County Judge of Fort Bend County, Texas, or his successors in office, in the full sum of Five Thousand Dollars (\$5,000.) current, lawful money of the United States of America, to be paid to said Robert E. Hebert, County Judge of Fort Bend County, Texas, or his successors in office, to which payment well and truly to be made and done, we, the undersigned, bind ourselves and each of us, our heirs, executors, administrators, successors, assigns, and legal representatives, jointly and severally, by these presents.

THE CONDITION OF THIS BOND IS SUCH THAT, WHEREAS, the above bounden principal contemplates laying, constructing, maintaining and/or repairing one or more cables, conduits, and/or pole lines in, under, across and/or along roads, streets and highways in the County of Fort Bend, and the State of Texas, under the jurisdiction of the Commissioners' Court of Fort Bend County, Texas, pursuant to the Commissioners' Court order adopted on the 1st day of December, A.D. 1980, recorded in Volume 13, of the Commissioners' Court Minutes of Fort Bend County, Texas, regulating same, which Commissioners' Court order is hereby referred to and made a part hereof for all purposes as though fully set out herein;

AND WHEREAS, the principal desires to provide Fort Bend County with a performance bond covering all such cable, conduit and/or pole line activity;

NOW, THEREFORE, if the above bounden principal shall faithfully perform all its cable, conduit and/or pole line activity (including, but not limited to the laying, construction, maintenance and/or repair of cables, conduits and/or pole lines) in, under, across and/or along roads, streets and highways in the County of Fort Bend and State of Texas, under the jurisdiction of the Commissioners Court of Fort Bend County, Texas, pursuant to and in accordance with minimum requirements and conditions of the above mentioned Commissioners' Court order set forth and specified to be by said principal done and performed, at the time and in the manner therein specified, and shall pay over and make good and reimburse Fort Bend County, all loss and damages which Fort Bend County may sustain by reason of any failure or default on the part of said principal, then this obligation shall be null and void, otherwise to remain in full force and effect.

This bond is payable at the County Courthouse in the County of Fort Bend and State of Texas.


It is understood that at any time Fort Bend County deems itself insecure under this bond, it may require further and/or additional bonds of the principal.

EXECUTED this 15th day of October, 2009.

LEM Construction Company, Inc.
PRINCIPAL


BY Larry Laird H., Vice President

Safeco Insurance Co of America
SURETY


BY Karen Brooks, Attorney-In-Fact



POWER OF ATTORNEY

Safeco Insurance Company of America
General Insurance Company of America
1001 4th Avenue
Suite 1700
Seattle, WA 98154

No. 10551

KNOW ALL BY THESE PRESENTS:

That SAFECO INSURANCE COMPANY OF AMERICA and GENERAL INSURANCE COMPANY OF AMERICA, each a Washington corporation, does each hereby appoint

JAMES BERRY; KAREN BROOKS; JAMES D. FRITH; SAM KING; SUSAN PALMER; Houston, Texas

its true and lawful attorney(s)-in-fact, with full authority to execute on its behalf fidelity and surety bonds or undertakings and other documents of a similar character issued in the course of its business, and to bind the respective company thereby.

IN WITNESS WHEREOF, SAFECO INSURANCE COMPANY OF AMERICA and GENERAL INSURANCE COMPANY OF AMERICA have each executed and attested these presents

this 21st day of March, 2009

Dexter R. Legg

T. Mikolajewski

Dexter R. Legg, Secretary

Timothy A. Mikolajewski, Vice President

CERTIFICATE

Extract from the By-Laws of SAFECO INSURANCE COMPANY OF AMERICA and of GENERAL INSURANCE COMPANY OF AMERICA:

"Article V, Section 13. - FIDELITY AND SURETY BONDS ... the President, any Vice President, the Secretary, and any Assistant Vice President appointed for that purpose by the officer in charge of surety operations, shall each have authority to appoint individuals as attorneys-in-fact or under other appropriate titles with authority to execute on behalf of the company fidelity and surety bonds and other documents of similar character issued by the company in the course of its business... On any instrument making or evidencing such appointment, the signatures may be affixed by facsimile. On any instrument conferring such authority or on any bond or undertaking of the company, the seal, or a facsimile thereof, may be impressed or affixed or in any other manner reproduced; provided, however, that the seal shall not be necessary to the validity of any such instrument or undertaking."

Extract from a Resolution of the Board of Directors of SAFECO INSURANCE COMPANY OF AMERICA and of GENERAL INSURANCE COMPANY OF AMERICA adopted July 28, 1970.

"On any certificate executed by the Secretary or an assistant secretary of the Company setting out,

- (i) The provisions of Article V, Section 13 of the By-Laws, and
(ii) A copy of the power-of-attorney appointment, executed pursuant thereto, and
(iii) Certifying that said power-of-attorney appointment is in full force and effect,

the signature of the certifying officer may be by facsimile, and the seal of the Company may be a facsimile thereof."

I, Dexter R. Legg, Secretary of SAFECO INSURANCE COMPANY OF AMERICA and of GENERAL INSURANCE COMPANY OF AMERICA, do hereby certify that the foregoing extracts of the By-Laws and of a Resolution of the Board of Directors of these corporations, and of a Power of Attorney issued pursuant thereto, are true and correct, and that both the By-Laws, the Resolution and the Power of Attorney are still in full force and effect.

IN WITNESS WHEREOF, I have hereunto set my hand and affixed the facsimile seal of said corporation

this 15th day of October, 2009



Dexter R. Legg

Dexter R. Legg, Secretary

Figure: 28 TAC §1.601(a)(3)

1 IMPORTANT NOTICE

To obtain information or make a complaint:

2 You may contact Home Office Surety at
1-206-473-3799

3 You may call (company)'s toll-free telephone
number for information or to make a complaint
at:

(800) 472-5357 Surety Option #7

4 You may also write to Safeco
Insurance Company at:
PO Box 34526
Seattle, WA 98124-1526

5 You may contact the Texas Department of
Insurance to obtain information on companies,
coverages, rights or complaints at:

(800) 252-3439

6 You may write the Texas Department of
Insurance:

P.O. Box 149104
Austin, TX 78714-9104
Fax: (512) 475-1771
Web: <http://www.tdi.state.tx.us>
E-mail: ConsumerProtection@tdi.state.tx.us

7 PREMIUM OR CLAIM DISPUTES:

Should you have a dispute concerning your
premium or about a claim you should contact
the (agent) (company) (agent or the company)
first. If the dispute is not resolved, you may
contact the Texas Department of Insurance.

8 ATTACH THIS NOTICE TO YOUR POLICY:

This notice is for information only and does not
become a part or condition of the attached
document.

AVISO IMPORTANTE

Para obtener información o para someter
una queja:

Usted puede contactar a servicio de la oficina
principal de Safeco Surety al: 1-206-473-3799

Usted puede llamar al número de teléfono
gratis de (company)'s para información o
para someter una queja al:

(800) 472-5357 Surety Opción De #7

Usted también puede escribir a Safeco
Insurance Company
PO Box 34526
Seattle, WA 98124-1526

Puede comunicarse con el Departamento de
Seguros de Texas para obtener información
acerca de compañías, coberturas, derechos
o quejas al:

(800) 252-3439

Puede escribir al Departamento de Seguros
de Texas:

P.O. Box 149104
Austin, TX 78714-9104
Fax: (512) 475-1771
Web: <http://www.tdi.state.tx.us>
E-mail: ConsumerProtection@tdi.state.tx.us

DISPUTAS SOBRE PRIMAS O RECLAMOS:

Si tiene una disputa concerniente a su prima o a
un reclamo, debe comunicarse con el (agente) (la
compañía) (agente o la compañía) primero. Si no
se resuelve la disputa, puede entonces
comunicarse con el departamento (TDI).

UNA ESTE AVISO A SU POLIZA:

Este aviso
es sólo para propósito de información y no se
convierte en parte o condición del documento
adjunto.

COUNTY OF FORT BEND

Engineering Department

P.O. BOX 1449
Rosenberg, Texas 77471-1449

Johnny Ortega
Permit Administrator

1124 Blume Road
Phone: (281) 341-7500

PERMIT APPLICATION REVIEW FORM FOR CABLE, CONDUIT, AND POLE LINE ACTIVITY IN FORT BEND COUNTY

PERMIT NO. 083694

The following "Notice of Proposed Cable, Conduit, and/or Pole Line activity in Fort Bend County" and accompanying attachments have been reviewed and the notice conforms to appropriate regulations set by Commissioner's Court of Fort Bend County, Texas.

- (1) Complete Application Form.
- a. Name of road, street, and/or drainage ditch affected.
- b. Vicinity map showing course of direction.
- c. Plans and specifications.

- (2) Bond:
- District Attorney, approval when applicable.
- Perpetual bond currently posted.
- No. _____
- Amount _____
- Performance bond submitted.
- No. 6535010
- Amount \$5,000.00
- Cashier's Check.
- No. _____
- Amount _____

- (3) Verbal permission given for emergencies, to start construction before approved in Commissioner's Court.

Precinct Engineer Acknowledgment Date _____

Precinct Commissioner Acknowledgment Date _____

- (4) David Jalowy 12/11/09
Drainage District Approval when applicable

We have reviewed this project and agree it meets minimum requirements.

Johnny Ortega
Johnny Ortega CFM/ Permit Administrator
(REVISED 5/30/08)

10/21/2009
Date

**NOTICE OF PROPOSED CABLE, CONDUIT AND/OR POLE LINE ACTIVITY
IN, UNDER, ACROSS OR ALONG ROADS, STREETS, HIGHWAYS AND DRAINAGE DITCHES
IN FORT BEND COUNTY**

APPLICANT'S JOB NO. 2009-03

PERMIT No. _____ PCT. No. _____

BOND No. 6535010

Formal notice is hereby given that LEH CONSTRUCTION COMPANY, INC. proposes to lay, construct, maintain and/or repair cable, conduit and/or pole line, in, under, across, or along roads, streets, highways and drainage ditches in Fort Bend County, as follows:

In, Under, or Across Roads and/or Drainage Ditches

Road or Ditch Name	Distance & Direction From Nearest Intersection	Length of Crossing	Type of Construction			
			Bored	Jacked	Driven	Cased

Along Roads and/or Drainage Ditches

Road or Ditch Name	Distance & Direction From Nearest Intersection	To	Distance
<u>STAFFORD RUN CREEK</u>	<u>1/2 MILE NW OF 5TH ST + CORINE ST.</u>		

General Description

60" DRAINAGE OUTFALL FROM WCHID No. 2 WATER PLANT.

The Location and description of the proposed installation and appurtenances is more fully shown on the attached detail drawings. The laying, construction, maintenance and/or repair of the proposed installation shall be subject to "A Revised Order Regulating the Laying, Construction, Maintenance and/or Repair of Cables, Conduits, and/or Pole Lines, In, Under, Across, or Along Roads, Streets, Highways and Drainage Ditches in Fort Bend County, Texas, Under the Jurisdiction of the Commissioners Court of Fort Bend County, Texas," as passed by Commissioners Court of Fort Bend County, Texas, dated the 3rd. day of August, 1987, recorded in Volume 639 of the Minutes of the Commissioners Court of Fort Bend County, Texas.

- Written notices are required: 1) 48 hours in advance of start of construction and
2) when construction is complete and ready for final inspection.

Mail to: Permit Administrator/Fort Bend County Engineering
P.O. Box 1449, Rosenberg, TX 77471.

Violation of requirements shall constitute grounds for job shut down.

COMPANY NAME: LEH CONSTRUCTION CO., INC.

AGENT and/or OWNER

Kenneth D. Seeringer
(Signature)

NAME & TITLE KENNETH D. SEERINGER
(Please Print)

DATE 10/19/09

ADDRESS 10849 KINGHORST ST, STE. 150
(Street/P.O. Box)

HOUSTON TX 77099
City State Zip

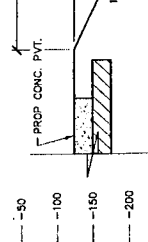
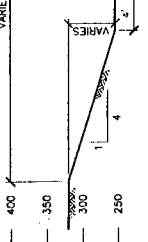
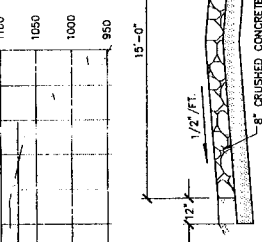
TELEPHONE NO: 281-744-8257
(accessible 24 hrs/day, 7 days/week)

<p align="center">Does project comply with Fort Bend County Outdoor Lighting Ordinance?</p> <p>Yes ()</p> <p>No ()</p>

LEGEND:

- EXISTING CONTOUR
- PROPOSED CONTOUR
- GRADE TO DRAIN
- STOCKPILE ZONE

POINT	NORTHING	EASTING	DESCRIPTION
750	-419.61	206.95	STORM
751	-420.45	207.79	STORM
752	-421.29	208.63	STORM
753	-422.13	209.47	STORM
754	-422.97	210.31	STORM
755	-423.81	211.15	STORM
756	-424.65	211.99	STORM
757	-425.49	212.83	STORM
758	-426.33	213.67	STORM
759	-427.17	214.51	STORM
760	-428.01	215.35	STORM
761	-428.85	216.19	STORM
762	-429.69	217.03	STORM
763	-430.53	217.87	STORM
764	-431.37	218.71	STORM
765	-432.21	219.55	STORM
766	-433.05	220.39	STORM
767	-433.89	221.23	STORM
768	-434.73	222.07	STORM
769	-435.57	222.91	STORM
770	-436.41	223.75	STORM
771	-437.25	224.59	STORM
772	-438.09	225.43	STORM
773	-438.93	226.27	STORM
774	-439.77	227.11	STORM
775	-440.61	227.95	STORM
776	-441.45	228.79	STORM
777	-442.29	229.63	STORM
778	-443.13	230.47	STORM
779	-443.97	231.31	STORM
780	-444.81	232.15	STORM
781	-445.65	232.99	STORM
782	-446.49	233.83	STORM
783	-447.33	234.67	STORM
784	-448.17	235.51	STORM
785	-449.01	236.35	STORM
786	-449.85	237.19	STORM
787	-450.69	238.03	STORM
788	-451.53	238.87	STORM
789	-452.37	239.71	STORM
790	-453.21	240.55	STORM
791	-454.05	241.39	STORM
792	-454.89	242.23	STORM
793	-455.73	243.07	STORM
794	-456.57	243.91	STORM
795	-457.41	244.75	STORM
796	-458.25	245.59	STORM
797	-459.09	246.43	STORM
798	-459.93	247.27	STORM
799	-460.77	248.11	STORM
800	-461.61	248.95	STORM
801	-462.45	249.79	STORM
802	-463.29	250.63	STORM
803	-464.13	251.47	STORM
804	-464.97	252.31	STORM
805	-465.81	253.15	STORM
806	-466.65	253.99	STORM
807	-467.49	254.83	STORM
808	-468.33	255.67	STORM
809	-469.17	256.51	STORM
810	-470.01	257.35	STORM
811	-470.85	258.19	STORM
812	-471.69	259.03	STORM
813	-472.53	259.87	STORM
814	-473.37	260.71	STORM
815	-474.21	261.55	STORM
816	-475.05	262.39	STORM
817	-475.89	263.23	STORM
818	-476.73	264.07	STORM
819	-477.57	264.91	STORM
820	-478.41	265.75	STORM
821	-479.25	266.59	STORM
822	-480.09	267.43	STORM
823	-480.93	268.27	STORM
824	-481.77	269.11	STORM
825	-482.61	269.95	STORM
826	-483.45	270.79	STORM
827	-484.29	271.63	STORM
828	-485.13	272.47	STORM
829	-485.97	273.31	STORM
830	-486.81	274.15	STORM
831	-487.65	274.99	STORM
832	-488.49	275.83	STORM
833	-489.33	276.67	STORM
834	-490.17	277.51	STORM
835	-491.01	278.35	STORM
836	-491.85	279.19	STORM
837	-492.69	280.03	STORM
838	-493.53	280.87	STORM
839	-494.37	281.71	STORM
840	-495.21	282.55	STORM
841	-496.05	283.39	STORM
842	-496.89	284.23	STORM
843	-497.73	285.07	STORM
844	-498.57	285.91	STORM
845	-499.41	286.75	STORM
846	-500.25	287.59	STORM
847	-501.09	288.43	STORM
848	-501.93	289.27	STORM
849	-502.77	290.11	STORM
850	-503.61	290.95	STORM
851	-504.45	291.79	STORM
852	-505.29	292.63	STORM
853	-506.13	293.47	STORM
854	-506.97	294.31	STORM
855	-507.81	295.15	STORM
856	-508.65	295.99	STORM
857	-509.49	296.83	STORM
858	-510.33	297.67	STORM
859	-511.17	298.51	STORM
860	-512.01	299.35	STORM
861	-512.85	300.19	STORM
862	-513.69	301.03	STORM
863	-514.53	301.87	STORM
864	-515.37	302.71	STORM
865	-516.21	303.55	STORM
866	-517.05	304.39	STORM
867	-517.89	305.23	STORM
868	-518.73	306.07	STORM
869	-519.57	306.91	STORM
870	-520.41	307.75	STORM
871	-521.25	308.59	STORM
872	-522.09	309.43	STORM
873	-522.93	310.27	STORM
874	-523.77	311.11	STORM
875	-524.61	311.95	STORM
876	-525.45	312.79	STORM
877	-526.29	313.63	STORM
878	-527.13	314.47	STORM
879	-527.97	315.31	STORM
880	-528.81	316.15	STORM
881	-529.65	316.99	STORM
882	-530.49	317.83	STORM
883	-531.33	318.67	STORM
884	-532.17	319.51	STORM
885	-533.01	320.35	STORM
886	-533.85	321.19	STORM
887	-534.69	322.03	STORM
888	-535.53	322.87	STORM
889	-536.37	323.71	STORM
890	-537.21	324.55	STORM
891	-538.05	325.39	STORM
892	-538.89	326.23	STORM
893	-539.73	327.07	STORM
894	-540.57	327.91	STORM
895	-541.41	328.75	STORM
896	-542.25	329.59	STORM
897	-543.09	330.43	STORM
898	-543.93	331.27	STORM
899	-544.77	332.11	STORM
900	-545.61	332.95	STORM



NOTE:
 1. EVENLY SPREAD EXCESS SOIL IN STOCKPILE ZONE.

1" SUBGRADE LIME STABILIZED W/42% A/B 5/10
 COMPACT TO 95% OF STANDARD PROCTOR
 MAXIMUM DENSITY IN ACCORDANCE WITH ASTM
 D1557 AT A MOISTURE CONTENT WITHIN 3
 PERCENT ABOVE THE OPTIMUM MOISTURE
 CONTENT

NOTE: SIDE SLOPES
 SHALL BE AS NOTED
 OTHERWISE NOTED.

DETAIL
 NOT TO SCALE

DATE: MARCH 2009
 105 SHEET 11 OF 238
 CAD REF. NO. 5293009-030

**SITE GRADING
 SHEET 1 OF 2**

**FORT BEND COUNTY
 W.C. & I.D. No. 2
 SURFACE WATER TREATMENT PLANT**

MATCH LINE ~ SHEET 106

REVISIONS

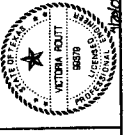
NO.	DATE	BY	DESCRIPTION
1	3/2/09	JFM	ISSUED FOR PERMITS

DES: MBB/VEE
 DWG: JFM
 MBB

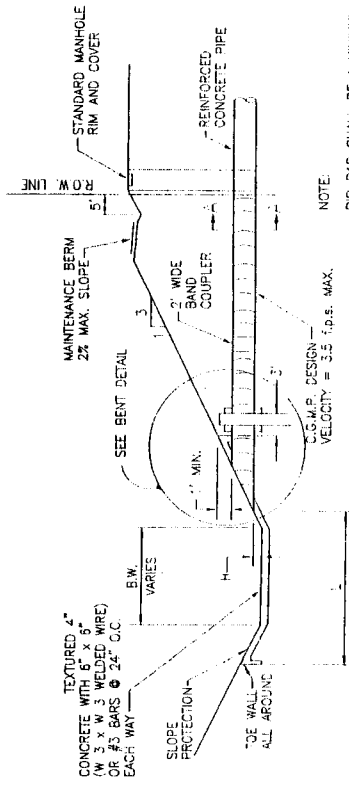
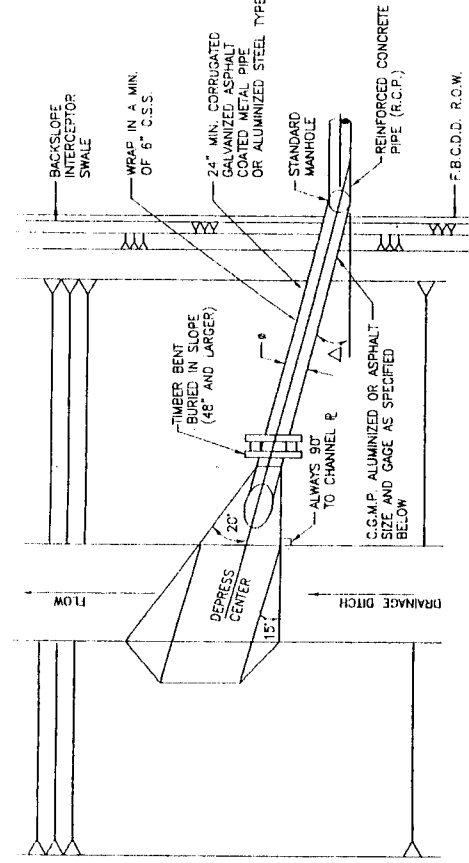
FIRM REGISTRATION No. 439

J. E. B. & C. P. T. E. R. S.
 ENGINEERS, PLANNERS, ARCHITECTS
 6333 Gulfport Dr., Suite 100
 Houston, Texas 77061
 (713) 777-5537

VICTORIA COUNTY
 SURFACE WATER TREATMENT PLANT



DATE: MARCH 2009
 105 SHEET 11 OF 238
 CAD REF. NO. 5293009-030



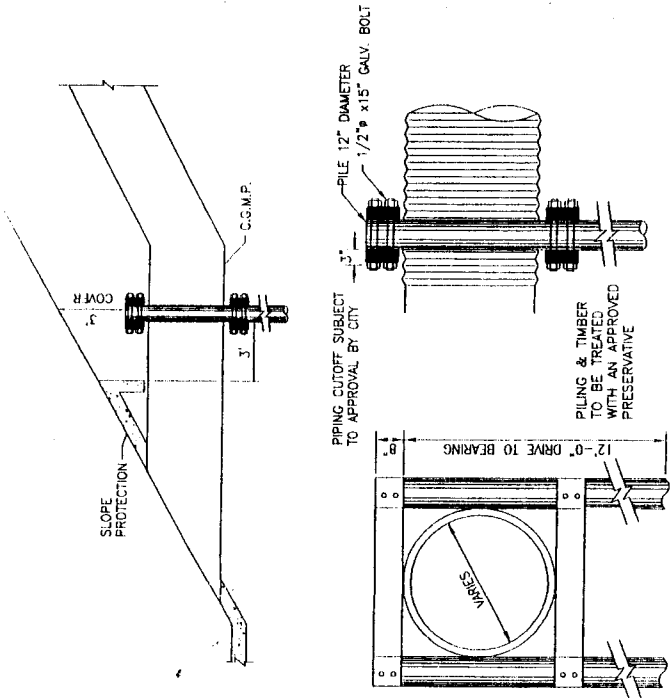
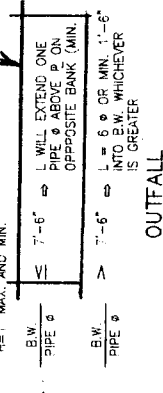
$$\Delta: \text{PROP. } 24" \text{ TO } 42" \quad \Delta = 15" \quad \Delta = 30"$$

$$\text{PROP. } 48" \text{ AND LARGER} \quad \Delta = 30"$$

$$H: \text{ FOR PIPE SIZES } 24" \text{ TO } 42" \quad H = 3' \text{ MAX. AND } 1' \text{ MIN.}$$

$$\text{FOR PIPE SIZES } 48" \text{ AND LARGER} \quad H = 1' \text{ MAX. AND MIN.}$$

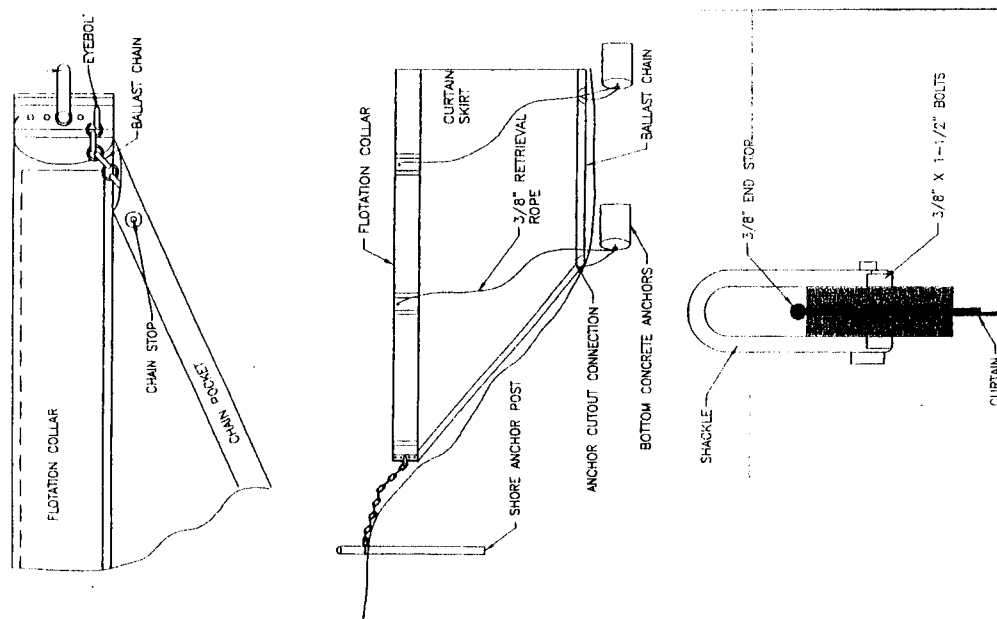
$$L = \frac{33'}{5'} = 7$$



- GENERAL NOTE:
- INSTALL OUTFALLS 48 INCHES OR LARGER DIAMETER AND TREATMENT PLANT OUTFALLS 24 INCH DIAMETER WITH RIPRAP EROSION PROTECTIVE STRUCTURE LAOUT.
 - STORM SEWER AND INTERCEPTOR OUTFALL PIPES WITHIN THE FLOOD FLOWLINE SHALL BE CORRUGATED METAL PIPE (CMP) IN ACCORDANCE WITH SPECIFICATION SECTION NO. 02842-CORRUGATED METAL PIPE.
 - BRIDGE AND PLATE GUYOT STABILIZED SANDS IN ACCORDANCE WITH SPECIFICATION SECTION NO. 02221-GUYOT STABILIZED SANDS.
 - TIMBER BENTS SHALL BE IN ACCORDANCE WITH SPECIFICATION SECTION NO. 02404-TIMBER BENTS.
 - EXCAVATION, FILL AND BACKFILL FOR INTERCEPTOR STRUCTURES SHALL BE IN ACCORDANCE WITH SPECIFICATION SECTION NO. 02318-STRUCTURAL EXCAVATING AND BACKFILLING.
 - RIPRAP SHALL BE IN ACCORDANCE WITH SPECIFICATION SECTION NO. 02576-RIPRAP AND GRANULAR FILL.
 - CONCRETE SHALL BE STRUCTURAL CONCRETE IN ACCORDANCE WITH SPECIFICATION SECTION NO. 03110-CONCRETE.
 - INTERCEPTOR STRUCTURES:
 - ADJUST DEPTH AND WIDTH IN FIELD AS NECESSARY.
 - STEEL REINFORCING # 4 BARS (GRADE 40) AT 12 INCHES ON CENTER EACH WAY.
 - OUTFALLS LARGER THAN MAXIMUM SIZE INDICATED REQUIRES A SEPARATE DETAIL.
 - SEE FLOWLINE OF OUTFALL PIPES 1 FOOT ABOVE CHANNEL FLOWLINE OR 1 FOOT ABOVE NORMAL WATER SURFACE ELEVATION.
 - SEE CONCRETE CHANNEL LINING DETAIL SHEET FOR CMP OUTFALL DETAILS THROUGH CONCRETE CHANNEL LINING.
 - CONCRETE PAD AROUND TYPE "B" INLET PAD FOR AS CONCRETE INTERCEPTOR STRUCTURE PER UNIT PRICE SCHEDULE.

TABLE A

SIZE CORROGATION	PIPE GAUGE	1/2" GAUGE	BAND COUPLER GAUGE	3"X1' CORRUGATION	5"X1' GAUGE	PIPE GAUGE	BAND COUPLER GAUGE
24"	16	16	16				
30"	16	16	16				
36"	16	16	16				
42"	14	14	16				
48"	14	14	16	48"	16	18	18
54"	12	14	16	54"	16	18	18
60"	12	14	16	60"	16	18	18
66"	10	12	16	66"	16	18	18
72"	10	12	16	72"	16	18	18
78"	8	10	16	78"	14	16	16
84"	8	10	16	84"	14	16	16



THIS DETAIL SHEET HAS BEEN PREPARED FOR USE ON FLOOD PROTECTIVE PROJECTS TO BE MAINTAINED BY THE FLOOD WHEN COMPLETED BY OTHERS. THE ENGINEER SHOULD CAREFULLY REVIEW THESE DETAILS TO DETERMINE THEIR APPLICABILITY TO PARTICULAR PROJECTS. IF REVISIONS ARE NECESSARY, THEY SHOULD BE MADE IN THE REVISION BLOCK IN ACCORDANCE WITH RULE 131.12(A) OF THE TEXAS STATE BOARD OF REGISTRATION FOR PROFESSIONAL ENGINEERS. AN ENGINEER WHO INCORPORATES THE DETAILS ON THIS SHEET INTO HIS WORK SHALL BE RESPONSIBLE FOR ITS USE IN THE END PRODUCT IN ACCORDANCE WITH RULE 131.12(B)(1).