

**PLAT RECORDING SHEET**

**PLAT NAME:** Holly Ridge Section 8

**PLAT NO:** \_\_\_\_\_

**ACREAGE:** 21.12

**LEAGUE:** S.A. & M.G. R.R. CO. Survey Section No. 13 and Lester E. Cross Survey  
Section No. 24

**ABSTRACT NUMBER:** 328 & 407

**NUMBER OF BLOCKS:** 1

**NUMBER OF LOTS:** 41

**NUMBER OF RESERVES:** 4

**OWNERS:** Holly Ridge Development Company LLC,

\_\_\_\_\_  
**(DEPUTY CLERK)**

STATE OF TEXAS  
COUNTY OF FORT BEND

WE, HOLLY RIDGE DEVELOPMENT COMPANY LLC, A TEXAS LIMITED LIABILITY COMPANY, ACTING BY AND THROUGH DANIEL K. SIGNORELLI, ITS MANAGER OWNER (OR OWNERS) OF THE 21.12 ACRE TRACT DESCRIBED IN THE ABOVE AND FOREGOING MAP OF HOLLY RIDGE SECTION 8, DO HEREBY MAKE AND ESTABLISH SAID SUBDIVISION AND DEVELOPMENT PLAT OF SAID PROPERTY ACCORDING TO ALL LINES, DEDICATIONS, RESTRICTIONS AND NOTATIONS ON SAID MAPS OR PLAT AND HEREBY DEDICATE TO THE USE OF THE PUBLIC FOREVER, ALL STREETS (EXCEPT THOSE STREETS DESIGNATED AS PRIVATE STREETS), ALLEYS, PARKS, WATER COURSES, DRAINS, EASEMENTS AND PUBLIC PLACES SHOWN THEREON FOR THE PURPOSES AND CONSIDERATIONS THEREIN EXPRESSED; AND DO HEREBY BIND MYSELF (OR OURSELVES), MY (OR OUR) HEIRS AND ASSIGNS TO WARRANT AND FOREVER DEFEND THE TITLE TO THE LAND SO DEDICATED.

FURTHER, OWNERS HAVE DEDICATED AND BY THESE PRESENTS DO DEDICATE TO THE USE OF THE PUBLIC FOR PUBLIC UTILITY PURPOSES FOREVER UNOBSTRUCTED AERIAL EASEMENTS. THE AERIAL EASEMENTS SHALL EXTEND HORIZONTALLY AN ADDITIONAL ELEVEN FEET, SIX INCHES (11'6") FOR TEN FEET (10'0") PERIMETER GROUND EASEMENTS OR SEVEN FEET, SIX INCHES (7'6") FOR FOURTEEN FEET (14'0") PERIMETER GROUND EASEMENTS OR FIVE FEET, SIX INCHES (5'6") FOR SIXTEEN FEET (16'0") PERIMETER GROUND EASEMENTS, FROM A PLANE SIXTEEN FEET (16'0") ABOVE GROUND LEVEL UPWARD, LOCATED ADJACENT TO AND ADJOINING SAID PUBLIC UTILITY EASEMENTS THAT ARE DESIGNATED WITH AERIAL EASEMENTS (U.E. AND A.E.) AS INDICATED AND DEPICTED HEREON, WHEREBY THE AERIAL EASEMENT TOTALS TWENTY-ONE FEET, SIX INCHES (21'6") IN WIDTH.

FURTHER, OWNERS HAVE DEDICATED AND BY THESE PRESENTS DO DEDICATE TO THE USE OF THE PUBLIC FOR PUBLIC UTILITY PURPOSES FOREVER UNOBSTRUCTED AERIAL EASEMENTS. THE AERIAL EASEMENTS SHALL EXTEND HORIZONTALLY AN ADDITIONAL TEN FEET (10'0") FOR TEN FEET (10'0") BACK-TO-BACK GROUND EASEMENTS, OR EIGHT FEET (8'0") FOR FOURTEEN FEET (14'0") BACK-TO-BACK GROUND EASEMENTS OR SEVEN FEET (7'0") FOR SIXTEEN FEET (16'0") BACK-TO-BACK GROUND EASEMENTS, FROM A PLANE SIXTEEN FEET (16'0") ABOVE GROUND LEVEL UPWARD, LOCATED ADJACENT TO BOTH SIDES AND ADJOINING ALL PUBLIC UTILITY EASEMENTS THAT ARE DESIGNATED WITH AERIAL EASEMENTS (U.E. AND A.E.) AS INDICATED AND DEPICTED HEREON, WHEREBY THE AERIAL EASEMENT TOTALS THIRTY FEET (30'0") IN WIDTH.

FURTHER, OWNERS DO HEREBY DECLARE THAT ALL PARCELS OF LAND DESIGNATED AS LOTS ON THIS PLAT ARE INTENDED FOR THE CONSTRUCTION OF SINGLE FAMILY RESIDENTIAL DWELLING UNITS THEREON (OR THE PLACEMENT OF MOBILE HOMES) AND SHALL BE RESTRICTED FOR SAME UNDER THE TERMS AND CONDITIONS OF SUCH RESTRICTIONS FILED SEPARATELY.

FURTHER, OWNERS DO HEREBY COVENANT AND AGREE THAT ALL OF THE PROPERTY WITHIN THE BOUNDARIES OF THIS PLAT SHALL BE RESTRICTED TO PREVENT THE DRAINAGE OF ANY SEPTIC TANKS INTO ANY PUBLIC OR PRIVATE STREET, ROAD OR ALLEY OR ANY DRAINAGE DITCH, EITHER DIRECTLY OR INDIRECTLY.

FURTHER, OWNERS DO HEREBY DEDICATE TO THE PUBLIC A STRIP OF LAND TWENTY (20) FEET WIDE ON EACH SIDE OF THE CENTER LINE OF ANY AND ALL BAYOUS, CREEKS, GULLIES, RAVINES, DRAWS AND DRAINAGE DITCHES LOCATED IN SAID SUBDIVISION, AS EASEMENTS FOR DRAINAGE PURPOSES, FORT BEND COUNTY OR ANY OTHER GOVERNMENTAL AGENCY SHALL HAVE THE RIGHT TO ENTER UPON SAID EASEMENT AT ANY AND ALL TIMES FOR THE PURPOSES OF CONSTRUCTION AND MAINTENANCE OF DRAINAGE FACILITIES AND STRUCTURES.

FURTHER, OWNERS DO HEREBY COVENANT AND AGREE THAT ALL OF THE PROPERTY WITHIN THE BOUNDARIES OF THIS SUBDIVISION AND ADJACENT TO ANY DRAINAGE EASEMENT, DITCH, GULLY, CREEK OR NATURAL DRAINAGE WAY SHALL HEREBY BE RESTRICTED TO KEEP SUCH DRAINAGE WAYS AND EASEMENTS CLEAR OF FENCES, BUILDINGS, EXCESSIVE VEGETATION AND OTHER OBSTRUCTIONS TO THE OPERATIONS AND MAINTENANCE OF THE DRAINAGE FACILITY AND THAT SUCH ABUTTING PROPERTY SHALL NOT BE PERMITTED TO DRAIN DIRECTLY INTO THIS EASEMENT EXCEPT BY MEANS OF AN APPROVED DRAINAGE STRUCTURE.

FURTHER, WE DO HEREBY CERTIFY THAT WE ARE THE OWNERS OF ALL PROPERTY IMMEDIATELY ADJACENT TO THE BOUNDARIES OF THE ABOVE AND FOREGOING SUBDIVISION OF HOLLY RIDGE SECTION 8 WHERE BUILDING SETBACK LINES OR PUBLIC UTILITY EASEMENTS ARE TO BE ESTABLISHED OUTSIDE THE BOUNDARIES OF THE ABOVE AND FOREGOING SUBDIVISION AND DO HEREBY MAKE AND ESTABLISH ALL BUILDING SETBACK LINES AND DEDICATE TO THE USE OF THE PUBLIC, ALL PUBLIC UTILITY EASEMENTS SHOWN IN SAID ADJACENT ACREAGE.

FURTHER, OWNERS DO HEREBY ACKNOWLEDGE THE RECEIPT OF THE "ORDERS FOR REGULATION OF OUTDOOR LIGHTING IN THE UNINCORPORATED AREAS OF FORT BEND COUNTY, TEXAS", AND DO HEREBY COVENANT AND AGREE AND SHALL COMPLY WITH THIS ORDER AS ADOPTED BY FORT BEND COUNTY COMMISSIONERS COURT ON MARCH 23, 2004, AND ANY SUBSEQUENT AMENDMENTS.

IN TESTIMONY WHEREOF, HOLLY RIDGE DEVELOPMENT COMPANY LLC, A TEXAS LIMITED LIABILITY COMPANY, HAS CAUSED THESE PRESENTS TO BE SIGNED BY DANIEL K. SIGNORELLI, ITS MANAGER, HEREUNTO AUTHORIZED, AND ITS COMMON SEAL HEREUNTO AFFIXED THIS \_\_\_\_\_ DAY OF \_\_\_\_\_, 2026.

HOLLY RIDGE DEVELOPMENT COMPANY LLC,  
A TEXAS LIMITED LIABILITY COMPANY

\_\_\_\_\_  
DANIEL K. SIGNORELLI  
MANAGER

STATE OF TEXAS  
COUNTY OF \_\_\_\_\_

BEFORE ME, THE UNDERSIGNED AUTHORITY, ON THIS DAY PERSONALLY APPEARED DANIEL K. SIGNORELLI, MANAGER, OF HOLLY RIDGE DEVELOPMENT COMPANY LLC, A TEXAS LIMITED LIABILITY COMPANY KNOWN TO ME TO BE THE PERSONS WHOSE NAMES ARE SUBSCRIBED TO THE FOREGOING INSTRUMENT AND ACKNOWLEDGE TO ME THAT THEY EXECUTED THE SAME FOR THE PURPOSES AND CONSIDERATIONS THEREIN EXPRESSED AND IN THE CAPACITY THEREIN AND HEREIN SET OUT, AND AS THE ACT AND DEED OF SAID CORPORATION.

GIVEN UNDER MY HAND AND SEAL OF OFFICE, THIS \_\_\_\_\_ DAY OF \_\_\_\_\_, 2026.

PRINT NAME: \_\_\_\_\_  
NOTARY PUBLIC IN AND FOR \_\_\_\_\_

I, JONATHAN FRANZ, AM AUTHORIZED (OR REGISTERED) UNDER THE LAWS OF THE STATE OF TEXAS TO PRACTICE THE PROFESSION OF SURVEYING AND HEREBY CERTIFY THAT THE ABOVE SUBDIVISION IS TRUE AND ACCURATE; WAS PREPARED FROM AN ACTUAL SURVEY OF THE PROPERTY MADE UNDER MY SUPERVISION ON THE GROUND; THAT, EXCEPT AS SHOWN ALL BOUNDARY CORNERS, ANGLE POINTS, POINTS OF CURVATURE AND OTHER POINTS OF REFERENCE HAVE BEEN MARKED WITH IRON (OR OTHER OBJECTS OF A PERMANENT NATURE) PIPES OR RODS HAVING A DIAMETER OF NOT LESS THAN FIVE EIGHTHS (5/8) INCH AND A LENGTH OF NOT LESS THAN THREE (3) FEET; AND THAT THE PLAT BOUNDARY CORNERS HAVE BEEN TIED TO THE TEXAS COORDINATE SYSTEM OF 1983, SOUTH CENTRAL ZONE.

\_\_\_\_\_  
JONATHAN FRANZ  
REGISTERED PROFESSIONAL LAND SURVEYOR  
TEXAS REGISTRATION NO. 6705

I, BRYAN SHEPPARD, A PROFESSIONAL ENGINEER REGISTERED IN THE STATE OF TEXAS DO HEREBY CERTIFY THAT THIS PLAT MEETS ALL REQUIREMENTS OF FORT BEND COUNTY TO THE BEST OF MY KNOWLEDGE.

\_\_\_\_\_  
BRYAN SHEPPARD  
REGISTERED PROFESSIONAL ENGINEER  
TEXAS REGISTRATION NO. 131244

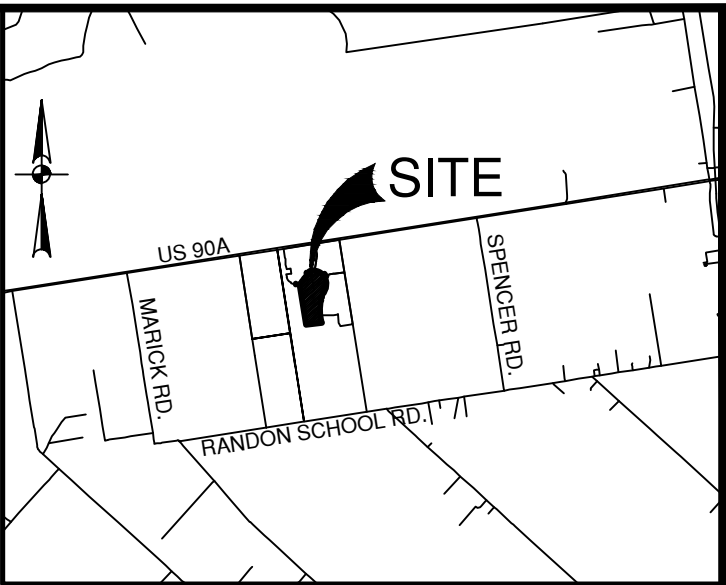
I, LAURA RICHARD, COUNTY CLERK IN AND FOR FORT BEND COUNTY, HEREBY CERTIFY THAT THE FOREGOING INSTRUMENT WITH ITS CERTIFICATE OF AUTHENTICATION WAS FILED FOR RECORDATION IN

MY OFFICE ON \_\_\_\_\_, AT \_\_\_\_\_ O'CLOCK \_\_\_\_M., AND IN  
PLAT NUMBER \_\_\_\_\_ OF THE PLAT RECORDS OF FORT BEND COUNTY, TEXAS.

WITNESS MY HAND AND SEAL OF OFFICE, AT RICHMOND, TEXAS, THE DAY AND DATE LAST ABOVE WRITTEN.

\_\_\_\_\_  
LAURA RICHARD COUNTY CLERK  
FORT BEND COUNTY, TEXAS

By: \_\_\_\_\_  
DEPUTY



**LOCATION MAP**  
NOT-TO-SCALE  
MAP REF: KEY MAP 602P

I, J. STACY SLAWNSKI, FORT BEND COUNTY ENGINEER, DO HEREBY CERTIFY THAT THE PLAT OF THIS SUBDIVISION COMPLIES WITH ALL OF THE EXISTING RULES AND REGULATIONS OF THE OFFICE AS ADOPTED BY THE FORT BEND COUNTY COMMISSIONERS' COURT. HOWEVER, NO CERTIFICATION IS HEREBY GIVEN AS TO THE EFFECT OF DRAINAGE FROM THIS SUBDIVISION ON THE INTERCEPTING DRAINAGE ARTERY OR PARENT STREAM OR ON ANY OTHER AREA OR SUBDIVISION WITHIN THE WATERSHED.

\_\_\_\_\_  
J. STACY SLAWNSKI, P.E.  
FORT BEND COUNTY ENGINEER

APPROVED BY THE COMMISSIONERS' COURT OF FORT BEND COUNTY, TEXAS, THIS \_\_\_\_\_ DAY OF \_\_\_\_\_, 2026.

\_\_\_\_\_  
VINCENT M. MORALES, JR.  
PRECINCT 1, COUNTY COMMISSIONER

\_\_\_\_\_  
GRADY PRESTAGE  
PRECINCT 2, COUNTY COMMISSIONER

\_\_\_\_\_  
K.P. GEORGE  
COUNTY JUDGE

\_\_\_\_\_  
W. A. (ANDY) MEYERS  
PRECINCT 3, COUNTY COMMISSIONER

\_\_\_\_\_  
DEXTER L. MCCOY  
PRECINCT 4, COUNTY COMMISSIONER

# HOLLY RIDGE SECTION 8

A SUBDIVISION OF 21.12 ACRES SITUATED IN THE S.A. & M.G. R.R. CO. SURVEY SECTION NO. 13, ABSTRACT NO. 328 AND IN THE LESTER E. CROSS SURVEY, SECTION NO. 24, ABSTRACT NO. 407, FORT BEND COUNTY, TEXAS BEING A PARTIAL REPLAT OF LOTS 4 & 5 OF SLAVIN & GEORGE SUBDIVISION RECORDED IN VOLUME 64, PAGE 252, VOLUME 64, PAGE 363, AND VOLUME 64, PAGE 293 OF THE FORT BEND COUNTY DEED RECORDS.

JANUARY, 2026

41 RESIDENTIAL LOTS    4 RESERVES    1 BLOCK

REASON FOR REPLAT: TO CREATE SINGLE FAMILY RESIDENTIAL LOTS

OWNER/DEVELOPER:  
HOLLY RIDGE DEVELOPMENT COMPANY LLC,  
A TEXAS LIMITED LIABILITY COMPANY  
1401 WOODLANDS PKWY.  
THE WOODLANDS, TEXAS 77380  
TEL. 713.452.1700

**PAPE-DAWSON**  
2107 CITYWEST BLVD, 3RD FLR | HOUSTON, TX 77042 | 713.428.2400  
TEXAS ENGINEERING FIRM #470 | TEXAS SURVEYING FIRM #10028800

**LEGEND**

- FOUND 5/8" IRON ROD (PD)  
(UNLESS NOTED OTHERWISE)
- SET 5/8" IRON ROD (PD)
- STREET NAME CHANGE
- ① = BLOCK NUMBER
- Ⓐ = RESERVE SYMBOL

**ABBREVIATION LEGEND**

ESMT	EASEMENT
VOL PG.	VOLUME PAGE
POB	POINT OF BEGINNING
R	RADIUS
ROW	RIGHT OF WAY
FBCDR	FORT BEND COUNTY DEED RECORDS
FBCPR	FORT BEND COUNTY PLAT RECORDS
OPRBC	OFFICIAL PUBLIC RECORDS FORT BEND COUNTY
N:	NORTHING COORDINATES
E:	EASTING COORDINATES
UE	UTILITY EASEMENT
CF NO	CLERK'S FILE NUMBER
BL	BUILDING LINE
WLE	WATER LINE EASEMENT
SSE	SANITARY SEWER EASEMENT
STMSE	STORM SEWER EASEMENT
NTS	NOT TO SCALE
DE	DRAINAGE EASEMENT
PD	PAPE-DAWSON

**CURVE TABLE**

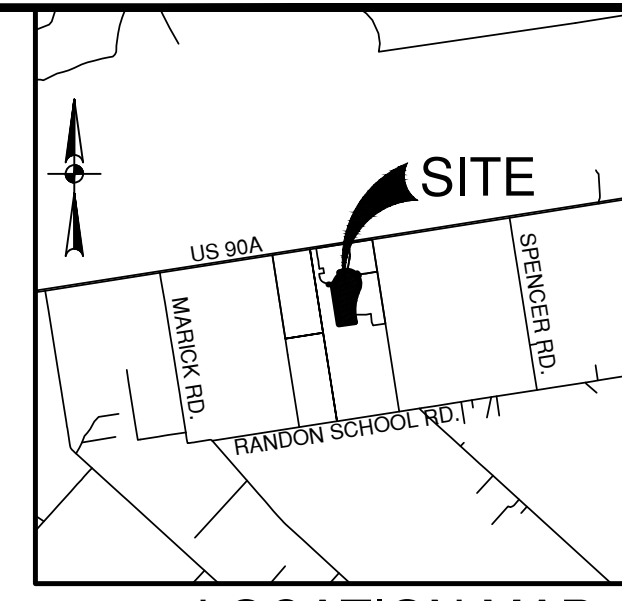
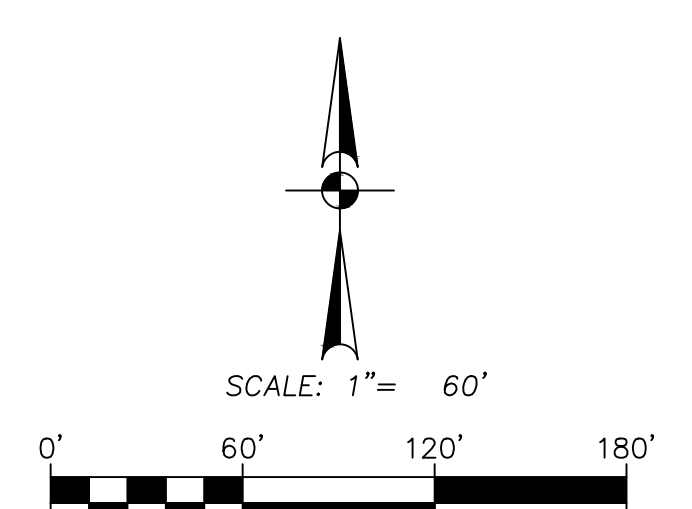
CURVE #	RADIUS	DELTA	CHORD BEARING	CHORD	LENGTH
C1	385.00'	128°24'09"	N42°56'26"W	693.25'	862.80'
C2	1430.00'	5°28'41"	S18°31'18"W	136.67'	136.72'
C3	25.00'	85°24'34"	S58°29'14"W	33.91'	37.27'
C4	1225.00'	0°23'39"	N79°00'18"W	8.43'	8.43'
C5	1175.00'	0°09'58"	S79°07'08"E	3.41'	3.41'
C6	25.00'	90°52'31"	S33°35'53"E	35.62'	39.65'
C7	1430.00'	26°41'38"	S1°30'27"E	660.22'	666.23'
C8	152.99'	48°15'42"	N43°18'28"E	125.09'	126.87'
C9	332.69'	25°47'54"	N32°04'33"E	148.54'	149.80'
C10	153.93'	59°50'08"	N15°00'56"E	153.74'	160.98'
C11	400.00'	24°27'05"	S88°37'06"W	169.41'	170.70'
C12	50.00'	73°45'12"	S39°30'57"W	60.01'	64.36'
C13	1800.00'	11°40'35"	N82°28'39"E	366.19'	366.83'
C14	1200.00'	7°39'56"	N83°02'06"W	160.43'	160.55'
C15	25.00'	90°15'08"	S50°26'12"W	35.43'	39.38'
C16	25.00'	47°19'05"	S11°55'55"E	20.06'	20.65'
C17	50.00'	276°22'01"	N76°34'27"W	66.67'	241.18'
C18	25.00'	49°05'54"	N37°03'37"E	20.77'	21.42'
C19	25.00'	24°37'05"	N9°50'11"W	10.80'	10.89'
C20	50.00'	122°17'43"	N38°50'08"E	87.59'	106.72'
C21	25.00'	22°51'15"	N88°33'23"E	9.91'	9.97'
C22	25.00'	33°54'05"	N77°44'09"E	14.58'	14.79'
C23	50.00'	273°02'08"	S17°18'11"W	68.81'	238.27'
C24	25.00'	62°49'40"	N5°35'35"W	26.06'	27.41'
C25	25.00'	73°45'12"	S39°30'57"E	30.00'	32.18'
C26	25.00'	87°13'06"	S40°58'12"E	34.49'	38.06'

**LINE TABLE**

LINE #	BEARING	LENGTH
L1	S10°47'53"W	50.00'
L2	S10°50'38"W	10.00'
L3	S51°24'47"E	10.47'
L4	S50°33'00"W	14.72'
L5	S50°33'04"W	14.13'
L6	S10°03'36"E	20.00'
L7	S54°00'40"W	20.00'
L8	S38°47'41"E	13.37'
L9	N43°11'09"W	14.34'
L10	N51°17'26"E	14.48'
L11	S36°43'30"E	16.64'

**RESERVE TABLE**

RESERVE	ACREAGE	PURPOSE	PROPOSED OWNER	MAINTENANCE
Ⓐ	12.83	LANDSCAPE/ OPEN SPACE/ DRAINAGE / DETENTION	FBMUD 265	FBMUD 265
Ⓑ	0.555	LANDSCAPE/ OPEN SPACE	HOA	HOA
Ⓒ	0.239	LANDSCAPE/ OPEN SPACE	HOA	HOA
Ⓓ	0.423	LANDSCAPE/ OPEN SPACE	HOA	HOA



- NOTES:**
- ALL BEARINGS ARE BASED ON THE TEXAS COORDINATE SYSTEM, SOUTH CENTRAL ZONE (4204).
  - THE COORDINATES SHOWN HEREON ARE TEXAS SOUTH CENTRAL ZONE NO. 4204 STATE PLANE GRID COORDINATES (NAD83) AND MAY BE BROUGHT TO CONFORM BY DIVIDING THE COMBINED SCALE FACTOR OF 0.999868660.
  - WITH RESPECT TO RECORDED INSTRUMENTS WITHIN THIS PLAT, SURVEYOR RELIED ON CITY PLANNING LETTER ISSUED BY TEXAS AMERICAN TITLE COMPANY, OF NO. 2791025-03107, DATED JANUARY 12, 2026.
  - ELEVATIONS USED FOR DELINEATING CONTOUR LINES ARE BASED ON NGS BENCHMARK AW5544, PUBLISHED ELEVATION: 105.9' (NAVD 88)
  - DIMENSIONS SHOWN ARE SURFACE.
  - THE DRAINAGE SYSTEM FOR THIS SUBDIVISION SHALL BE DESIGNED TO MEET THE REQUIREMENTS OF THE FORT BEND COUNTY DRAINAGE CRITERIA MANUAL WHICH ALLOWS STREET PONDING DURING INTENSE RAINFALL EVENTS.
  - THE TOP OF ALL FLOOR SLABS SHALL BE A MINIMUM OF 115.13 FEET ABOVE MEAN SEA LEVEL (NAVD 88 DATUM). IN ADDITION, NO TOP OF SLAB ELEVATION SHALL BE LESS THAN 24 INCHES ABOVE THE LOWEST TOP OF CURB ADJACENT TO THE LOT IN WHICH IT LIES. IN THE ABSENCE OF A CURB, THE TOP OF SLAB ELEVATION SHALL BE NOT LESS THAN 24 INCHES ABOVE THE HIGHEST NATURAL GRADE ALONG THE PERIMETER OF THE BUILDING FOUNDATION AND 12 INCHES ABOVE ANY DOWN GRADIENT ROADWAY OR DRAINAGE RESTRAIN, WHICHEVER IS HIGHER.
  - ALL DRAINAGE EASEMENTS TO BE KEPT CLEAR OF FENCES, BUILDINGS, VEGETATION AND OTHER OBSTRUCTIONS TO THE OPERATION AND MAINTENANCE OF THE DRAINAGE FACILITY.
  - ALL PROPERTY TO DRAIN INTO THE DRAINAGE EASEMENT ONLY THROUGH APPROVED DRAINAGE STRUCTURE.
  - THE SUBJECT PROPERTY IS WITHIN THE FOLLOWING FLOOD ZONE(S) AS DEPICTED ON THE FEDERAL EMERGENCY MANAGEMENT AGENCY (F.E.M.A.) FLOOD INSURANCE RATE MAP NUMBER 48157C0225L, DATED APRIL 2, 2014 UNSHADED ZONE "X" FOR FORT BEND COUNTY, TEXAS AND INCORPORATED AREAS:
  - THIS TRACT OF LAND IS LOCATED IN LIGHTING ZONE L3.
  - THERE ARE NO KNOWN PIPELINES OR PIPELINE EASEMENTS WITHIN THE PLATTED AREA SHOWN HEREON.
  - SIDEWALKS SHALL BE BUILT OR CAUSED TO BE BUILT NOT LESS THAN 5 FEET IN WIDTH ON BOTH SIDES OF ALL DEDICATED RIGHTS-OF-WAY WITHIN SAID PLAT AND ON THE CONTIGUOUS RIGHT-OF-WAY OF ALL PERIMETER ROADS SURROUNDING SAID PLAT, IN ACCORDANCE WITH A.D.A.
  - A MINIMUM DISTANCE OF 10' SHALL BE MAINTAINED BETWEEN RESIDENTIAL DWELLINGS.
  - FUTURE DEVELOPMENT OF EACH RESERVE MAY REQUIRE ONSITE DRAINAGE AND DETENTION FACILITIES WITHIN A DEDICATED EASEMENT TO BE MAINTAINED BY THE OWNER.
  - THE MINIMUM SLAB ELEVATION LISTED ABOVE DOES NOT ACCOUNT FOR ONSITE DETENTION AND PONDING ELEVATIONS, WHICH MUST BE CHECKED AT THE TIME OF SITE PLAN DEVELOPMENT.
  - SITE PLANS SHALL BE SUBMITTED TO FORT BEND COUNTY AND ANY OTHER APPLICABLE JURISDICTION FOR REVIEW AND APPROVAL TO OBTAIN A DEVELOPMENT PERMIT. DEVELOPMENT PERMITS AND ALL OTHER APPLICABLE PERMITS SHALL BE OBTAINED FROM FORT BEND COUNTY PRIOR TO BEGINNING CONSTRUCTION.
  - THIS PROPERTY LIES WITHIN FORT BEND COUNTY GENERAL FUND, FORT BEND COUNTY DRAINAGE, BEASLEY FIRE, FB ESD 8, FORT BEND COUNTY MUD NO. 265, AND LAMAR CISD.
  - RESERVE "C" IS TO BE OWNED AND MAINTAINED BY THE HOA. THE DRAINAGE EASEMENT WITHIN RESERVE "C" IS TO BE MAINTAINED BY FORT BEND COUNTY MUD NO. 265.

**EXISTING EASEMENTS**

- ◇ WLE FBCCF NO. 2025117892
- ◇ STMSE FBCCF NO. 2025117893
- ◇ 15' STMSE FBCCF NO. 2025117893
- ◇ 20' SSE FBCCF NO. 2025117889
- ◇ 20' STMSE FBCCF NO. 2025077385
- ◇ DETENTION EASEMENT FBCCF NO. 2025117888

**HOLLY RIDGE SECTION 8**

A SUBDIVISION OF 21.12 ACRES SITUATED IN THE S.A. & M.G. R.R. CO. SURVEY SECTION NO. 13, ABSTRACT NO. 328 AND IN THE LESTER E. CROSS SURVEY, SECTION NO. 24, ABSTRACT NO. 407, FORT BEND COUNTY, TEXAS, BEING A PARTIAL REPLAT OF LOTS 4 & 5 OF SLAVIN & GEORGE SUBDIVISION RECORDED IN VOLUME 64, PAGE 252, VOLUME 64, PAGE 363, AND VOLUME 64, PAGE 293 OF THE FORT BEND COUNTY DEED RECORDS.

JANUARY, 2026 SCALE: 1"=60'  
41 RESIDENTIAL LOTS 4 RESERVES 1 BLOCK  
REASON FOR REPLAT: TO CREATE SINGLE FAMILY RESIDENTIAL LOTS

**OWNER/DEVELOPER:**  
HOLLY RIDGE DEVELOPMENT COMPANY, L.L.C.  
A TEXAS LIMITED LIABILITY COMPANY  
1401 WOODLANDS PARKWAY  
THE WOODLANDS, TEXAS 77380  
TEL. 713.452.1700

**PAPE-DAWSON**  
2107 CITYWEST BLVD, 3RD FLR | HOUSTON, TX 77042 | 713.428.2400  
TEXAS ENGINEERING FIRM #470 | TEXAS SURVEYING FIRM #10028800

**LEGEND**

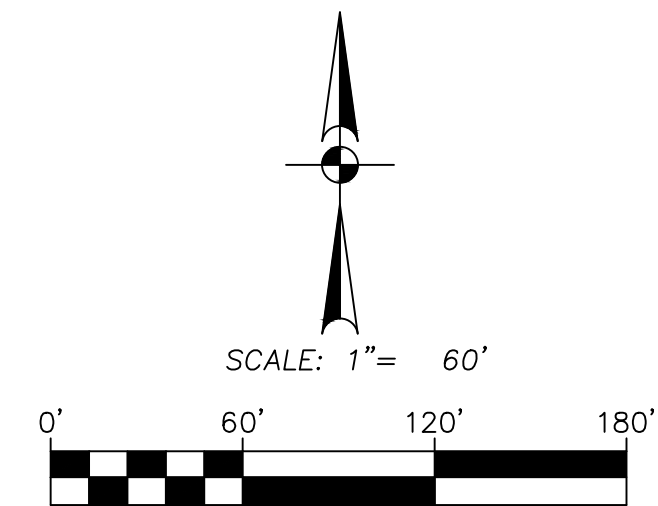
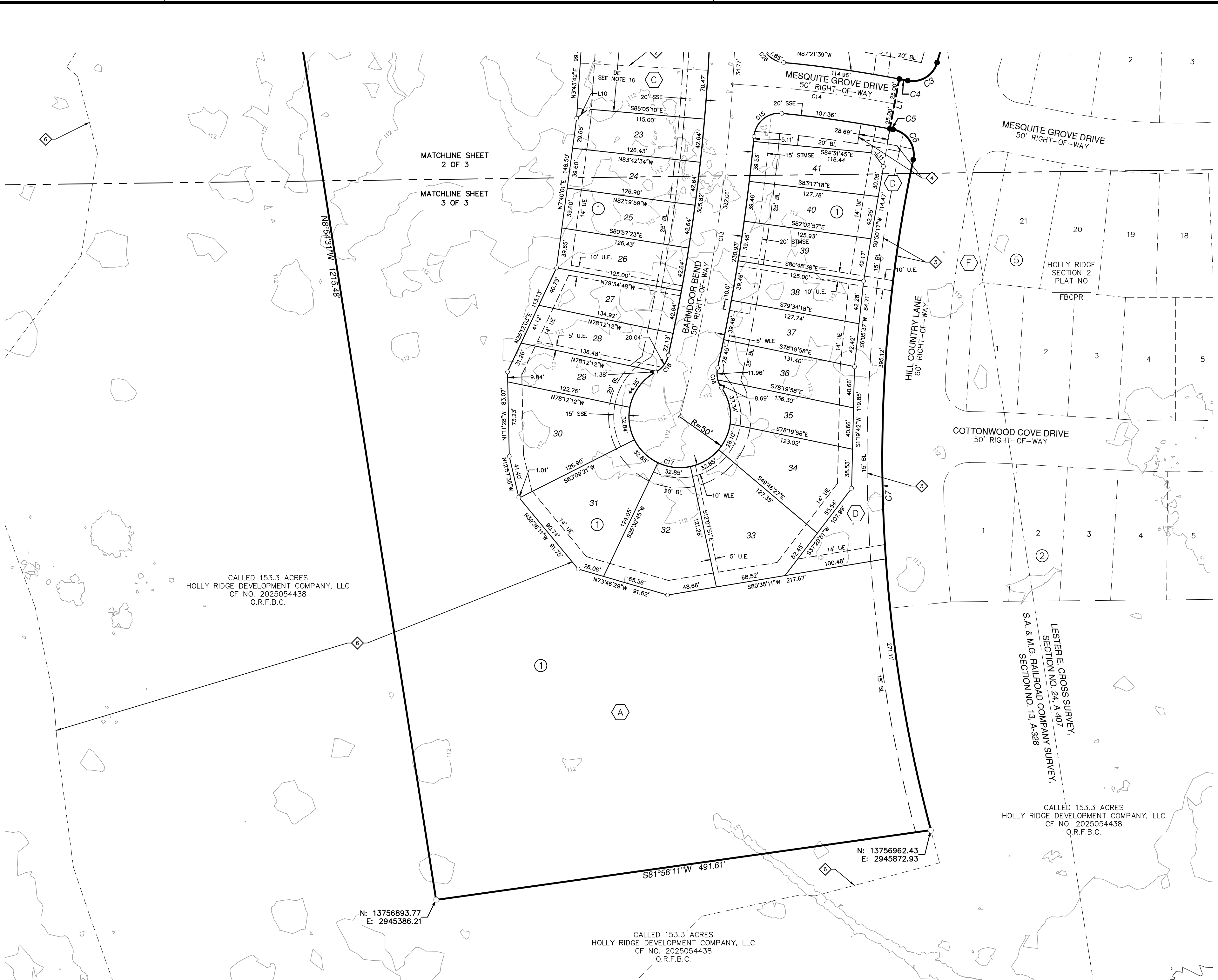
- FOUND 5/8" IRON ROD (PD)  
(UNLESS NOTED OTHERWISE)  
SET 5/8" IRON ROD (PD)
- STREET NAME CHANGE
- ① BLOCK NUMBER
- Ⓐ RESERVE SYMBOL

**ABBREVIATION LEGEND**

ESMT	EASEMENT
VOL. PG.	VOLUME PAGE
POB	POINT OF BEGINNING
R	RADIUS
ROW	RIGHT OF WAY
FBCCR	FORT BEND COUNTY DEED RECORDS
FBCCR	FORT BEND COUNTY PLAT RECORDS
OPRFBC	OFFICIAL PUBLIC RECORDS FORT BEND COUNTY
N:	NORTHING COORDINATES
E:	EASTING COORDINATES
UE	UTILITY EASEMENT
CF NO.	CLERK'S FILE NUMBER
BL	BUILDING LINE
WLE	WATER LINE EASEMENT
SSE	SANITARY SEWER EASEMENT
STMSE	STORM SEWER EASEMENT
NTS	NOT TO SCALE
DE	DRAINAGE EASEMENT
PD	PAPE-DAWSON

**EXISTING EASEMENTS**

- ◇ WLE  
FBCCF NO. 2025117892
- ◇ STMSE  
FBCCF NO. 2025117893
- ◇ 15' STMSE  
FBCCF NO. 2025117893
- ◇ 20' SSE  
FBCCF NO. 2025117889
- ◇ 20' STMSE  
FBCCF NO. 2025077385
- ◇ DETENTION EASEMENT  
FBCCF NO. 2025117888



**LOCATION MAP**  
NOT TO SCALE  
MAP REF: KEY MAP 602P

**LINE TABLE**

LINE #	BEARING	LENGTH
L1	S10°47'53"W	50.00'
L2	S10°50'38"W	10.00'
L3	S51°24'47"E	10.47'
L4	S50°03'00"W	14.72'
L5	S50°03'04"W	14.13'
L6	S10°03'36"E	20.00'
L7	S54°00'40"W	20.00'
L8	S38°47'41"E	13.37'
L9	N43°17'09"W	14.34'
L10	N51°17'26"E	14.48'
L11	S36°43'30"E	16.64'

**CURVE TABLE**

CURVE #	RADIUS	DELTA	CHORD BEARING	CHORD LENGTH
C1	385.00'	128°24'09"	N42°56'26"W	693.25'
C2	1430.00'	5°28'41"	S18°31'18"W	136.67'
C3	25.00'	85°24'34"	S58°29'14"W	33.91'
C4	1225.00'	0°23'39"	N79°00'18"W	8.43'
C5	1175.00'	0°09'58"	S79°07'08"E	3.41'
C6	25.00'	90°52'31"	S33°35'53"E	35.62'
C7	1430.00'	26°41'38"	S1°30'27"E	660.22'
C8	152.99'	48°5'42"	N43°18'28"E	125.09'
C9	332.69'	25°47'54"	N32°04'33"E	148.54'
C10	153.93'	59°55'08"	N15°00'56"E	153.74'
C11	400.00'	24°27'05"	S88°37'06"W	169.41'
C12	50.00'	73°45'12"	S39°30'57"W	60.01'
C13	1800.00'	11°40'35"	N82°30'59"E	366.19'
C14	1200.00'	7°39'56"	N83°02'06"W	160.43'
C15	25.00'	90°15'08"	S50°26'12"W	35.43'
C16	25.00'	47°19'05"	S11°05'56"E	20.06'
C17	50.00'	276°22'01"	N76°34'27"W	66.67'
C18	25.00'	49°05'54"	N37°03'37"E	20.77'
C19	25.00'	24°57'05"	N9°50'11"W	10.80'
C20	50.00'	122°17'43"	N36°50'08"E	87.59'
C21	25.00'	22°51'15"	N88°33'23"E	9.91'
C22	25.00'	33°54'05"	N77°44'09"E	14.58'
C23	50.00'	273°02'08"	S17°18'11"W	68.81'
C24	25.00'	62°49'40"	N57°35'35"W	26.06'
C25	25.00'	73°45'12"	S39°30'57"W	30.00'
C26	25.00'	87°13'06"	S40°58'12"E	34.49'

**RESERVE TABLE**

RESERVE	ACREAGE	PURPOSE	PROPOSED OWNER	MAINTENANCE
Ⓐ	12.83	LANDSCAPE/ OPEN SPACE/ DRAINAGE / DETENTION	FBMUD 265	FBMUD 265
Ⓑ	0.555	LANDSCAPE/ OPEN SPACE	HOA	HOA
Ⓒ	0.239	LANDSCAPE/ OPEN SPACE	HOA	HOA
Ⓓ	0.423	LANDSCAPE/ OPEN SPACE	HOA	HOA

# HOLLY RIDGE SECTION 8

A SUBDIVISION OF 21.12 ACRES SITUATED IN THE S.A. & M.G. R.R. CO. SURVEY SECTION NO. 13, ABSTRACT NO. 328 AND IN THE LESTER E. CROSS SURVEY, SECTION NO. 24, ABSTRACT NO. 407, FORT BEND COUNTY, TEXAS BEING A PARTIAL REPLAT OF LOTS 4 & 5 OF SLAVIN & GEORGE SUBDIVISION RECORDED IN VOLUME 64, PAGE 252, VOLUME 64, PAGE 363, AND VOLUME 64, PAGE 293 OF THE FORT BEND COUNTY DEED RECORDS.

JANUARY, 2026 SCALE: 1"= 60'

41 RESIDENTIAL LOTS 4 RESERVES 1 BLOCK

REASON FOR REPLAT: TO CREATE SINGLE FAMILY RESIDENTIAL LOTS

**OWNER/DEVELOPER:**  
HOLLY RIDGE DEVELOPMENT COMPANY LLC,  
A TEXAS LIMITED LIABILITY COMPANY  
1401 WOODLANDS FRWY,  
THE WOODLANDS, TEXAS 77380  
TEL. 713.452.1700

**PAPE-DAWSON**  
2107 CITYWEST BLVD, 3RD FLR | HOUSTON, TX 77042 | 713.428.2400  
TEXAS ENGINEERING FIRM #470 | TEXAS SURVEYING FIRM #10028800