

# PERFORMANCE TRUCK - BROOKSHIRE

34211 Katy Freeway, Brookshire, Texas 77423

Phone: (281) 239-7383

## BUYER'S ORDER

Date Prepared: 12-01-2022		Delivery Date: *TBD	Salesman: Drew Vest	Branch: Brookshire
Purchaser: Fort Bend County (Drainage District)			Telephone: 281-342-0141	Fax:
Mailing Address: 301 Jackson City: Richmond State: TX Zip: 77469				County: Fort Bend
Physical Address: 1124 Blume Rd City: Rosenberg State: TX Zip: 77471				County: Fort Bend
Description: NEW 2024 KENWORTH T880			Email Address: marc.gadway@fortbendcountytexas.gov	
Mileage:	Color: F6456 Dk Cloisonne	NOTE: Sales tax and license fee may apply but are not included in this quote.		
VIN: TO ORDER Comments: See attached vehicle summary, quote ID # QUO-920799-Q4Y2H1.				
Purchaser's Agent: Marc Gadway		Title: Fleet Manager	License Type: Commercial	Account # FBC

### LICENSE - TITLE INFORMATION

Months: 12	Tractor:	Truck: X	Trailer:	Body Type: DUMP	Color: BLU	Tons:	GCW: 54600
Apportioned:	IMC #	Combination:	Com'l: X	Token Trailer:	Gas:	Diesel: X	

### INSURANCE INFORMATION

AGENCY:	SELLING PRICE*	199,048.26
NAME: PHONE:	BUY BOARD CONTRACT 601-19	400.00

### LIEN INFORMATION

NAME: LIEN DATE:	CASH PRICE W/ACCESS.	199,448.26
ADDRESS: PHONE:	TRADE IN ALLOWANCE	-
CITY, STATE, ZIP:	NET CASH DIFFERENCE	199,448.26
COMMENTS:	FEDERAL RETAIL EXCISE TAX	-
AMOUNT: NAME:	<b>NET PRICE</b>	<b>199,448.26</b>

### ADDITIONAL INFORMATION

This proposal is for 1 truck for asap build, FOB - Houston, TX.	STATE SALES TAX	-
	LICENSE MO. & FEE	-
	TITLE FEE (INCLUDES \$5 TAG FEE)	5.00
2024 Kenworth T880 Dump Truck	COMMERCIAL INSPECTION FEE	-
Paccar MX13 EPA Engine (455 HP) / Eaton Automated Trans (10 Spd)	DEALER'S INVENTORY TAX	456.74
15' Truck Fabricators Dump Bed w/ 3/16 Floor Material & Donovan Bullet	DOCUMENTARY FEE**	75.00
Electric Tarp system installed	EXTENDED WARRANTY	-
	SUBTOTAL	199,985.00
	BALANCE OWED ON TRADE	-
	SUBTOTAL	199,985.00
*Delivery date to be determined when build slot becomes available.	PREPAYMENT	-
	BALANCE DUE UPON DELIVERY	199,985.00

### DISCLAIMER OF WARRANTY

Any warranties on the products sold hereby are those made by the manufacturer. The seller, CLEVELAND MACK SALES, INC., PERFORMANCE TRUCK OR PERFORMANCE TRAILER, hereby expressly disclaims all warranties, either express or implied, including any implied warranty of merchantability or fitness for a particular purpose, and CLEVELAND MACK SALES, INC., PERFORMANCE TRUCK OR PERFORMANCE TRAILER neither assumes nor authorizes any other person to assume for it any liability in connection with the sale of said products.

### \* PRICE IS SUBJECT TO INDUSTRY AND ENVIRONMENTAL COST IMPACTS BEYOND THE CONTROL OF PERFORMANCE TRUCK

\*\* A DOCUMENTARY FEE IS NOT AN OFFICIAL FEE. A DOCUMENTARY FEE IS NOT REQUIRED BY LAW, BUT MAY BE CHARGED TO BUYERS FOR HANDLING DOCUMENTS RELATING TO THE SALE. A DOCUMENTARY FEE MAY NOT EXCEED A REASONABLE AMOUNT AGREED TO BY THE PARTIES. THIS NOTICE IS REQUIRED BY LAW.

*Vehicle(s) are subject to prior sale and will not be held more than five working days.*

PURCHASER \_\_\_\_\_

THIS ORDER NOT BINDING UNTIL ACCEPTED BY DEALER.

SALESPERSON \_\_\_\_\_

ACCEPTED BY \_\_\_\_\_



PERFORMANCE TRUCK - CLEVELAND (C359)  
 1287 HIGHWAY 59 NORTH  
 CLEVELAND, Texas 77328

FORT BEND COUNTY  
 201 PAYNE LANE  
 RICHMOND, Texas 77469  
 United States of America

Drew Vest  
 Cell Phone: 281-610-8007  
 Office Phone: 713-844-7111  
 Email: avest@performancetruck.com

Marc Gadway  
 Email: marc.gadway@fortbendcountytexas.gov

## Vehicle Summary

	Unit		Chassis	
Model:	T880 Series Conventional	Fr Axle Load (lbs):		14600
Type:	FULL TRUCK	Rr Axle Load (lbs):		40000
Description 1:	T880 Dump Chassis	G.C.W. (lbs):		54600
Description 2:	Drainage District			
	<b>Application</b>	Road Conditions:		
Intended Serv.:	Local pickup & delivery: Vehicles	Class A (Highway)		85
	which			
Commodity:	Gravel/crushed rock/sand.	Class B (Hwy/Mtn)		10
		Class C (Off-Hwy)		5
		Class D (Off-Road)		0
Type:	<b>Body</b>	Maximum Grade:		6
	End dump.	Wheelbase (in):		190
Length (ft):	15	Overhang (in):		60
Height (ft):	13.5	Fr Axle to BOC (in):		68
Max Laden Weight (lbs):	5000			
		Cab to Axle (in):		122
		Cab to EOF (in):		182
		Overall Comb. Length (in):		298.5
	<b>Trailer</b>			
No. of Trailer Axles:	0			
Type:				
Length (ft):	0			
Height (ft):	0			
Kingpin Inset (in):	0			
Corner Radius (in):	0			
	<b>Restrictions</b>			
Length (ft):	120			
Width (in):	102			
Height (ft):	13.5			

**Special Req.**  
 U.S. Domestic registry, 50-state.

Approved by: \_\_\_\_\_

Date: \_\_\_\_\_

Note: All sales are F.O.B. designated plant of manufacture.



Sales Code	Std/Opt	Description	Weight
<b>Model</b>			
0000810	S	<b>T880 Series Conventional</b>	<b>15,549</b>
0070060	S	<b>T880</b>	<b>0</b>
0080075	O	<b>Dealer/Customer declines engine w/CARB Idle Emissions Reduction Feature.</b>	<b>0</b>
0090000	S	<b>Non-Sleeper w/rear axle capacity less than 59K.</b>	<b>0</b>
0098443	O	<b>State of Registry: Texas</b>	<b>0</b>
<b>Engine &amp; Equipment</b>			
0701202	S	<b>MX-13 455 455@1600 1650@900</b> 2021 with Engine Brake N09020 AE001 NO....ENBL MX RETARDER IN NEUTRAL N08200 AE002 650...IDLE TARGET N09100 AA003 64....CC MAX TARGET SPD N09110 AA004 10....CC MIN ENABLE SPD N09120 AA005 OFF...DYNAMIC CC ENABLE N09440 AA061 2000..CAB:MAX ENG SPD-ACCEL CNTRL N09430 AA062 2000..CAB: MAX ENG SPD - SW CNTRL N09420 AA063 6.....CAB: MAX VEH SPD N09510 AA065 800...CAB: DEDICATED PRESET "-" N09520 AA066 900...CAB: DEDICATED PRESET "+" N09780 AA049 CNCL..CAB: CUSTOM PRESET 1 FUNC N09640 AA050 0.....CAB: CUSTOM PRESET 1 N09790 AA051 CNCL..CAB: CUSTOM PRESET 2 FUNC N09650 AA052 0.....CAB: CUSTOM PRESET 2 N09800 AA053 CNCL..CAB: CUSTOM PRESET 3 FUNC N09660 AA054 0.....CAB: CUSTOM PRESET 3 N09500 AA060 OFF...CAB: PRESET +/- SW TYPE N09630 AA067 TRQ...CAB:ACCEL PEDAL TYPE IN PTO N09400 AA068 YES...CAB:ACCEL ACTV IN CAB PTO N09470 AA055 ON....CAB: CLUTCH INTLK N09840 AA056 OFF...CAB: CUSTOMER INTLK N09480 AA057 ON....CAB: NEUTRAL INTLK N09460 AA058 ON....CAB: PARK BRK INTLK N09490 AA059 ON....CAB:SER BRK INTLK:NO PTO N09540 AA074 2000..REM:MAX ENG SPD-ACCEL CNTRL N09530 AA075 2000..REM:MAX ENGSPD-SW/TSC1 CTRL N09610 AA077 800...REM: DEDICATED PRESET "-" N09620 AA078 900...REM: DEDICATED PRESET "+" N09810 AA043 CNCL..CAB/REM:CUSTOM PRESET1 FUNC N09670 AA044 750...CAB/REM: CUSTOM PRESET 1 N09820 AA045 CNCL..CAB/REM:CUSTOM PRESET2 FUNC N09680 AA046 850...CAB/REM:CUSTOM PRESET 2 N09830 AA047 CNCL..CAB/REM:CUSTOM PRESET3 FUNC N09690 AA048 950...CAB/REM: CUSTOM PRESET 3 N09600 AA079 OFF...REM: PRESET +/- SW TYPE N09410 AA069 YES...PTO REM PEDAL ENABLE	<b>0</b>

Price Level: January 1, 2023

Deal: T880 Dump Chassis

Printed On: 11/15/2022 7:59:14 AM

Date: November 15, 2022

Quote Number: QUO-920799-Q4Y2H1



Sales Code	Std/Opt	Description	Weight
		N09560 AA070 ON AD.REM: CLUTCH INTLK	
		N09700 AA071 OFF...REM: CUSTOMER INTLK	
		N09570 AA072 ON AD.REM: NEUTRAL INTLK	
		N09580 AA073 ON AD.REM:SER BRK INTLK:NO PTO	
		N09550 AA076 650...REM: MIN ENG SPD	
		N09450 AA064 650...CAB: MIN ENG SPD	
		N09760 AA009 5.....DRIVER REWARD VEH SPD BONUS	
		N09770 AA010 -5.....DRIVER REWARD VEH SPD PNLTY	
		N09750 AA013 NONE..OFFSET MODE	
		N09720 AA015 3.....MIN SPD FOR DR SHIFT AID	
		N09730 AA016 10....DSA LOWEST ACTV GEAR	
		N09740 AA017 1.....DSA HIGHEST ACTV GEAR	
		N09340 AA019 YES...EIST PARK BRK RESET ENABLE	
		N09300 AA022 30....EIST LO CLNT TEMP OVERRIDE	
		N09290 AA023 80....EIST HI AMBAIR TEMP OVRRDE	
		N09280 AA024 39....EIST LO AMBAIR TEMP OVRRDE	
		N09260 AA025 5.....EIST PTO MAX IDLE TIME	
		N09230 AA026 5.....EIST PARKED MAX IDLE TIME	
		N09220 AA027 5.....EIST STANDSTILL IDLE TIME	
		N09240 AA029 YES...EIST RESET FROM ENG LOAD	
		N09250 AA030 NO....EIST OVERRIDE FROM ENG LOAD	
		N09200 AA031 0.....EIST EXPIRATION DISTANCE	
		N09310 AA032 YES...EIST ACCEL PEDAL RESET	
		N09330 AA033 YES...EIST SERVICE BRK RESET	
		N09320 AA034 YES...EIST CLUTCH PEDAL RESET	
		N09270 AA035 YES...EIST PTO OVERRIDE	
		N08030 AA086 72....MAX ACCEL PEDAL VEH SPD	
		N08000 AA087 0.....VSL EXPIRATION DISTANCE	
		N08020 AA088 72....LRSL SPD LMT	
		N09350 AA042 1900..FAST IDLE CNTRL MAX ENG SPD	
		N09050 AA037 4.....DSL SPD OFFSET	
		N09040 AA038 2.....AUTO RTRDR VEH SPD OFFSET	
		N09030 AA039 0.....TIME DELAY FOR RTRDR ACT	
		N09130 AA006 MT....MULTI TORQUE IN CC	
		N09080 AQ001 4.....PCC Negative Offset	
		N09090 AQ002 4.....PCC Positive Offset	
		N09710 AA089 NO....REMOTE INPUTS IN CAB PTO	
		N08200 AE002 650...IDLE TARGET	
1000046	O	<b>EPA Emissions Warranty Engine</b>	<b>0</b>
1000151	S	<b>PremierSpec</b>	<b>0</b>
1000206	O	<b>Engine monitoring protection -Shutdown- PACCAR</b> MX engine parameter.	<b>0</b>
1000244	O	<b>Gearing Analysis: Balance</b> power/economy blend results.	<b>0</b>
1000251	O	<b>Customer's Typical Operating Spd: 60 MPH.</b>	<b>0</b>
1000282	O	<b>MX Retarder State Cruise Control On Manual Mode</b> Selecting this code will program the engine controller to make manual mode available when cruise control is on, but not set, and the engine	<b>0</b>

Price Level: January 1, 2023

Deal: T880 Dump Chassis

Printed On: 11/15/2022 7:59:14 AM

Date: November 15, 2022

Quote Number: QUO-920799-Q4Y2H1

Sales Code	Std/Opt	Description	Weight
		brake switch is on. Manual mode means the engine retarder activates whenever the throttle pedal is not depressed. 2013+	
1000684	O	<b>Effective VSL Setting NA</b>	0
1000858	O	<b>Engine Idle Shutdown Timer Disabled</b>	0
1000891	O	<b>Eff EIST NA Expiration Miles</b> Use only with MX and Cummins engines	0
1006003	S	<b>Air Compressor: WABCO 25.9 CFM PACCAR MX</b> 2017+ 440cc Air Compressor	0
1051200	S	<b>Air Cleaner: composite firewall mounted PACCAR or</b> Cummins engines	0
1099080	O	<b>Pre-cleaner mounted in the hood plenum</b>	0
1105210	S	<b>Fan hub: Horton 2-Speed for PACCAR MX</b>	0
1123555	S	<b>Cooling module: 1330 square inches.</b> Includes aluminum radiator core, aluminum charge air cooler, translucent surge tank and washer bottle, silicone hoses, and extended life coolant.	0
1160208	O	<b>Radiator bug screen mounted between hood &amp;</b> grille.	2
1247234	S	<b>EXH: 2021 RH Under DPF/SCR with RH SOC Vertical</b> tailpipe. Not 2.1m high roof sleepers	0
1290124	O	<b>Tailpipe: 5 in. single 24 in. 45 degree curved.</b>	-3
1321101	S	<b>Fuel Filter: PACCAR Extended Service Interval</b> On-Engine Fuel/Water Separator. 2021 Emissions MX Engines only.	0
1321205	S	<b>Run Aid:Fuel Heat</b> *For Fuel Filter	0
1321305	S	<b>Start Aid:12V Heat</b> *For Fuel Filter	0
1812163	S	<b>Alternator: PACCAR HDS 160 AMP Brushed</b>	0
1821210	S	<b>Batteries: 3 PACCAR GP31 threaded post (700-730)</b> 2100-2190 CCA dual purpose.	0
1836102	S	<b>PACCAR Premium 12V Starter with PACCAR MX Engines</b> PACCAR 12 volt electrical system. With centralized power distribution incorporating plug-in style relays. Circuit protection for serviceability, 12-volt light system w/circuit protection circuits number & color coded.	0
1840005	O	<b>Battery disconnect switches 2, mounted on</b> battery box.	2
1840065	S	<b>12V low voltage disconnect for starter battery</b> protection.	0
1900996	O	<b>Jump start terminals under hood.</b>	12
1901017	S	<b>Remote PTO/Throttle, 12-Pin, Engine Bay</b> Remote Control Provision	0
1903020	O	<b>Decline Driver Performance Assistant (DPA)</b>	0

Price Level: January 1, 2023

Deal: T880 Dump Chassis

Printed On: 11/15/2022 7:59:14 AM

Date: November 15, 2022

Quote Number: QUO-920799-Q4Y2H1



Sales Code	Std/Opt	Description	Weight
<b>Transmission &amp; Clutch</b>			
2038253	O	<b>Eaton AMT LSM Package - Vocational Config</b> Low Speed Maneuverability, Rev=Blended Pedal, Drive=Urge to Move, Manual=Standard, Low=Blended Pedal Eaton AMT Low Speed Maneuverability parameters to utilize various Eaton low speed functions depending on transmission shift selection (Reverse, Drive, Manual, Low). Eaton service tool can be utilized to reconfigure parameters individually if customer desires something other than typical Linehaul or Vocational package options.	0
2050007	O	<b>Neutral Coast Mode Disabled</b> Eaton Automated Transmission Programming.	0
2058409	O	<b>Transmission:Eaton FO16E308LL-VCS UltraShift Plus</b> 10-speed w/Hill Start Aid feature. Standard with synthetic lubricant. This product has extended forward and reverse gear ratio coverage specifically designed for dump truck or other construction applications. *Torque Limit: 1650 pound-feet.	284
2250385	O	<b>Clutch:UltraShift Plus Or Fuller Advantage Series</b> Automated transmissions.	0
2408502	O	<b>Driveline: 2 Meritor RPL25 SD; 1 Centerbearing</b>	114
2429351	O	<b>First Transmission PTO compatibility -</b> Chelsea 230/236/238/442/489/660/680-V3 or Muncie CS8/SH8/TG8S-P1 bottom mounted 6 or 8-Bolt PTO's for all Eaton & PACCAR transmissions. This application includes use of the standard hydraulic clutch actuator on Eaton FR & RT transmissions and supports bottom mounted 6 and 8-Bolt PTO's with single acting air actuation.	0
2429361	O	<b>First Customer Installed Eaton/PACCAR Trans PTO.</b>	0
2460042	O	<b>14" Eaton High Capacity Standard Cooler</b> Oil to Water. For Transmission 1550-2250 LBFT, 18-speed AutoShift.	0
2493009	O	<b>Aluminum clutch housing</b>	0
<b>Front Axle &amp; Equipment</b>			
2513031	O	<b>Meritor MFS14 Plus14.6K 3.5in.</b> Drop Standard Track.	-79
2621310	O	<b>Front Brakes: 14.6K Bendix ES s-cam 16.5x5 in.</b>	-62
2690002	O	<b>Front Brake Drums: 14.6K 16.5x5 in. cast.</b>	78
2690029	O	<b>Drum Brake Knuckle for use on Meritor MFS PLUS</b> Steer Axle	20
2702500	O	<b>Front Hub: iron hub pilot 14,600 lbs.</b> 11-1/4 in. bolt circle. For use w/ air disc brakes. Consider wheelguards (5850002) w/ aluminum wheels.	48
2741970	S	<b>ConMet PreSet Plus Hub package; front axle.</b>	0
2750001	S	<b>Hubcap: front vented.</b>	0

Price Level: January 1, 2023

Deal: T880 Dump Chassis

Printed On: 11/15/2022 7:59:14 AM

Date: November 15, 2022

Quote Number: QUO-920799-Q4Y2H1

Sales Code	Std/Opt	Description	Weight
2765001	O	<b>Front Auto Slack Adjuster.</b>	0
2864019	O	<b>Front Springs: Taperleaf 14.6K w/shock absorbers</b> 2-leaf. With maintenance-free elastomer spring pin bushings. Standard with rubber pins. Not available on W900L or W900S.	-101
2895101	O	<b>Single power steering gear: 16K Sheppard SD110.</b>	-64
2899336	S	<b>Power Steering Cooler:Radiator Mounted Air-to-Oil</b>	0
2900615	O	<b>Threaded bushings for taperleaf springs</b> 12K - 14.6K replacing rubber: T6/T8, W900B, W990. W9L gets as standard: code not required. Not available with W9S. 13K - 14.6K for T370.	0
<b>Rear Axle &amp; Equipment</b>			
3122252	O	<b>Dual Meritor MP40-14x4 rear axle rated at 40K.</b> w/ heavy-wall housing with pump. Tandem rear axles.	-401
3200390	O	<b>Rear Axle Ratio - 3.90.</b>	0
3334004	S	<b>Dual Rear Brakes 16-1/2x7 in. to 46K;</b> Bendix ES-extended service S-cam.	0
3392005	S	<b>Dual Rear Brake Drums: cast.</b>	0
3407046	O	<b>Longer studs for aluminum wheels w/ steel hub</b> pilot wheels.	6
3407050	S	<b>Dual Rear Hubs: Aluminum hub pilot 46K</b> 11-1/4 in. bolt circle.	0
3441972	S	<b>ConMet PreSet Plus Hub package; dual rear axle.</b>	0
3465002	S	<b>Dual Rear axle automatic slack adjusters.</b>	0
3485207	S	<b>Spring Brake: 3030 long stroke dual 30 square</b> inches travel. Helps keep brakes in adjustment longer.	0
3495228	O	<b>Bendix 4S/4M anti-lock brake system w/ air</b> traction control (ATC).	2
3500058	S	<b>Interaxle Driveline: 1 Meritor RPL20</b> Replacing I/A *Use W/ RPL(SD) 25 Main D/L	0
3736418	O	<b>Rear suspension: Tandem Reyco 102 40K.</b> 4-spring multileaf & 52 in. axle spacing. Steel crossmembers & gussets. Unladen Height: 10.8 in. Laden Height: 9.2 in.	116
3830145	O	<b>Delete standard heavy-duty air springs for rear</b> suspension.	-28
<b>Tires &amp; Wheels</b>			
4038677	O	<b>Front tires: Goodyear G291 315/80R22.5 18PR.</b> 42.3 in. diameter, all position. 19.7 in. SLR.	162
4277449	O	<b>Rear tires: Bridgestone M726ELA 11R24.5 16PR</b> 44.2 in. diameter, highway drive tire. 20.6 in. SLR. Code is priced per pair of tires.	248



Sales Code	Std/Opt	Description	Weight
4900008	O	<b>Rear Tire Quantity: 8</b>	0
5042311	O	<b>Front Wheel: Accuride 29039 22.5X9 steel</b> Steel Armor[™] powder coat, hub-pilot mount. 10000lb. maximum rating. 5-hand holes.	70
5242315	O	<b>Rear Wheel: Accuride 50641 24.5X8.25 steel</b> ACCU-LTE. Steel Armor[™] powder coat, hub-pilot mount. 7400lb. maximum rating. 5-hand hole.	64
5853906	O	<b>Powder coat white steel wheel. Use in conjunction</b> with front, dual front, rear, spare or lift axle wheel code(s). All wheels on chassis must have same finish color.	0
5900008	O	<b>Rear Wheel/Rim Quantity: 8</b>	0
<b>Frame &amp; Equipment</b>			
6056400	O	<b>Frame Rails: 10-3/4 x 3-1/2 x 3/8in. Steel 285in.</b> to 336 in. Truck frame weight is 3.48 lb.-in. per pair of rails. Section modulus is 17.80, RBM is 2,132,000 in.-lbs per rail. Frame rail availability may be restricted based upon application, axle/suspension capacity, fifth wheel setting, or component/dimensional specifications. The results of the engineering review may result in a change to the requested frame rail. If a change is required Kenworth Application Engineering will advise the dealer of the appropriate material specification for a substitute rail.	247
6302361	O	<b>Bumper: Tapered polished aluminum channel.</b> Requires a bumper setting code.	-6
6319485	S	<b>48.5 in. Bumper setting. Requires a bumper code.</b>	0
6324025	O	<b>Front tow hook: Center mounted, cast.</b> Requires iron front drive brackets.	28
6390312	O	<b>Brackets: Iron front spring drive. Included with</b> front spring capacity of 16,000 lbs or greater; code not required.	47
6391201	O	<b>Custom Frame Layout: one chassis</b> CFL A/D: MOUNT AIR DRYERS CLEAR OF TRANSMISSION AREA	0
6400636	O	<b>Battery box cantilever aluminum BOC with</b> fiberglass cover.	8
6409902	O	<b>Battery box location: RH Side.</b>	15
6451090	S	<b>T470,C5, T6, T8 non-polished DPF/SCR or CNG cover</b> diamond plate w/ step. For use w/ 2010 or later exhaust systems. For T8, use extended length non-polished battery box on opposite rail to match the length of under cab components. End plates will be painted standard black frame color.	0
6679856	O	<b>Final end-of-frame cut-off dimension will be</b> modified to less than or equal to 45 in.	0
6721102	S	<b>Rear mudflap arms: Betts B-25 standard-duty,</b> straight. Includes B1732 mounting brackets as standard.	0
6722000	S	<b>Rear mudflap shields: White plastic antisail w/</b> Kenworth logo.	0
6742009	S	<b>Square end-of-frame w/o crossmember; non-towing.</b>	0

Price Level: January 1, 2023

Deal: T880 Dump Chassis

Printed On: 11/15/2022 7:59:14 AM

Date: November 15, 2022

Quote Number: QUO-920799-Q4Y2H1



Sales Code	Std/Opt	Description	Weight
<b>Fuel Tanks &amp; Equip</b>			
7210090	O	<b>Fuel Tank: 90 US gallon 24.5in. aluminum under</b> replace. Class 8 fuel tanks w/o locking caps include an anti-siphon device on the filler neck.	-4
7722153	S	<b>Small round DEF tank, 14 gallons.</b> The DEF tank will be located on the side you specified. If you have specific configuration or body builder concerns, please utilize the Custom Frame Layout option. Standard capacity is calculated by fuel capacity of the vehicle and will accommodate two diesel fill-ups for every DEF fill-up. For 1:1 DEF fuel fill ratio, add 7889204.	0
7831008	O	<b>6 in. wide lower fuel tank step, for one 22 in.</b> or 24.5 in. tank LH.	2
7889203	S	<b>DEF to fuel fill ratio 2:1 or greater.</b>	0
7889245	S	<b>Anti-siphon device in fuel tank filler neck.</b> For any number of fuel tanks.	0
7889604	S	<b>DEF tank location is LH.</b>	0
7920090	O	<b>Location: 90 gal fuel tank LH under cab</b>	0
<b>Cab &amp; Equipment</b>			
8025301	S	<b>Cab: Stamped aluminum cab with panoramic curved</b> glass windshield. Standard with stamped aluminum doors, heavy duty in-swinging hinges, and triple sealed doors. Manufactured using self-piercing rivets and structural adhesive. Includes LED exterior marker lights and turn signals.	0
8090605	S	<b>Hood: T880 Short Length MX-Optimized W/Mechan.</b> Fastened Fenders. 116.7 inch BBC.	0
8108002	O	<b>Fine particulate filter for cabin air HVAC</b> system. To provide extra filtration in high dust applications. Cabin airflow is reduced with this additional filter. *Cannot be used with code 8108003.	0
8108011	S	<b>Cab HVAC - Day Cab and 40in Sleeper</b> System With Defrost, A/C, and 48,000 BTU/hr Heater. Includes automatic temperature control with one touch defrost operation and dash mounted cab temperature and solar intensity sensors. Pleated fresh air filter and cabin recirculation air filter standard. The Kenworth HVAC system is designed to provide optimal heating and cooling in all operating environments without need for additional insulation. Cab HVAC without sleeper heater AC is available with 40in sleeper.	0
8201047	S	<b>Kenworth Smartwheel: 18 in. Non-Leather With</b> Integrated Radio and Cruise Controls.	0
8201052	S	<b>Column Mtd TMSN Control W/Retarder Cntrl, RH Side</b> Use with Automated and Automated Manual Transmissions Only	0
8201200	S	<b>Adjustable telescoping tilt steering column.</b>	0
8203060	O	<b>5 sets of keys. Replaces standard 2 sets of keys.</b>	0
8205164	O	<b>Dash Switch: 1st Single-Acting Eaton or PACCAR</b>	0

Price Level: January 1, 2023

Deal: T880 Dump Chassis

Printed On: 11/15/2022 7:59:14 AM

Date: November 15, 2022

Quote Number: QUO-920799-Q4Y2H1

Sales Code	Std/Opt	Description	Weight
		Mounted PTO. Electric switch, wiring, software, air solenoids, and plumbing are factory-installed to control the 1st Eaton (single-acting) trans PTO.	
8208495	O	<b>Two spare switches: Wired to power.</b>	0
8208602	O	<b>Dash Switch: W/light &amp; guard for truck dump gate.</b> Includes approximately 3 meters of coiled wire BOC in LH rail.	0
8221160	O	<b>Gauge: Engine Oil Temperature Gauge With Integral</b> warning light. The NavPlus HD unit includes a virtual engine oil temperature gauge.	0
8222404	S	<b>Gauge: DD Virtual Gauge - Oil Temp Engine</b>	0
8222413	S	<b>Gauge: DD Virtual Gauge - Manifold</b> Pressure Boost	0
8222414	S	<b>Gauge: DD Virtual Gauge - Engine Percent</b> Torque	0
8222712	O	<b>Gauge: Fuel filter restriction gauge.</b>	0
8222722	O	<b>Gauge: Manifold Pressure Gauge.</b> The NavPlus HD unit includes a virtual manifold pressure gauge.	0
8225658	O	<b>Gauge: Axle oil temperature, dual-drive axle.</b> (2 gauges) w/integral warning light.	0
8226667	O	<b>Gauge: Oil Temperature Gauge Transmission.</b> The NavPlus HD unit includes a virtual transmission oil temperature gauge.	0
8282027	S	<b>Main Instrument Package: 15" Digital Display.</b> Includes Speedometer, Tachometer, Primary Air Pressure, Secondary Air Pressure, Fuel Level #1, DEF Level, DPF Filter Status, Fuel Economy, Oil Pressure, Coolant Temp, OAT and Voltmeter, and Air Application.	0
8282108	O	<b>Modular Dash Options: RH Dash storage unit with</b> two shelves. Reduces total gauge count; HD by 6 and MD by 4.	0
8300008	S	<b>Interior color: Slate Gray</b>	0
8330102	S	<b>Interior package: Vantage daycab</b> Includes durable headliner and vinyl sidewalls with geometric patterned trim and anodized aluminum accents throughout. Convenient overhead storage cubbies, full size glove box, two center console cupholders, and large door pad map pocket. Standard LH/RH power windows, electric door locks, interior LED lighting, nighttime-friendly red ambient lighting for dash and footwell, and door mounted courtesy light. Includes two standard 12V power outlets. Driver sunvisor includes strap.	0
8390634	S	<b>Rubber floormat</b>	0
8410200	O	<b>Driver Seat: GT701 HB with Vinyl material.</b> The GT701 is standard with a single air bag, scissor linkage seat suspension. It includes a single chamber lumbar support, 10in Fore/Aft adjustment, 7in Up/Down adjustment, 2.5in pan extension, 51 degree	0



Sales Code	Std/Opt	Description	Weight
		seat back recline, and 16 degree full seat tilt. Includes 3-point matching seat belts. DR seat standard w/ dual armrests.	
8460199	O	<b>Rider Seat: GT701 IB with Vinyl material.</b> The GT701 is standard with a single air bag, scissor linkage seat suspension. It includes a single chamber lumbar support, 10in Fore/Aft adjustment, 7in Up/Down adjustment, 2.5in pan extension, 51 degree seat back recline, and 16 degree full seat tilt. Includes 3-point matching seat belts. RD seat standard w/ LH armrest.	34
8490181	S	<b>Seat Color: Black</b>	0
8601432	O	<b>Kenworth Radio DEA710 AM/FM/WB/USB, Bluetooth</b>	0
8698974	S	<b>Base Level Audio System - Daycab:High Performance</b> Door Speakers.	0
8700197	S	<b>Turn Signal: Non-Self Cancelling</b>	0
8700283	S	<b>LH and RH Trip Ledge Rain Deflectors</b>	0
8700663	S	<b>Kenworth TruckTech+</b> The Kenworth Remote Diagnostics system provides the Worlds Best reporting of engine and aftertreatment fault codes, as well as enhanced support for the truck owner through rapid communication of fault severity and recommended actions. This option is Standard on all Heavy Duty Kenworths with a PACCAR MX engine, Cummins X15 engine, PX engine or Natural Gas engine. Optional on Medium Duty Kenworths.	0
8800260	O	<b>Long grabhandle RH side mounted to side-of-cab</b> exhaust.	2
8800372	O	<b>Grabhandle: LH, Exterior, Side of Cab - Ergonomic</b> Grab Handle Mounted To The Left Hand Exterior Of The Cab For Entry and Exit.	3
8800402	S	<b>Dual Cab Interior Grabhandles: A Pillar Mounted</b> Dash Wrap and B Pillar Mounted Grabhandles	0
8832113	S	<b>Kenworth Daylite Door with standard LH/RH</b> electric door locks and LH/RH electric window controls.	0
8841411	S	<b>Single air horn under cab.</b>	0
8850139	S	<b>Look-Down, Pass. Door, Black 11x6</b>	0
8865002	S	<b>Aero Mirror: Dual Kenworth Aerodynamic Motorized</b> heated mirrors, 7in X 13in with cab color mirror shell and black mirror arms. Also includes LH/RH heated 6in X 7in convex mirrors. Mirror brackets set for 8-1/2 ft load width. Mirror controls located on driver side door pad.	0
8871446	S	<b>Rear cab stationary window 19in x 36in</b>	0
8890038	O	<b>3.5in x 11.5in Plastic Records Holder:Mounted On</b> Rear Cab Panel. Not available With Sleeper Or 2 Person Bench Seat.	0
8890101	S	<b>One-piece bonded-in windshield with curved glass.</b> Standard.	0

Price Level: January 1, 2023

Deal: T880 Dump Chassis

Printed On: 11/15/2022 7:59:14 AM

Date: November 15, 2022

Quote Number: QUO-920799-Q4Y2H1

<b>Sales Code</b>	<b>Std/Opt</b>	<b>Description</b>	<b>Weight</b>
8890135	S	<b>Exterior stainless steel sunvisor.</b>	<b>19</b>
8890349	S	<b>Wheelwell Fender Extension: 2.5 Inches</b>	<b>0</b>
8890876	S	<b>Kenworth Cab/Sleeper Air Suspension.</b>	<b>0</b>
<b>Lights &amp; Instruments</b>			
9010553	S	<b>Headlamps: SAE Dual Halogen Complex Reflector</b>	<b>0</b>
9022137	S	<b>Marker Lights: Five, rectangular, LED</b>	<b>0</b>
9030016	S	<b>Turn Signal Lights: Flush mounted LED. Mounted at top of fender wheel arc.</b>	<b>0</b>
9030052	S	<b>LED Stop, Turn, Tail: With Two LED Backup Lights and With An LED License Plate.</b>	<b>0</b>
9090027	O	<b>Headlamps to turn on when wipers are active.</b>	<b>0</b>
9090039	S	<b>Marker Lights: Interrupter Switch.</b> Included in Turn Signal For All Models Except T3. The T3 Switch Is In The Dash.	<b>0</b>
9090052	O	<b>Brake Lights on when Engine Brake Active.</b> Can only be selected when chassis also has engine brake. Cannot be used with options to delete engine brake.	<b>0</b>
9090126	O	<b>Electric Backup Alarm: Meets SAE J994 &amp; OSHA requirements.</b>	<b>4</b>
9090849	O	<b>Polyswitches replacing fuses. Switch will automatically reset after removal of excess load.</b>	<b>0</b>
<b>Air Equipment</b>			
9101218	S	<b>Air Dryer: Bendix AD-HF Puraguard Heated</b>	<b>0</b>
9108001	S	<b>Moisture ejection valve w/ pull cable drain.</b>	<b>0</b>
9140020	S	<b>Nylon air tubing in frame &amp; cab, excluding hoses subject to excessive heat or flexing.</b>	<b>0</b>
<b>Extended Warranty</b>			
9200006	O	<b>Base Warranty - PACCAR MX-11 &amp; MX-13 Engine</b> 24 months / 250,000 miles / 400,000 km / 6250 hours.	<b>0</b>
9200021	S	<b>Base Warranty - Standard Service Heavy Duty</b> 12 months / 100,000 miles / 160,000 km.	<b>0</b>
9201828	O	<b>EW: US Basic Vehicle 5 year/100,000 miles,</b> United States only.	<b>0</b>
9212601	S	<b>24 Month TruckTech+ Subscription for PACCAR MX Engines w/ OTA Functionality</b>	<b>0</b>
9220001	O	<b>Base Warranty: Emissions</b> 5YR/100K MI - EPA Engine (Does not include CARB Clean Idle sticker)	<b>0</b>
<b>Miscellaneous</b>			



<b>Sales Code</b>	<b>Std/Opt</b>	<b>Description</b>	<b>Weight</b>
9409852	O	<b>GHG Secondary Manufacturer: Does Not Apply</b>	<b>0</b>
9490206	O	<b>Warning triangle reflector kit: Shipped loose.</b> Kit consists of 3 triangles in plastic carrying case. Not floor mounted.	<b>4</b>
9490404	O	<b>One 5 lb. dry chemical type fire extinguisher</b> mounted outboard of driver seat. Class ABC.	<b>11</b>
9491659	S	<b>VMUX Architecture</b>	<b>0</b>

### Promotions

### Paint

9700000	O	<b>Paint color number(s).</b>  N9702 A - F6456 DK CLOISONNE N9720 FRAME N0001 BLACK	<b>0</b>
9943004	O	<b>Bumper Unpainted</b>	<b>0</b>
9943052	O	<b>Day Cab Pearl Metallic Paint</b>	<b>0</b>
9944820	S	<b>1 - Color Paint - Day Cab</b> Color will be White if no other color is specified.	<b>0</b>
9965510	S	<b>Base coat/clear coat.</b> The Kenworth Color Selector contains additional instructions, as well as information on Kenworth paint guidelines and surface finish applications. Kenworth is standard with Dupont Imron Elite paint.	<b>0</b>

### Order Comments



Total Weight

16,453

## Prices and Specifications Subject to Change Without Notice.

---

Unpublished options may require review/approval.

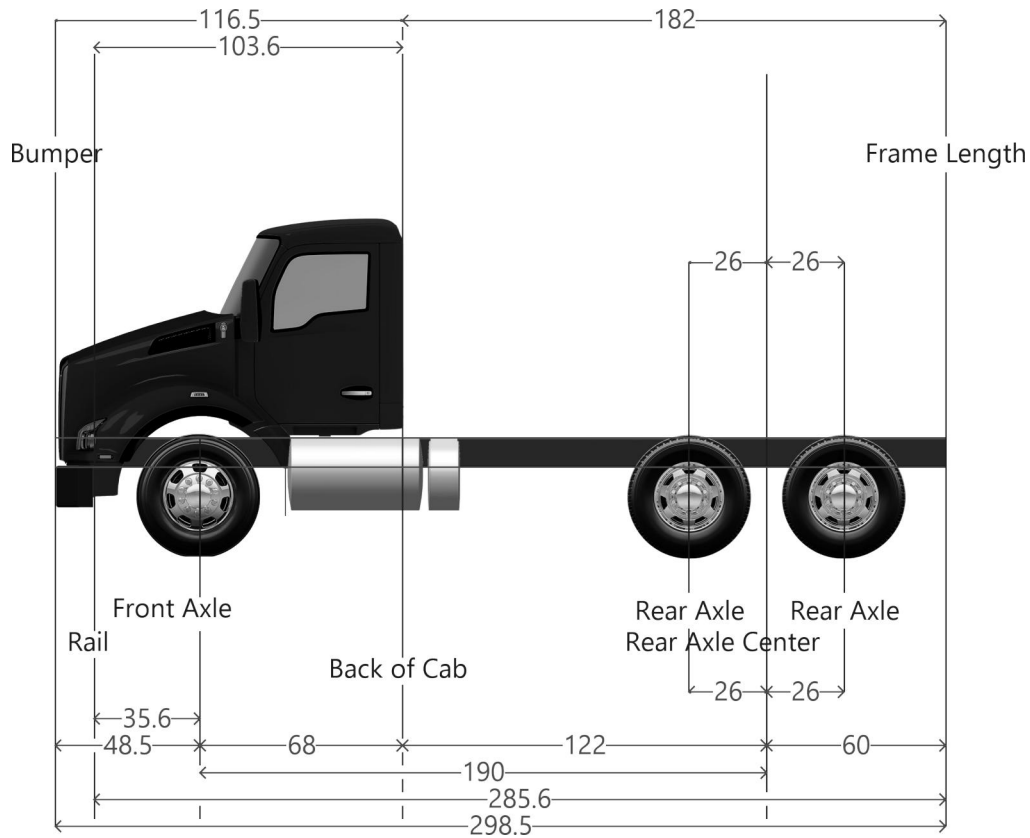
Dimensional and performance data for unpublished options may vary from that displayed in CRM.

---

### **PRICING DISCLAIMER**

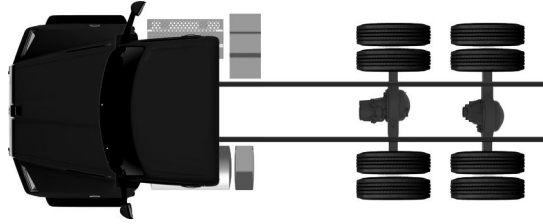
*While we make every effort to maintain the web site to preserve pricing accuracy, prices are subject to change without notice. Although the information in this price list is presented in good faith and believed to be correct at the time of printing, we make no representations or warranties as to the completeness or accuracy of this information. We reserve the right to change, delete or otherwise modify the pricing information which is represented herein without any prior notice. We carefully check pricing specifications, but occasionally errors can occur, therefore we reserve the right to change such prices without notice. We disclaim all liability for any errors or omissions in the materials. In no event will we be responsible for any damages of any nature whatsoever from the reliance upon information from these materials. Please check your order prebills to confirm your pricing information*

## HORIZONTAL DIMENSIONS



Dimension	Measurement	Start	End
Axle Spacing	52	164	216
Bumper to Back of Cab	116.5	-48.5	68
Bumper to Front Axle	48.5	-48.5	0
Bumper to Front Frame	12.9	-48.5	-35.6
Cab to End of Frame	182.0	68	250
Cab to Rear Axle	122.0	68	190
Effective Bumper to Back Of Cab	116.5	-48.5	68
Frame Length	285.6	-35.6	250
Front Axle to Back of Cab	68.0	0	68
Front of Frame to Axle	35.6	-35.6	0
Load Space	182.0	68	250
Overall Length	298.5	-48.5	250
Overhang	60.0	190	250
Pusher Offset #1	26.0	164	190
Pusher Offset #2	26.0	164	190
Pusher Offset #3	26.0	164	190
Tag Offset	26.0	190	216
Wheelbase	190	0	190

## FRAME LAYOUT



**Note:** Optional content may be displayed. The order has not yet received an engineering review. The actual arrangement of components may not be exactly as pictured. Additional changes may be made to the layout by Kenworth. Add a Custom Frame Layout code if an exact layout is required.

### Selected Options (Wheelbase: 190)

Sales Code	Description	Length	Side
7210090	Fuel Tank: 90 US gallon 24.5in. aluminum under	45.5	Left
7722153	Small round DEF tank, 14 gallons.	10.2	Left
6400636	Battery box cantilever aluminum BOC with	17.3	Right

Truck Fabricators LLC

10307 Wallisville Rd  
Houston Tx 77013

Date	Invoice #
9/28/2022	

Bill To
Performance Truck

Ship To

P.O. Number	Terms	Rep	Ship	Via	F.O.B.	Project
Quantity	Item Code	Description			Price Each	Amount
1	service	Furnish and Install a 15 Ft Square dump bed with A-36 3/16 Material with Electric Tarp Aluminum Arms, With LED Lights, With D.O.T Tape, Backup Alarm Primed and Painted as the customer desire the color.				
					<b>Total</b>	