



3. **Limit of Appropriation.** Contractor clearly understands and agrees, such understanding and agreement being of the absolute essence of this Agreement, that County shall have available the total maximum sum of Sixty-Seven Thousand, Forty-One and 0/100 dollars (\$67,041.00), specifically allocated to fully discharge any and all liabilities County may incur. Contractor does further understand and agree, said understanding and agreement also being of the absolute essence of this Agreement, that the total maximum compensation that Contractor may become entitled to and the total maximum sum that County may become liable to pay to Contractor shall not under any conditions, circumstances, or interpretations thereof exceed Sixty-Seven Thousand, Forty-One and 0/100 dollars (\$67,041.00). In no event will the amount paid by the County for all services under this Agreement exceed this Limit of Appropriation without an amendment executed by the parties.
4. **Public Information Act.** Contractor expressly acknowledges that County is subject to the Texas Public Information Act, TEX. GOV'T CODE ANN. §§ 552.001 *et seq.*, as amended, and notwithstanding any provision in the Agreement to the contrary, County will make any information related to the Agreement, or otherwise, available to third parties in accordance with the Texas Public Information Act. Any proprietary or confidential information marked as such provided to County by Contractor shall not be disclosed to any third party, except as directed by the Texas Attorney General in response to a request for such under the Texas Public Information Act, which provides for notice to the owner of such marked information and the opportunity for the owner of such information to notify the Attorney General of the reasons why such information should not be disclosed. The terms and conditions of the Agreement are not proprietary or confidential information.
5. **Indemnity.** The parties agree that under the Constitution and laws of the State of Texas, County cannot enter into an agreement whereby County agrees to indemnify or hold harmless another party; therefore, all references of any kind to County defending, indemnifying, holding or saving harmless Contractor for any reason are hereby deleted.
6. **Applicable Law; Arbitration; Attorney Fees.** The laws of the State of Texas govern all disputes arising out of or relating to this Agreement. The parties hereto acknowledge that venue is proper in Fort Bend County, Texas, for all legal actions or proceedings arising out of or relating to this Agreement and waive the right to sue or be sued elsewhere. Nothing in the Agreement shall be construed to waive the County's sovereign immunity. County does not agree to submit disputes arising out of the Agreement to binding arbitration. Therefore, any references to binding arbitration or the waiver of a right to litigate a dispute are hereby deleted. County does not agree to pay any and/or all attorney fees incurred by Contractor in any way associated with the Agreement.
7. **Certain State Law Requirements for Contracts.** The contents of this Section are required by Texas Law and are included by County regardless of content.
  - a. Agreement to Not Boycott Israel Chapter 2271 Texas Government Code: By signature below, Brandt Companies verifies that if Contractor employs ten (10) or more full-time employees and this Agreement has a value of \$100,000 or more, Contractor does not boycott Israel and will not boycott Israel during the term of this Agreement.

- b. Texas Government Code § 2252.152 Acknowledgment: By signature below, Contractor represents pursuant to § 2252.152 of the Texas Government Code, that Contractor is not listed on the website of the Comptroller of the State of Texas concerning the listing of companies that are identified under § 806.051, § 807.051, or § 2252.153.
8. **Modifications and Waivers.** The parties may not amend or waive this Agreement, except by a written agreement executed by both parties. No failure or delay in exercising any right or remedy or requiring the satisfaction of any condition under this Agreement, and no course of dealing between the parties, operates as a waiver or estoppel of any right, remedy, or condition. The rights and remedies of the parties set forth in this Agreement are not exclusive of, but are cumulative to, any rights or remedies now or subsequently existing at law, in equity, or by statute. No other provisions to this Agreement apply except for the terms which appear and/or are referenced in this Addendum and Exhibit A.
9. **Human Trafficking.** BY ACCEPTANCE OF CONTRACT, CONTRACTOR ACKNOWLEDGES THAT FORT BEND COUNTY IS OPPOSED TO HUMAN TRAFFICKING AND THAT NO COUNTY FUNDS WILL BE USED IN SUPPORT OF SERVICES OR ACTIVITIES THAT VIOLATE HUMAN TRAFFICKING LAWS.
10. **Use of Customer Name.** Contractor may use County's name without County's prior written consent only in any of Contractor's customer lists, any other use must be approved in advance by County.
11. **Performance Warranty.** Contractor warrants to County that Contractor has the skill and knowledge ordinarily possessed by well-informed members of its trade or profession practicing in the greater Houston metropolitan area and Contractor will apply that skill and knowledge with care and diligence to ensure that the Services provided hereunder will be performed and delivered in accordance with the highest professional standards.
- Contractor warrants to County that the Services will be free from material errors and will materially conform to all requirements and specifications contained in the attached Exhibit A.
12. **Conflict.** In the event there is a conflict between this Addendum and Exhibit A, this Addendum controls.
13. **Understanding, Fair Construction.** By execution of this Addendum, the parties acknowledge that they have read and understood each provision, term and obligation contained in this Addendum. This Addendum, although drawn by one party, shall be construed fairly and reasonably and not more strictly against the drafting party than the nondrafting party.
14. **Captions.** The section captions used in this Agreement are for convenience of reference only and do not affect the interpretation or construction of this Agreement.
15. **Electronic and Digital Signatures.** The parties to this Agreement agree that any electronic and/or digital signatures of the parties included in this Agreement are intended to authenticate this writing and to have the same force and effect as the use of manual signatures.

16. **Successors and Assigns.** County and Contractor bind themselves and their successors, executors, administrators and assigns to the other party of this Agreement and to the successors, executors, administrators and assigns of the other party, in respect to all covenants of this Agreement.
17. **Ownership and Reuse of Documents.** All documents, data, reports, research, graphic presentation materials, etc., developed by Contractor as a part of its work under this Agreement, shall become the property of County upon completion of this Agreement, or in the event of termination or cancellation thereof, at the time of payment under § 2 for work performed. Contractor shall promptly furnish all such data and material to County on request.
18. **Personnel.** Contractor represents that it presently has, or is able to obtain, adequate qualified personnel in its employment for the timely performance of the Services required under this Agreement and that Contractor shall furnish and maintain, at its own expense, adequate and sufficient personnel, to perform the Services when and as required and without delays.

All employees of Contractor shall have such knowledge and experience as will enable them to perform the duties assigned to them. Any employee of Contractor or agent of Contractor who, in the opinion of County, is incompetent or by his conduct becomes detrimental to providing Services pursuant to this Agreement shall, upon request of County, immediately be removed from association with the Services required under this Agreement.

When performing Services on-site at the County, Contractor shall comply with, and ensure that all Contractor Personnel comply with, all rules, regulations and policies of County that are communicated to Contractor in writing, including security procedures concerning systems and data and remote access thereto, building security procedures, including the restriction of access by County to certain areas of its premises or systems for security reasons, and general health and safety practices and procedures.

19. **Compliance with Laws.** Contractor shall comply with all federal, state, and local laws, statutes, ordinances, rules and regulations, and the orders and decrees of any courts or administrative bodies or tribunals in any matter affecting the performance of this Agreement, including, without limitation, Worker's Compensation laws, minimum and maximum salary and wage statutes and regulations, licensing laws and regulations. When required by County, Contractor shall furnish County with certification of compliance with said laws, statutes, ordinances, rules, regulations, orders, and decrees above specified.
20. **Confidential Information.** Contractor acknowledges that it and its employees or agents may, in the course of performing their responsibilities under this Agreement, be exposed to or acquire information that is confidential to County. Any and all information of any form obtained by Contractor or its employees or agents from County in the performance of this Agreement shall be deemed to be confidential information of County ("Confidential Information"). Any reports or other documents or items (including software) that result from the use of the Confidential Information by Contractor shall be treated with respect to

confidentiality in the same manner as the Confidential Information. Confidential Information shall be deemed not to include information that (a) is or becomes (other than by disclosure by Contractor) publicly known or is contained in a publicly available document; (b) is rightfully in Contractor's possession without the obligation of nondisclosure prior to the time of its disclosure under this Agreement; or (c) is independently developed by employees or agents of Contractor who can be shown to have had no access to the Confidential Information.

Contractor agrees to hold Confidential Information in strict confidence, using at least the same degree of care that Contractor uses in maintaining the confidentiality of its own confidential information, and not to copy, reproduce, sell, assign, license, market, transfer or otherwise dispose of, give, or disclose Confidential Information to third parties or use Confidential Information for any purposes whatsoever other than the provision of Services to County hereunder, and to advise each of its employees and agents of their obligations to keep Confidential Information confidential. Contractor shall use its best efforts to assist County in identifying and preventing any unauthorized use or disclosure of any Confidential Information. Without limitation of the foregoing, Contractor shall advise County immediately in the event Contractor learns or has reason to believe that any person who has had access to Confidential Information has violated or intends to violate the terms of this Agreement and Contractor will at its expense cooperate with County in seeking injunctive or other equitable relief in the name of County or Contractor against any such person. Contractor agrees that, except as directed by County, Contractor will not at any time during or after the term of this Agreement disclose, directly or indirectly, any Confidential Information to any person, and that upon termination of this Agreement or at County's request, Contractor will promptly turn over to County all documents, papers, and other matter in Contractor's possession which embody Confidential Information.

Contractor acknowledges that a breach of this Section, including disclosure of any Confidential Information, or disclosure of other information that, at law or in equity, ought to remain confidential, will give rise to irreparable injury to County that is inadequately compensable in damages. Accordingly, County may seek and obtain injunctive relief against the breach or threatened breach of the foregoing undertakings, in addition to any other legal remedies that may be available. Contractor acknowledges and agrees that the covenants contained herein are necessary for the protection of the legitimate business interest of County and are reasonable in scope and content.

Contractor in providing all services hereunder agrees to abide by the provisions of any applicable Federal or State Data Privacy Act.

21. **Independent Contractor.** In the performance of work or services hereunder, Contractor shall be deemed an independent contractor, and any of its agents, employees, officers, or volunteers performing work required hereunder shall be deemed solely as employees of Contractor or, where permitted, of its subcontractors. Contractor and its agents, employees, officers, or volunteers shall not, by performing work pursuant to this Agreement, be deemed to be employees, agents, or servants of County and shall not be entitled to any of the privileges

or benefits of County employment.

22. **Severability.** If any provision of this Agreement is determined to be invalid, illegal, or unenforceable, the remaining provisions remain in full force, if the essential terms and conditions of this Agreement for each party remain valid, binding, and enforceable.
23. **Insurance.** Prior to commencement of the Services under this Agreement, Contractor shall furnish County with properly executed certificates of insurance which shall evidence all insurance required and provide that such insurance shall not be canceled, except on 30 days' prior written notice to County. Contractor shall provide certified copies of insurance endorsements and/or policies if requested by County. Contractor shall maintain such insurance coverage from the time Services commence until Services are completed and provide replacement certificates, policies and/or endorsements for any such insurance expiring prior to completion of Services. Contractor shall obtain such insurance written on an Occurrence form from such companies having Bests rating of A/VII or better, licensed or approved to transact business in the State of Texas, and shall obtain such insurance of the following types and minimum limits:
- (a) Workers' Compensation insurance. Substitutes to genuine Workers' Compensation Insurance will not be allowed. Employers' Liability insurance with limits of not less than \$1,000,000 per injury by accident, \$1,000,000 per injury by disease, and \$1,000,000 per bodily injury by disease.
  - (b) Commercial general liability insurance with a limit of not less than \$1,000,000 each occurrence and \$2,000,000 in the annual aggregate. Policy shall cover liability for bodily injury, personal injury, and property damage and products/completed operations arising out of the business operations of the policyholder.
  - (c) Business Automobile Liability insurance with a combined Bodily Injury/Property Damage limit of not less than \$1,000,000 each accident. The policy shall cover liability arising from the operation of licensed vehicles by policyholder.
  - (d) Professional Liability insurance with limits not less than \$1,000,000. County and the members of Commissioners Court shall be named as additional insured to all required coverage except for Workers' Compensation and Professional Liability (if required). All Liability policies including Workers' Compensation written on behalf of Contractor shall contain a waiver of subrogation in favor of County and members of Commissioners Court. For Commercial General Liability, the County shall be named as an Additional Insured on a Primary & Non-Contributory basis.

If required coverage is written on a claims-made basis, Contractor warrants that any retroactive date applicable to coverage under the policy precedes the effective date of the contract; and that continuous coverage will be maintained or an extended discovery period will be exercised for a period of two years beginning from the time that work under the Agreement is completed.

Contractor's or Contractor's subcontractor's insurance will be primary to any insurance carried or self-insurance program established by the County. Contractor's or Contractor's subcontractor's insurance will be kept in force until all service have been fully performed and

accepted by County in writing. Approval of the insurance by Fort Bend County shall not relieve or decrease the liability of the Contractor.

Certificates of Insurance and Additional Insured Endorsements as required by this Agreement will be mailed, or faxed to the following County contact:

Name: Wyatt Scott, Director of Risk Management  
Address: 301 Jackson St., Suite 224, Richmond, TX 77469  
Facsimile Number: 281-341-3751

*{Execution Page Follows}*

*{Remainder of Page Intentionally Left Blank}*

IN WITNESS WHEREOF, this Addendum is signed, accepted, and agreed to by all parties by and through the parties or their agents or authorized representatives. All parties hereby acknowledge that they have read and understood this Addendum and the attachments and exhibits hereto. All parties further acknowledge that they have executed this legal document voluntarily and of their own free will. This Agreement is effective upon execution by both parties.

FORT BEND COUNTY

STAR SERVICE, INC.

\_\_\_\_\_  
KP George  
County Judge

  
\_\_\_\_\_  
Authorized Agent – Signature

ATTEST:

DOUG FISCHER  
\_\_\_\_\_  
Authorized Agent – Printed Name

\_\_\_\_\_  
Laura Richard, County Clerk

GENERAL MANAGER  
\_\_\_\_\_  
Title

\_\_\_\_\_  
Date

8/22/22  
\_\_\_\_\_  
Date

AUDITOR'S CERTIFICATE

I hereby certify that funds in the amount of \$\_\_\_\_\_ are available to pay the obligation of Fort Bend County within the foregoing Agreement.

\_\_\_\_\_  
Robert Ed Sturdivant, County Auditor

Exhibit A: Star Service, Inc.'s Proposal dated August 11, 2022

# Exhibit A



# Proposal

Proposal Date	Proposal Number	Customer #
August 11, 2022	DMC080922	FBCM

BY AND BETWEEN:

Star Service, Inc.  
7425 Major St.  
Houston, TX 77061

AND

Fort Bend County  
301 Jackson St  
Richmond, Texas 77469

SERVICES WILL BE PROVIDED AT THE FOLLOWING LOCATION(S):

Fort Bend Boys & Girls Club, 5525 Hobby Rd, Houston, Texas 77053

We are pleased to offer this solution on the below referenced project. Our solution includes all labor, material, insurance and supervision to perform the following scope of work:

**This Contract is Negotiated Through the Interlocal Purchasing System (TIPS), ESC8, HVAC Contract's # 22010601 & 22010602**

**Replace Both 15-Ton Package Units & Replace All Exterior Ductwork Serving Gym Area**

**Scope of Work**

**Provide the necessary crane, rigging & trucking throughout project timeline as required**

- Provide the required City of Houston mechanical permit
- Perform Lockout/Tagout to high voltage electrical feed at both existing Carrier RTU's Following NFPA-70E guidelines
- Remove existing high voltage electrical feed for each RTU from existing electrical disconnect & dispose
- Remove both existing RTU's & dispose per EPA regulated guidelines
- Remove existing exterior ductwork from each unit to exterior wall & dispose
- Remove both existing curb adapters & dispose
- Seal existing roof curb with UL-181 approved foam sealant tape
- Provide & Install Two (2) New Curb Adapters to match new RTU's footprint
- Provide & install Two (2) New Trane 15-Ton Package Unit Model # EBC180A4E0C0000 (**Side Discharge & Side Return**)
- Provide & Install Two (2) New Trane 18 KW Electric Heat Kit
- Provide & Install Two (2) New Trane Condenser Hail Guard Kit
- Provide & Install Two (2) New Trane Motorized Damper (**Code Requirement**)
- Provide & Install Two (2) New Trane Condensate Overflow Safety Switches (**Code Requirement**)
- Provide & Install Two (2) New Nema-3 Outdoor Electrical Disconnects
- Provide & Install Two (2) New Honeywell 2-Stage Electronic Thermostats
- Provide & Install Two (2) New Thermostat Hard Plastic Covers
- Provide & Install the necessary new exterior DuctMate gasketed internally lined supply & return galvanized ductwork from each new RTU to exterior wall & reconnect to existing ductwork
- Provide & Install the necessary new bolts, nuts & washers required for the DuctMate seams
- Seal exterior ductwork as required
- Provide necessary new high voltage conduits, boxes, clamps, supports, wires, liquid tight conduit to reconnect existing electrical feed new package units
- Provide & Install the necessary new condensate drain piping to existing roof drain



- Remove lockout/tagouts
- Perform start-up of new RTU's and verify operation
- Cleanup work areas daily
- Schedule final inspection with City of Houston to close permit
- 1 -Year Parts & Labor Warranty
- 5 -Year Compressor Only Warranty
- All work to be performed during "**Normal Working Hours**"

**Lead Time – In Stock Locally At This Time**

**Exclusions:**

- Any work outside of the above-described solution will be quoted separately

**Total Investment Required to Implement the Proposed Solution:**

.....\$ 67,041.00

**Sixty-Seven Thousand Forty-One Dollars & 00/100**

**(Plus, all applicable taxes)**

**Quote valid for 14 days**

Thank you,  
Daniel Capone  
Star Service, Inc.

### Proposal Agreement

As a condition of performance, payments are to be made on a progress basis. Invoice payment must be made within (10) days of receipt. Any alteration or deviation from the above proposal involving extra cost of material or labor will become an extra charge over the sum stated above. This proposal will become a binding Agreement only after acceptance by Customer and approved by an officer of Contractor as evidenced by their signatures below. This agreement sets forth all of the terms and conditions binding upon the parties hereto; and no person has authority to make any claim, representation, promise or condition on behalf of Contractor which is not expressed herein.

**CONTRACTOR**

Signature (Sales Representative)

*Daniel M Capone*

**Approved for Contractor:**

Signature

Name & Title

Date

**CUSTOMER**

Signature (Authorized Representative)

Name (Print/Type)

Title

Date

Purchase Order #

## TERMS AND CONDITIONS

1. Customer shall permit Contractor free and timely access to areas and equipment, and allow Contractor to start and stop the equipment as necessary to perform required services. All planned work under this Agreement will be performed during the Contractor's normal working hours.
2. Contractor warrants that the workmanship hereunder shall be free from defects for thirty (30) days from date of installation. If any replacement part or item of equipment proves defective, Contractor will extend to Customer the benefits of any warranty Contractor has received from the manufacturer. Removal and reinstallation of any equipment or materials repaired or replaced under a manufacturer's warranty will be at Customer's expense and at the rates in effect.
3. This proposal specifically excludes all escalation of prices of material, equipment or energy from the date of this proposal until the execution of the needed material, equipment or energy associated with this particular scope of Work."
4. "This quote expires in 14 days"
5. Customer will promptly pay invoices within ten (10) days of receipt. Should a payment become thirty (30) days or more delinquent, Contractor may stop all work under this Agreement without notice and/or cancel this Agreement, and the entire Agreement amount shall become due and payable immediately upon demand.
6. Customer shall be responsible for all taxes applicable to the services and/or materials hereunder.
7. Any alteration to, or deviation from, this Agreement involving extra work, cost of materials or labor will become an extra charge (fixed price amount to be negotiated or on a time-and-material basis at Contractor's rates then in effect) over the sum stated in this Agreement.
8. In the event Contractor must commence legal action in order to recover any amount payable or owed to Contractor under this Agreement, Customer shall pay Contractor all court costs and attorneys' fees incurred by Contractor.
9. Any legal action against the Contractor relating to this Agreement, or the breach thereof, shall be commenced within one (1) year from the date of the work.
10. Contractor shall not be liable for any delay, loss, damage or detention caused by unavailability of machinery, equipment or materials, delay of carriers, strikes, including those by Contractor's employees, lockouts, civil or military authority, priority regulations, insurrection or riot, action of the elements, forces of nature, or by any cause beyond its control.
11. To the fullest extent permitted by law, Customer shall indemnify and hold harmless Contractor, its agent and employees from and against all claims, damages, losses and expenses (including but not limited to attorneys' fees) arising out of or resulting from the performance of work hereunder, provided that such claim, damage, loss or expense is caused in whole or in part by an active or passive act or omission of Customer, anyone directly or indirectly employed by Customer, or anyone for whose acts Customer may be liable, regardless of whether it is caused in part by the negligence of Contractor.
12. Customer shall make available to Contractor's personnel all pertinent Material Safety Data Sheets (MSDS) pursuant to OSHA'S Hazard Communication Standard Regulations.
13. Contractor's obligation under this proposal and any subsequent contract does not include the identification, abatement or removal of asbestos or any other toxic or hazardous substances, hazardous wastes or hazardous materials. In the event such substances, wastes and materials are encountered, Contractor's sole obligation will be to notify the Owner of their existence. Contractor shall have the right thereafter to suspend its work until such substances, wastes or materials and the resultant hazards are removed. The time for completion of the work shall be extended to the extent caused by the suspension and the contract price equitably adjusted.
14. UNDER NO CIRCUMSTANCES, WHETHER ARISING IN CONTRACT, TORT (INCLUDING NEGLIGENCE), EQUITY OR OTHERWISE, WILL CONTRACTOR BE RESPONSIBLE FOR LOSS OF USE, LOSS OF PROFIT, INCREASED OPERATING OR MAINTENANCE EXPENSES, CLAIMS OF CUSTOMER'S TENANTS OR CLIENTS, OR ANY SPECIAL, INDIRECT OR CONSEQUENTIAL DAMAGES



# Trane Foundation Electric/Electric Rooftop

## Unit Overview - EBC180A4E0A\*\*00000000000000000000000000

Application	Unit Size	Supply Fan		External Dimensions (in.)			Weight		EER	IEER/SEER
Cooling	15 Ton	Airflow	External Static Pressure	Height	Width	Length	Minimum	Maximum	11.0 EER	11.50
		6000 cfm	0.500 in H2O	4.94 ft	7.24 ft	10.26 ft	1700.0 lb	1876.0 lb		

### Unit Features

### Unit Electrical

Voltage/phase/hertz	460/60/3
MCA	37.00 A
MOP	45.00 A



### Controls

Unit Controls Electro-mechanical

### Cooling Section

Entering Dry Bulb	80.00 F	<b>Capacity</b>	
Entering Wet Bulb	67.00 F	Gross Total	183.68 MBh
Ambient Temp	95.00 F	Gross Sensible	142.30 MBh
Leaving Coil Dry Bulb	57.84 F	Net Total	179.87 MBh
Leaving Coil Wet Bulb	57.04 F	Net Sensible	138.49 MBh
Leaving Unit Dry Bulb	59.05 F	Refrig Charge-circuit 1	8.1 lb
Leaving Unit Wet Bulb	57.52 F	Refrig Charge-circuit 2	7.0 lb

### Heating Section

Heating Stages 0

### Fan Section

Indoor Fan Data		Outdoor Fan Data	
Type	FC Centrifugal	Type	Propeller
Drive Type	Belt	Fan Quantity	2
Indoor Fan Performance		Drive Type	Direct
Airflow	6000 cfm	Outdoor Fan Performance	
Design ESP	0.500 in H2O	Condenser Fan FLA	1.60 A
Component SP	0.000 in H2O	Exhaust Fan Data	
Total SP	0.500 in H2O	Type	FC Centrifugal
Indoor Motor Operating Power	1.37 bhp	Drive Type	Direct
Indoor Motor Power	1.02 kW	Exhaust Fan Performance	
Indoor RPM	622 rpm	Exhaust Fan Power	0.56 kW
		Exhaust Fan FLA	4.80 A

### Compressor Section

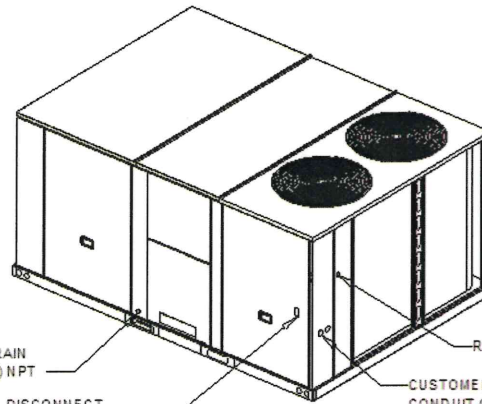
Circuit 1 RLA	12.80 A
Circuit 2 RLA	12.80 A

### Accessories

Roof curb	Roof curb (15 - 25 Tons)
-----------	--------------------------



Job Name: Consolidated Customer Reports - EBC180A  
Prepared By:  
Unit Tag: EBC180A/460V  
Quantity: 1

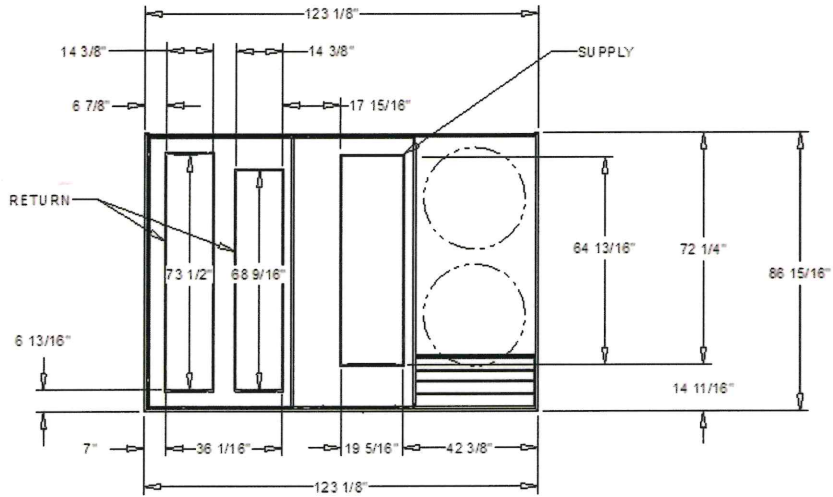


- NOTES:  
1. THRU -THE -BASE ELECTRICAL IS NOT STANDARD ON ALL UNITS.  
2. VERIFY WEIGHT, CONNECTION, AND ALL DIMENSION WITH INSTALLER DOCUMENTS BEFORE INSTALLATION

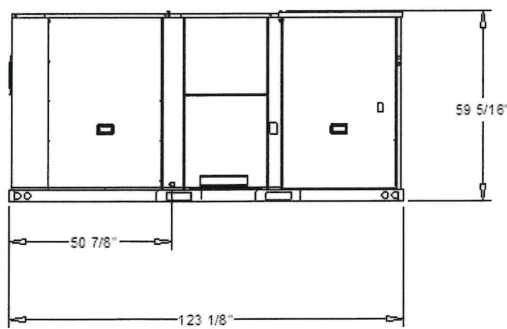
CONDENSATE DRAIN CONNECTION (1" NPT)  
DISCONNECT SWITCH ACCESS  
REFRIGERANT GAUGE ACCESS  
CUSTOMER POWER CONDUIT CONNECTION (ALTERNATE)

PACKAGED COOLING DOWNFLOW

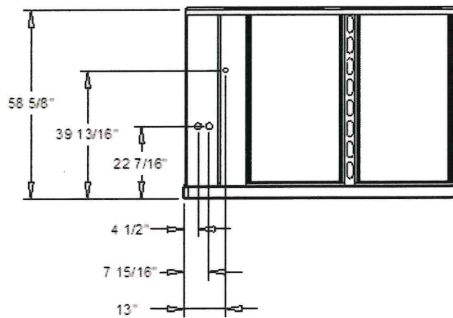
DIMENSION DRAWING



PLAN VIEW OF UNIT  
DIMENSION DRAWING



FRONT VIEW OF UNIT  
DIMENSION DRAWING



RIGHT VIEW OF UNIT  
DIMENSION DRAWING

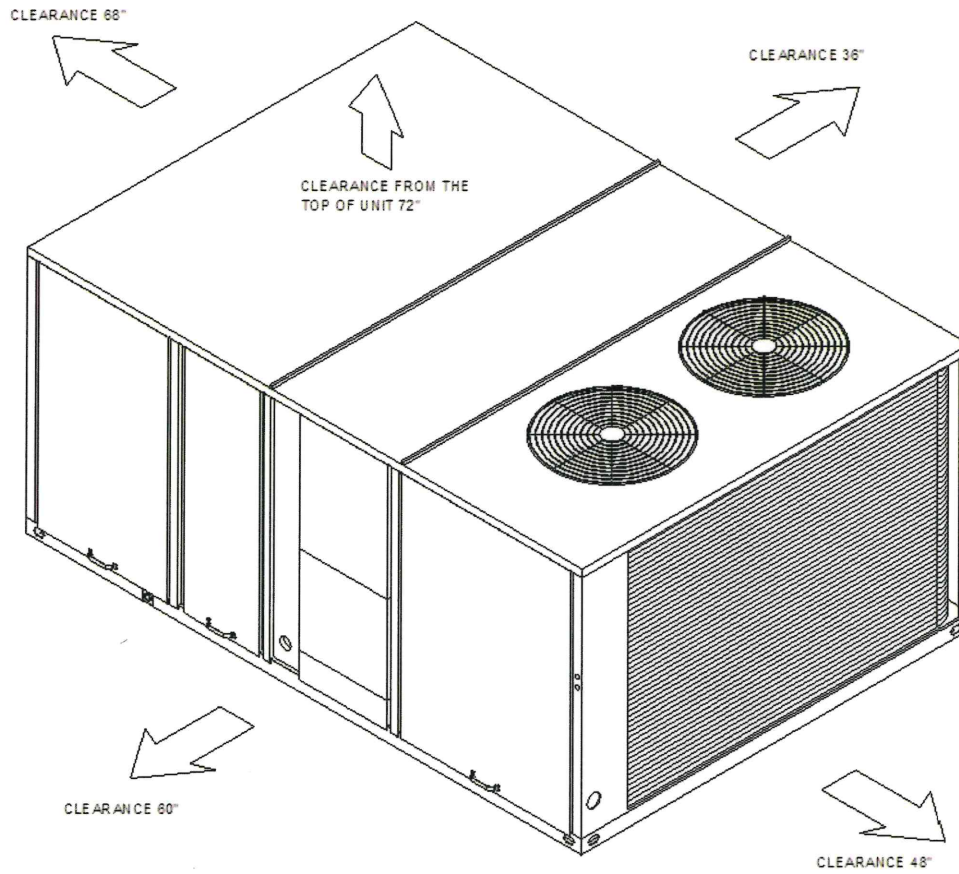


**ELECTRICAL / GENERAL DATA**

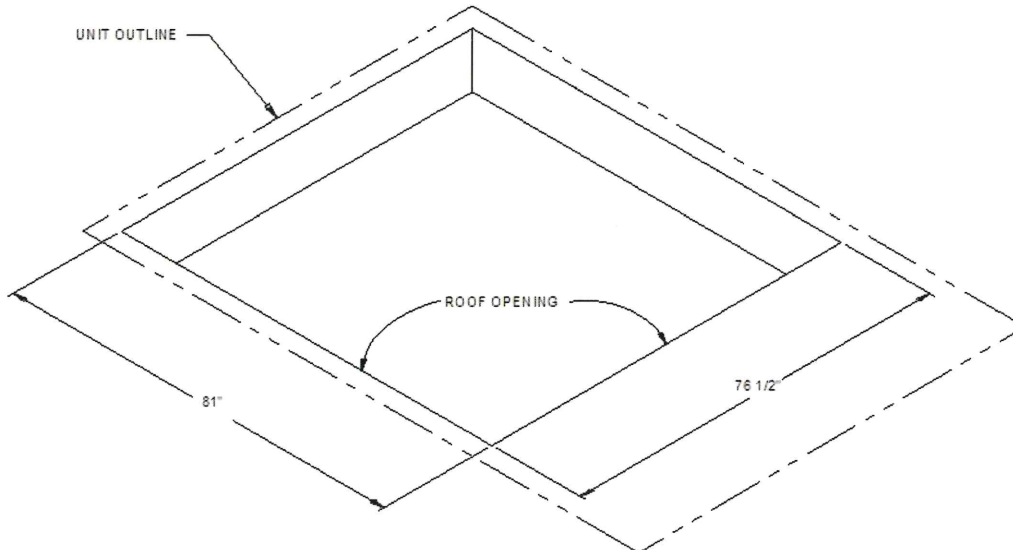
<b>GENERAL</b> <sup>(2)(4)(9)(7)(10)</sup> Model: EAC180 Oversized Motor Unit Operating Voltage: - BC180 MCA: Unit Primary Voltage: 460 MFS: Unit Secondary Voltage: - MCB: Unit Hertz: 60 Unit Phase: 3  EER / SEER: IEER One Speed Fan: 11.5 IEER Multi Speed Fan: -  Standard Motor Field Installed Oversized Motor MCA: 37.0 MCA: MFS: 45.0 MFS: MCB: 45.0 MCB:		
<b>INDOOR MOTOR</b> Standard Motor Oversized Motor Field Installed Oversized Motor Number: 1 Number: Number: Horsepower: 3.0 Horsepower: Motor Speed (RPM): 1750 Motor Speed (RPM): Phase 3 Phase Full Load Amps: 4.8 Full Load Amps: Locked Rotor Amps: 40.5 Locked Rotor Amps:		
<b>COMPRESSOR</b> Circuit 1/2 Number: 2 Horsepower: 7.0/6.0 Phase: 3 Rated Load Amps: 13.5/10.2 Locked Rotor Amps: 100.0/62.0	<b>OUTDOOR MOTOR</b> Number: 2 Horsepower: 1.0 Motor Speed (RPM): 1100 Phase: 3 Full Load Amps: 1.4 Locked Rotor Amps: 5.92	
<b>POWER EXHAUST ACCESSORY</b> <sup>(3)</sup> (Field Installed Power Exhaust) Phase: Horsepower: Motor Speed (RPM): Full Load Amps: Locked Rotor Amps:	<b>FILTERS</b> Type: Throwaway Furnished: Yes Number: 8 Recommended: 20"x25"x2"	<b>REFRIGERANT</b> <sup>(2)</sup> Type R-410A Factory Charge Circuit #1 7.6 lb / 7.0 lb Circuit #2

**NOTES:**

1. Maximum (HACR) Circuit Breaker sizing is for installations in the United States only.
2. Refrigerant charge is an approximate value. For a more precise value, see unit nameplate and service instructions.
3. Value does not include Power Exhaust Accessory.
4. Value does not include Heater.
5. Value include Standard Motor.
6. Value include Oversized Motor.
7. EER is rated at AHRI conditions and in accordance with DOE test procedures.
8. For Compressor Motors and Condenser Fan Motors: Amp draw for each motor; multiply value by number of motors to determine total amps.
9. HP for each compressor.
10. Integrated Energy Efficiency Ratio (IEER) is rated in accordance with AHRI standard 210/240 or 360.

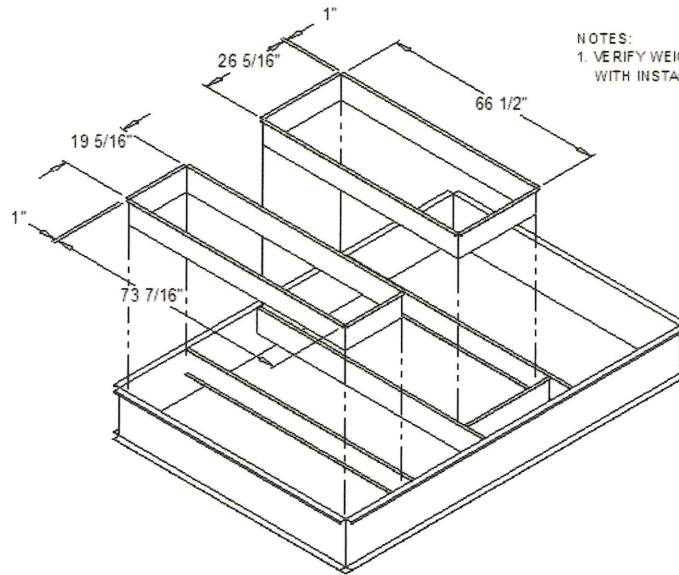


DOWNFLOW-PACKAGED COOLING WITH ELECTRIC CLEARANCE



DOWNFLOW-PACKAGED COOLING WITH ELECTRIC ROOF OPENING CLEARANCE

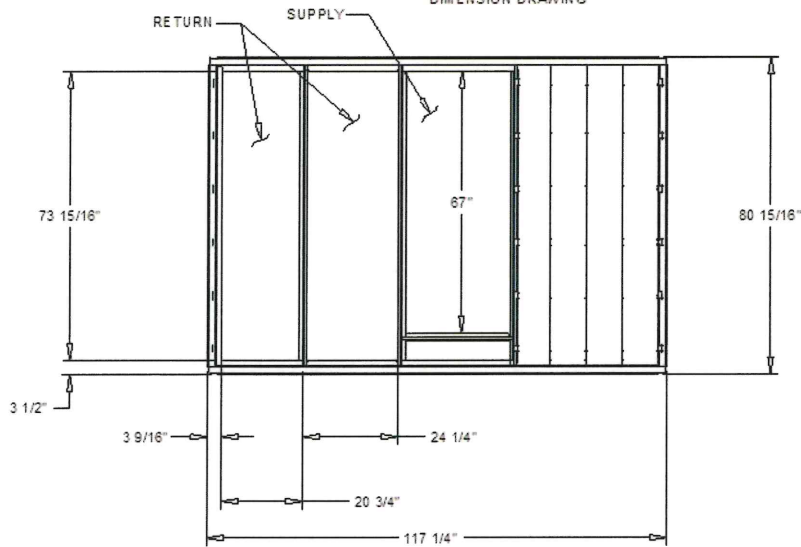




NOTES:  
1. VERIFY WEIGHT, CONNECTION, AND ALL DIMENSION WITH INSTALLER DOCUMENTS BEFORE INSTALLATION

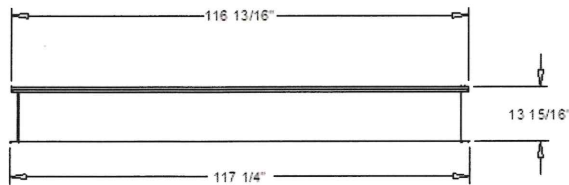
**PACKAGED COOLING ROOF CURB**

DIMENSION DRAWING



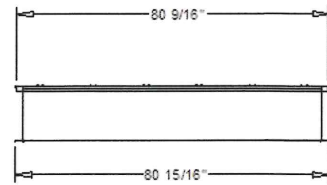
**PLAN VIEW OF UNIT**

DIMENSION DRAWING



**FRONT VIEW OF UNIT**

DIMENSION DRAWING



**RIGHT VIEW OF UNIT**

DIMENSION DRAWING



### **15 thru 25 Ton General**

The units shall be dedicated downflow or horizontal airflow. The operating range shall be between 115°F and 40°F in cooling as standard from the factory for all units. Cooling performance shall be rated in accordance with ARI testing procedures. All units shall be factory assembled, internally wired, fully charged with R-410A, and 100 percent run tested to check cooling operation, fan and blower rotation and control sequence, before leaving the factory. Wiring internal to the unit shall be colored and numbered for simplified identification. Units shall be UL listed and labeled, classified in accordance to UL 1995/C 22.2, 236-05 3rd Edition.

### **15 thru 25 Ton Casing**

Unit casing shall be constructed of zinc coated, heavy gauge, galvanized steel. Exterior surfaces shall be cleaned, phosphatized, and finished with a weather-resistant baked enamel finish. Unit's surface shall be tested 672 hours in a salt spray test in compliance with ASTM B117. Cabinet construction shall allow for all maintenance on one side of the unit. In order to ensure a water and air tight seal, service panels shall have lifting handles and no more than three screws to remove. All exposed vertical panels and top covers in the indoor air section shall be insulated with a 1/2", 1.0 lbdensity foil-faced, fire-resistant, permanent, odorless, glass fiber material. The base of the downflow unit shall be insulated with 1/2", 1.0 lbdensity foil-faced, closed-cell material. The downflow unit base pan shall have no penetrations within the perimeter of the curb other than the raised 1 1/8"high supply/return openings to provide an added water integrity precaution, if the condensate drain backs up. The base of the unit shall have provisions for forklift and crane lifting.

### **15 thru 25 Ton Compressors**

All units shall have direct-drive, hermetic, scroll type compressors with centrifugal type oil pumps. Motor shall be suction gas-cooled and shall have a voltage utilization range of plus or minus 10 percent of nameplate voltage. Internal overloads shall be provided with the scroll compressors. All models shall have phase monitors and low and high pressure control as standard.

### **15 thru 25 Ton Controls**

Unit shall be completely factory wired with necessary controls and contactor pressure lugs or terminal block for power wiring. Unit shall provide an external location for mounting a fused disconnect device.

### **15 thru 25 Ton Discharge Line Thermostat**

A bi-metal element discharge line thermostat is installed as a standard option on the discharge line of each system. This standard option provides extra protection to the compressors against high discharge temperatures in case of loss of charge, extremely high ambient and other conditions which could drive the discharge temperature higher. Discharge line thermostat is wired in series with high pressure control. When the discharge temperature rises above the protection limit, the bi-metal disc in the thermostat switches to the off position, opening the 24 Vac circuit. When the temperature on the discharge line cools down, the bi-metal disc closes the contactor circuit, providing power to the compressor.

### **15 thru 25 Ton Evaporator and Condenser Coils**

Microchannel coils will be burst tested by the manufacturer. Internally finned, 5/16" copper tubes mechanically bonded to a configured aluminum plate fin shall be standard for evaporator coils. Microchannel condenser coils shall be standard on all units. Coils shall be leak tested to ensure the pressure integrity. The evaporator coil and condenser coil shall be leak tested to 225 psig and pressure tested to 450 psig. Sloped condensate drain pans are standard.

### **15 thru 25 Ton Filters**

2" standard filters shall be factory supplied on all units.

### **15 thru 25 Ton High Pressure Control**

All units include High Pressure Cutout as standard.



### **15 thru 25 Ton Indoor Fan**

Units above shall have belt driven, FC centrifugal fans with adjustable motor sheaves. Units with standard motors shall have an adjustable idler-arm assembly for quick-adjustment of fan belts and motor sheaves. All motors shall be thermally protected. Oversized motors shall be available for high static application. All indoor fan motors meet the U.S. Energy Policy Act of 1992 (EPACT).

### **15 thru 25 Ton Low Pressure Control**

All units include Low Pressure Cutout as standard.

### **15 thru 25 Ton Outdoor Fans**

The outdoor fan shall be direct-drive, statically and dynamically balanced, draw-through in the vertical discharge position. The fan motor(s) shall be permanently lubricated and shall have builtin thermal overload protection.

### **15 thru 25 Ton Phase Monitor**

The Phase Monitor is a three-phase line monitor module that protects against phase loss, phase reversal and phase unbalance. It is intended to protect compressors from reverse rotation. It has an operating input voltage range of 190-600 Vac, and LED indicators for ON and FAULT. There are no field adjustments and the module will automatically reset from a fault condition.

### **15 thru 25 Ton Refrigerant Circuits**

Each refrigerant circuit shall have independent fixed orifice, service pressure ports, and refrigerant line filter driers factory installed as standard. An area shall be provided for replacement suction line driers.

### **15 thru 25 Ton Unit Top**

The top cover shall be double hemmed and gasket sealed to prevent water leakage.

### **15 thru 25 Ton Roof Curb-Downflow - Field Installed**

The roof curb shall be designed to mate with the downflow unit and provide support and a water tight installation when installed properly. The roof curb design shall allow field-fabricated rectangular supply/return ductwork to be connected directly to the curb. Curb shall be shipped knocked down for field assembly and shall include wood nailer strips.