



**REVIEW BY FORT BEND COUNTY
COMMISSIONERS COURT**

**Fort Bend County
Engineering Department**
301 Jackson Suite 401
Richmond, Texas 77469
281.633.7500
Permits@fortbendcountytx.gov

- Right of Way Permit**
- Commercial Driveway Permit**

Permit No: 2018-23863

Applicant: MCI Metro Access Transmission Services, Corp

Job Location Site: Canal Road , Richmond, TX 77406

Bond No. ██████████ **Date of Bond:** 5/1/2017 **Amount:** \$50,000.00

The above applicant came to make use of certain Fort Bend County property subject to, "The Order Regulating the Laying, Construction, Maintenance, and Repair of Buried Cables, Conduits, and Pole Lines, In, Under, Across or Along Roads, Streets, Highways, and Drainage Ditches in Fort Bend County, Texas, Under the Jurisdiction of the Commissioners Court of Fort Bend County, Texas," as passed by the Commissioners Court of Fort Bend County, Texas, of the Minutes of the Commissioners Court of Fort Bend County, Texas, to the extent that such order is not inconsistent with Chapter 181, Vernon's Texas Statutes and Codes Annotated.

Notes:

1. Evidence of review by the Commissioners Court must be kept on the job site and failure to do so constitutes grounds for job shutdown.
2. Written notices are required:
 - a. 48 hours in advance of construction start up, and
 - b. When construction is completed and ready for final inspection, submit notification to Permit Administrator thru MyGovernmentOnline.org portal.
3. This permit expires one (1) year from date of permit if construction has not commenced.
4. This permit applies to work performed within right-of-ways owned and maintained by Fort Bend County only, and it is the responsibility of the applicant to acquire all other necessary permits.

On this 6th day of November, 2018, Upon Motion of Commissioner _____, seconded by Commissioner _____, duly put and carried, it is ORDERED, ADJUDGED AND DECREED that said notice of said above purpose is hereby acknowledged by the Commissioners Court of Fort Bend County, Texas, and that said notice be placed on record according to the regulation order thereof.

Signature

By: 
County Engineer

Presented to Commissioners Court and approved.

Date Recorded _____ Comm. Court No. _____

Clerk of Commissioners Court

By: N/A
Drainage District Engineer/Manager

By: _____
Deputy



**PERMIT APPLICATION REVIEW FORM FOR
CABLE, CONDUIT, AND POLE LINE ACTIVITY
IN FORT BEND COUNTY**

**Fort Bend County
Engineering Department**
301 Jackson Suite 401
Richmond, Texas 77469
281.633.7500
Permits@fortbendcountytx.gov

- Right of Way Permit**
 Commercial Driveway Permit

Permit No: 2018-23863

The following "Notice of Proposed Cable, Conduit, and/or Pole Line activity in Fort Bend County" and accompanying attachments have been reviewed and the notice conforms to appropriate regulations set by Commissioner's Court of Fort Bend County, Texas.

(1) COMPLETE APPLICATION FORM:

- a. Name of road, street, and/or drainage ditch affected.
 b. Vicinity map showing course of directions
 c. Plans and specifications

(2) BOND:

- County Attorney, approval when applicable.
- Perpetual bond currently posted. Bond No: Amount: \$50,000.00
- Performance bond submitted. Bond No: Amount:
- Cashier's Check Check No: Amount:

(3) DRAINAGE DISTRICT APPROVAL (WHEN APPLICABLE):

Drainage District Approval

Date

We have reviewed this project and agree it meets minimum requirements.



Permit Administrator

10/29/2018

Date

MCImetro
ACCESS TRANSMISSION SERVICES CORPORATION

OUTSIDE PLANT CONSTRUCTION
FIBER OPTIC CABLE ROUTE

ECC FIBER BUILD: 1706ANBE.005
PECANGROVE TO OVEREASY (PART 3)
RICHMOND, TX

SITE CODE: HODATX

PROJECT STATUS: CONSTRUCTION

DATE: 10/02/18

LOCATION MAP
 RICHMOND, TX
 FORT BEND COUNTY



PROJECT: 1706ANBE.005
 RICHMOND, TX
 PECAN GROVE TO OVEREASY



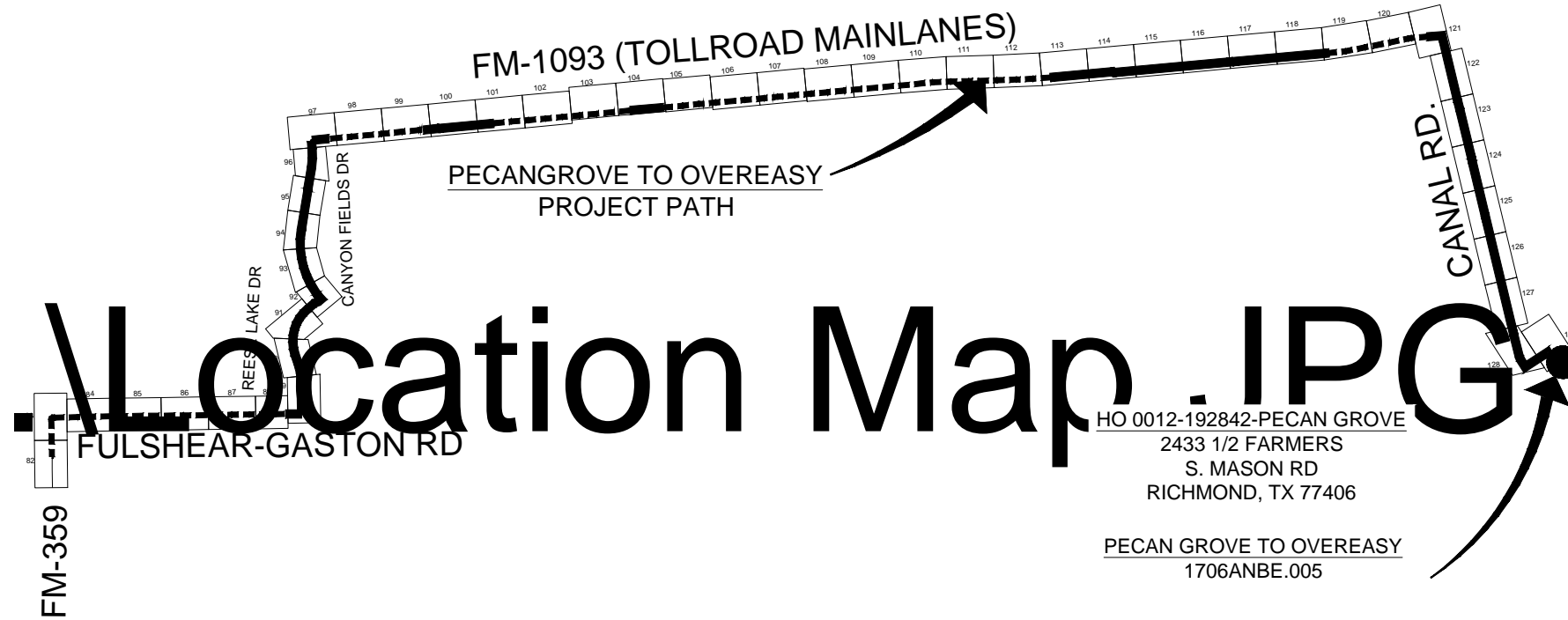
MCI metro
 ACCESS TRANSMISSION SERVICES
 CORPORATION
 OUTSIDE PLANT CONSTRUCTION
 TITLE: FIBER OPTIC ROUTE
 PECAN GROVE TO OVEREASY
 RICHMOND, TX

DATE: 10/02/18
 ENGINEER: L. STALCUP
 DRAWN BY: T.P.G. (KIB)

REVISIONS			
No.	DATE	DESCRIPTION	BY
1.	-	-	-

EXCEPT AS MAY BE OTHERWISE PROVIDED BY CONTRACT, THESE DRAWINGS AND SPECIFICATIONS SHALL REMAIN THE PROPERTY OF MCI COMMUNICATIONS SERVICES INC. BOTH BEING ISSUED IN STRICT CONFIDENCE AND SHALL NOT BE REPRODUCED, COPIED, OR USED FOR ANY PURPOSE WITHOUT SPECIFIC WRITTEN PERMISSION.

SCALE
 HORIZONTAL: 1" = 50'
 VERTICAL: 1" = N/A
 MP _____ TO MP _____
 SHEET 2 OF 129
 FILE: 1706ANBE.005 02 A



MAP LINE LEGEND

- PROPOSED BURIED CABLE
- PROPOSED AERIAL CABLE

CONTACT SHEET

MCI

PROJECT ENGINEER:
PROJECT MANAGER:
PROJECT COORDINATOR:

OUTSIDE PLANT CONSTRUCTION:

CONSTRUCTION CONTRACTOR: ERVIN CABLE CONSTRUCTION 844-322-2524
CONSTRUCTION MANAGER: AURELIO MALLAMANCE 270-349-0337

AGENT:
MANAGER:

COORDINATOR:
MANAGER:

PROGRAM MANAGER:
LIGHTWAVE ENGINEER:
CIVIL ENGINEER:
TERMINAL CONST. REP.:
SPlicing MANAGER:
TSO MANAGER:

ENGINEERING CONTRACTOR

RAILROADS

UNION PACIFIC RAILROAD DANIEL PETERS 402-544-8620

UTILITIES

MCI UTILITY LOCATE 1-800-624-9675

TEXAS ONE CALL SYSTEM (UTILITY LOCATES) 1-800-545-6005

NON MEMBERS:

CITY GOVERNMENT

COUNTY GOVERNMENT

STATE GOVERNMENT

TEXAS DEPARTMENT OF TRANSPORTATION
7600 WASHINGTON AVE.
HOUSTON TX, 77076
HOUSTON DISTRICT - PERMITS
PERMIT COORDINATOR:
TRICIA COLLETTE

OFFICE: (713) 802-5568
E-MAIL: TRICIA.COLLETTE@TXDOT.GOV

FEDERAL GOVERNMENT

N/A

OTHER

N/A

PROJECT: 1706ANBE.005

RICHMOND, TX

PEACAN GROVE TO OVER EASY



MCI metro
ACCESS TRANSMISSION SERVICES
CORPORATION

OUTSIDE PLANT CONSTRUCTION

TITLE: FIBER OPTIC ROUTE
PEACANGROVE TO OVEREASY
RICHMOND, TX

DATE: 10/02/18

ENGINEER: L. STALCUP

DRAWN BY: T.P.G. (KIB)

REVISIONS

No.	DATE	DESCRIPTION	BY
1.	-	-	-

EXCEPT AS MAY BE OTHERWISE PROVIDED BY CONTRACT, THESE DRAWINGS AND SPECIFICATIONS SHALL REMAIN THE PROPERTY OF MCI COMMUNICATIONS SERVICES INC. BOTH BEING ISSUED IN STRICT CONFIDENCE AND SHALL NOT BE REPRODUCED, COPIED, OR USED FOR ANY PURPOSE WITHOUT SPECIFIC WRITTEN PERMISSION.

SCALE

HORIZONTAL: 1" = 50'

VERTICAL: 1" = N/A

MP _____ TO MP _____

SHEET 3 OF 129

FILE: 1706ANBE.005 03 A

GENERAL NOTES / CLARIFICATION NOTES

GENERAL NOTES

1. VERIZON BUSINESS COMPRISES THE FOLLOWING OPERATING ENTITIES:
 - MCI COMMUNICATIONS SERVICES, INC.
 - MCI METRO COMMUNICATIONS SERVICES, INC.
 - MCI METRO ACCESS TRANSMISSION SERVICES OF VIRGINIA, INC.
 - MCI METRO ACCESS TRANSMISSION SERVICES OF MASSACHUSETTS, INC.
 - METROPOLITAN FIBER SYSTEMS OF NEW YORK, INC.
2. ALL WORK TO BE PERFORMED IN STRICT ACCORDANCE WITH THE APPLICABLE CODES OR REQUIREMENTS OF ANY REGULATING GOVERNMENTAL AGENCY, VERIZON BUSINESS AND THE RIGHT-OF-WAY GRANTOR.
3. LOCATIONS OF SOME OF THE PHYSICAL FEATURES WERE OBTAINED FROM DATED RAILROAD EVALUATION MAPS OR OTHER DRAWINGS AND MAY NOT BE AS SHOWN OR DEPICTED ON THESE DRAWINGS.
4. UNDERGROUND UTILITIES HAVE BEEN PLOTTED FROM AVAILABLE RECORDS AND FIELD OBSERVATIONS BUT ARE NOT NECESSARILY EXACT. THEREFORE, UTILITY LOCATIONS WILL BE VERIFIED AT LEAST 100 FEET IN ADVANCE OF TRENCHING OR PLOWING, SO THAT CHANGES IN CABLE PLACEMENT CAN BE MADE IN THE EVENT OF CONFLICT.
5. ALL KNOWN BURIED OBSTRUCTIONS ARE SHOWN ON THE CONSTRUCTION DRAWINGS. ANY AND ALL OTHERS ENCOUNTERED ARE ALSO THE RESPONSIBILITY OF THE CONTRACTOR TO LOCATE, PROTECT AND REPAIR IF DAMAGED.
6. ANY AND ALL IMPROVEMENTS, SUCH AS ASPHALT OR CONCRETE PAVEMENT, CURBS, GUTTERS, WALKS, DRAINAGE DITCHES, EMBANKMENTS, SHRUBS, TREES, GRASS SOD, ETC., IF DAMAGED, SHALL BE RESTORED TO ORIGINAL CONDITION.
7. EQUIPMENT TYPES SPECIFIED HEREIN (IE: "BACKHOE", SWAMP PLOW" ETC.) ARE SUGGESTIONS ONLY AND ARE NOT INTENDED AS REQUIREMENTS. CONTRACTOR WILL BE NOTIFIED AS TO EXPECTATIONS.
8. SHORING OF BORE PITS AND TRENCHES IN ACCORDANCE WITH OSHA REGULATIONS IS MANDATORY.
9. BURIED CABLE MARKERS WILL BE PLACED AT ALL UNDERGROUND UTILITY LOCATIONS AND ALL OTHER LOCATIONS IN ACCORDANCE WITH THE CONSTRUCTION DRAWINGS AND THE OUTSIDE PLANT HANDBOOK.
10. ALL 4" ID CONDUIT WILL BE SCHEDULE 40 (EG.: PVC OR GSP/BSP), OR AS SPECIFIED.
11. UNDERGROUND CONDUIT WILL BE PLACED AT 48" MINIMUM COVER UNLESS OTHERWISE SPECIFIED ON THE CONSTRUCTION DRAWINGS.

CLARIFICATION NOTES

- | | |
|----|--|
| 1. | STATION |
| 2. | LOCATION |
| 3. | CLARIFICATION NO. AND MINIMUM COVER |
| 4. | QUANTITY LINEAR FOOTAGE/SQUARE FOOTAGE, SIZE OF MANHOLE/HANDHOLE SIZE OF PULL/SPLICE BOX, DIMENSION OF WALL, HEIGHT/CLASS/TYPE OF POLE |
| 5. | TYPICAL DRAWING NO. AND TYPICAL DETAIL DRAWING NUMBER |
| 6. | PLANT ACCOUNTING CODE |
| 7. | SPECIFIED CONDUIT, HANDHOLE/MANHOLE NO., SPECIFIED PURPOSE AND MATERIAL, BRIDGE NO. AND RAILROAD STATION, MATERIAL, POLE NO. |

ADDENDUM NOTES

CLARIFICATION NOTES (CONTINUED)

- | | | |
|-----|-----|---|
| 100 | 110 | JACK AND DRY BORE CONDUIT(S) |
| 200 | 210 | PLACE CONDUIT |
| | 212 | PLACE HIGH DENSITY POLYETHYLENE (HDPE) |
| | 213 | ROCK ADDER |
| | 214 | SLURRY BACKFILL ADDER |
| | 215 | EXPOSE CONDUIT |
| | 216 | EXPOSE CONDUIT AND RELOCATE |
| | 217 | EXPOSE CONDUIT AND REPLACE/SUBSTITUTE |
| | 218 | EXPOSE AND REMOVE CONDUIT |
| | 219 | EXPOSE AND REMOVE CONDUIT (ABANDONED) |
| | 220 | CONCRETE ENCASE |
| | 221 | REMOVE CONCRETE ENCASMENT |
| | 222 | REMOVE CONCRETE CAP |
| | 240 | PLACE HANDHOLE |
| | 244 | REMOVE EXISTING HANDHOLE |
| | 245 | RELOCATE HANHOLE |
| | 246 | REPLACE/SUBSTITUTE HANDHOLE |
| | 247 | EXCAVATE SPLICE PIT |
| | 250 | PLACE MANHOLE |
| | 252 | REMOVE EXISTING MANHOLE |
| | 255 | RELOCATE PRECAST MANHOLE |
| | 256 | REPLACE/SUBSTITUTE PRECAST MANHOLE |
| | 180 | CONSTRUCT WALL |
| | 270 | REMOVE AND RESTORE ASPHALT |
| | 280 | REMOVE AND RESTORE CONCRETE |
| | 281 | REMOVE AND RESTORE SIDEWALK |
| | 282 | REMOVE AND RESTORE CURBING |
| 300 | 310 | ATTACH CONDUIT TO WALL OR STRUCTURE |
| | 315 | DETACH CONDUIT FROM WALL OR STRUCTURE |
| | 320 | CORE BORE |
| | 330 | ATTACH PULL/SPLICE BOX TO WALL OR STRUCTURE |
| 400 | 410 | PULL CABLE |
| | 411 | PULL THROUGH DUCT (INNERDUCT) |
| | 415 | REMOVE CABLE FROM CONDUIT |
| | 420 | REPOSITION ACTIVE CABLE SLACK |
| 500 | 510 | DIRECT BURY CABLE |
| | 515 | EXPOSE DIRECT BURIED CABLE |
| | 516 | EXPOSE DIRECT BURIED CABLE AND RELOCATE |
| | 517 | REMOVE AND DISPOSE OF CABLE |
| | 520 | PLACE AERIAL CABLE |
| | 525 | RELOCATE AERIAL CABLE |
| | 518 | DELASH AERIAL CABLE |
| | 527 | RELASH AERIAL CABLE |
| | 528 | REMOVE AERIAL CABLE |
| | 530 | PLACE POLE/PUSH BRACE |
| | 535 | REMOVE POLE/PUSH BRACE |
| 600 | 610 | JETTING CONDUIT |
| | 620 | EMBEDMENT PLOW |
| | 630 | DIRECTIONAL BORE |
| 700 | 710 | PLACE BURIED CABLE MARKERS AND SIGNS/MWCOM WATER CROSSING SIGNS |
| | 711 | PLACE ISOLATOR/PROTECTION SYSTEM AT EXISTING HANDHOLES/MANHOLES |
| | 713 | REMOVE BURIED CABLE MARKER POST/HARDWARE |
| | 712 | REMOVE BURIED CABLE MARKER POST/HARDWARE |
| | 714 | REMOVE CONCRETE BURIED CABLE MARKER POST |

PROJECT: 1706ANBE.005
 RICHMOND, TX
 PEACAN GROVE TO OVER EASY



MCI metro
 ACCESS TRANSMISSION SERVICES
 CORPORATION
 OUTSIDE PLANT CONSTRUCTION
 TITLE: FIBER OPTIC ROUTE
 PEACANGROVE TO OVEREASY
 RICHMOND, TX

DATE: 10/02/18
 ENGINEER: L. STALCUP
 DRAWN BY: T.P.G. (KIB)

REVISIONS			
No.	DATE	DESCRIPTION	BY
1.	-	-	-

EXCEPT AS MAY BE OTHERWISE PROVIDED BY CONTRACT, THESE DRAWINGS AND SPECIFICATIONS SHALL REMAIN THE PROPERTY OF MCI COMMUNICATIONS SERVICES INC. BOTH BEING ISSUED IN STRICT CONFIDENCE AND SHALL NOT BE REPRODUCED, COPIED, OR USED FOR ANY PURPOSE WITHOUT SPECIFIC WRITTEN PERMISSION.

SCALE

HORIZONTAL: 1" = 50'
 VERTICAL: 1" = N/A

MP _____ TO MP _____

SHEET 4 OF 129

FILE: 1706ANBE.005 04 A

SYMBOLS KEY

	EXISTING	PROPOSED
DIRECT BURIED CABLE		
AERIAL CABLE		
SUBMARINE CABLE		
FOGWIRE CABLE		
DIRECT BURIED HDPE		
PVC OR SPLIT PVC CONDUIT		
BSP/GSP OR SPLIT BSP/GSP CONDUIT		
STEEL CASING		
REMOVE AND RESTORE ASPHALT OR CONCRETE (WIDTH AS INDICATED)		
CORE BORE		
JACK AND BORE		
DIRECTIONAL BORE (& PLACE CONDUIT)		
FUTURE CABLE		
REMOVE CABLE		
TO BE REMOVED OR ABANDONED (SHOWN FOR HDPE)		
AERIAL UTILITY (ELECTRIC)		
UNDERGROUND UTILITY (TELEPHONE)		
MAIN TRACKS		
AUXILLARY TRACKS		
CENTERLINE		
RIGHT-OF-WAY		
EDGE OF ROADWAY (GENERIC)		
EDGE OF PAVEMENT		
BACK OF CURB		
DITCH LINE		
TAX, CITY, COUNTY, OR STATE BOUNDARY LINE		
PROPERTY LINE		
FENCE LINE		
GUARDRAIL		
TOP OF SLOPE		
TOE OF SLOPE		

STEEL MARKER AND SIGN-(A)
 ALUMINUM "HUB"-STYLE MARKER-(B)
 FLAT MARKER-(C)
 TUBULAR MARKER-(D)
 TUBULAR MARKER, & ISOLATOR PROTECTOR-(E)

MILE POST MARKER
 NOTE:
 DASHED = NOT FOUND IN FIELD

PERMIT TRACKING FORM IDENTIFIER

ROCK PROBE (DEPTH AS INDICATED)

UTILITY COVER DEPTH

HANDHOLE, MANHOLE OR PULLBOX

POLE

ANCHOR ONLY

GUY ONLY

OVERHEAD GUY (ARROW IN DIRECTION OF PULL)

ANCHOR AND GUY

SIDEWALK ANCHOR AND GUY

FOREIGN ANCHOR AND GUY

PUSH BRACE (EXISTING POLE)

ACCOUNT CODE CHANGE (BURIED TO AERIAL)

RISER ATTACHMENT LOCATION

BOND AND GROUND

CULVERT (SIZE AS INDICATED)

BRIDGE

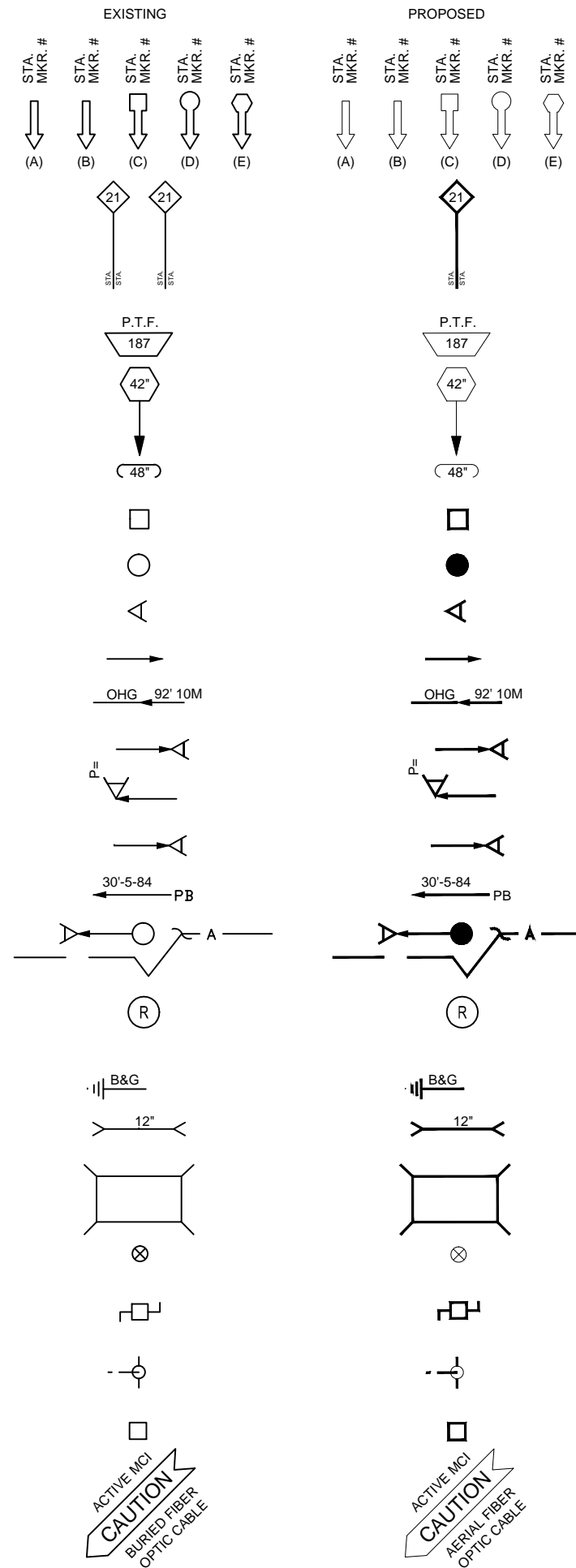
WATER METER

GAS VALVE

FIRE HYDRANT

RAILROAD SIGNAL CONTROL BOX

CAUTION NOTE



PROJECT: 1706ANBE.005
 RICHMOND, TX
 PEACAN GROVE TO OVER EASY



MCI metro
 ACCESS TRANSMISSION SERVICES
 CORPORATION
 OUTSIDE PLANT CONSTRUCTION
 TITLE: FIBER OPTIC ROUTE
 PEACANGROVE TO OVEREASY
 RICHMOND, TX

DATE: 10/02/18
 ENGINEER: L. STALCUP
 DRAWN BY: T.P.G. (KIB)

REVISIONS			
No.	DATE	DESCRIPTION	BY
1.	-	-	-

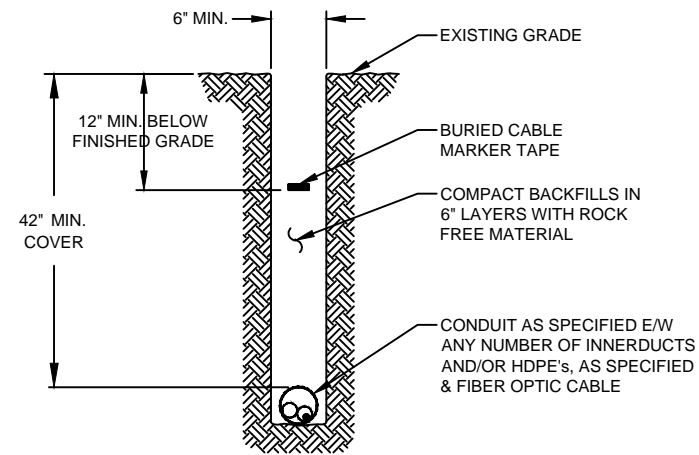
EXCEPT AS MAY BE OTHERWISE PROVIDED BY CONTRACT, THESE DRAWINGS AND SPECIFICATIONS SHALL REMAIN THE PROPERTY OF MCI COMMUNICATIONS SERVICES INC. BOTH BEING ISSUED IN STRICT CONFIDENCE AND SHALL NOT BE REPRODUCED, COPIED, OR USED FOR ANY PURPOSE WITHOUT SPECIFIC WRITTEN PERMISSION.

SCALE
 HORIZONTAL: 1"= 50'
 VERTICAL: 1"= N/A
 MP _____ TO MP _____
 SHEET 6 OF 129
 FILE: 1706ANBE.005 06 A

CONSTRUCTION DETAILS

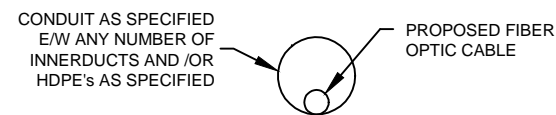
TYPICAL DETAIL "A"

TRENCH & PLACE CONDUIT



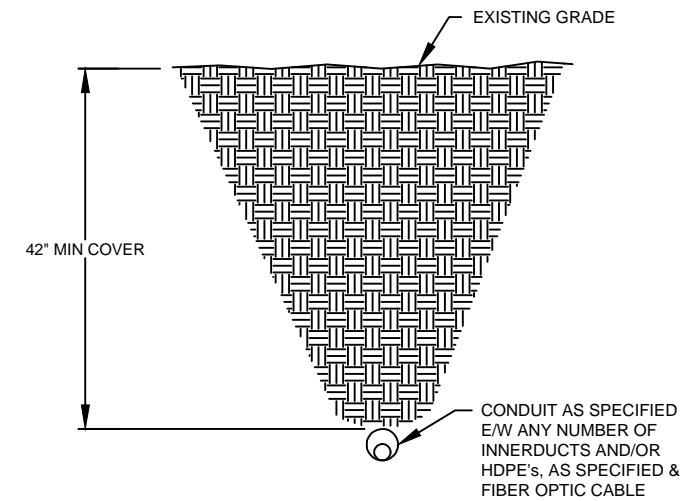
TYPICAL DETAIL "B"

CROSS SECTION OF PROPOSED HDPE



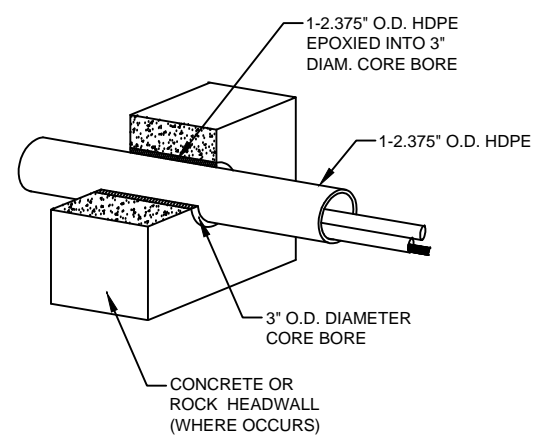
TYPICAL DETAIL "C"

DIRECTIONAL BORE CROSS SECTION FOR CONDUIT



TYPICAL DETAIL "D"

3" CORE BORE



NOTE:

EPOXY GROUT IS USED AT BOTH ENDS OF CORE BORE TO SEAL GAP BETWEEN 2.375" CONDUIT AND PVC SLEEVE.

PROJECT: 1706ANBE.005
 RICHMOND, TX
 PEACAN GROVE TO OVER EASY



MCImetro
 ACCESS TRANSMISSION SERVICES CORPORATION
 OUTSIDE PLANT CONSTRUCTION
 TITLE: FIBER OPTIC ROUTE
 PEACANGROVE TO OVEREASY
 RICHMOND, TX

DATE: 10/02/18
 ENGINEER: L. STALCUP
 DRAWN BY: T.P.G. (KIB)

REVISIONS			
No.	DATE	DESCRIPTION	BY
1.	-	-	-

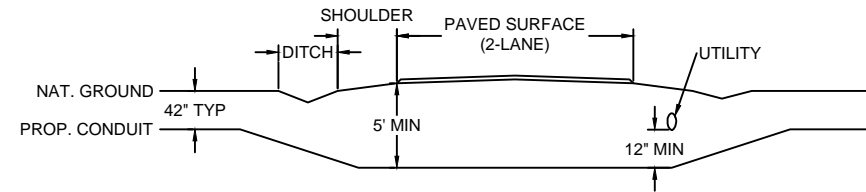
EXCEPT AS MAY BE OTHERWISE PROVIDED BY CONTRACT, THESE DRAWINGS AND SPECIFICATIONS SHALL REMAIN THE PROPERTY OF MCI COMMUNICATIONS SERVICES INC. BOTH BEING ISSUED IN STRICT CONFIDENCE AND SHALL NOT BE REPRODUCED, COPIED, OR USED FOR ANY PURPOSE WITHOUT SPECIFIC WRITTEN PERMISSION.

SCALE
 HORIZONTAL: 1" = 50'
 VERTICAL: 1" = N/A
 MP _____ TO MP _____
 SHEET 7 OF 129
 FILE: 1706ANBE.005 07 A

TYPICAL CROSSING PROFILE DETAILS: UNDERGROUND

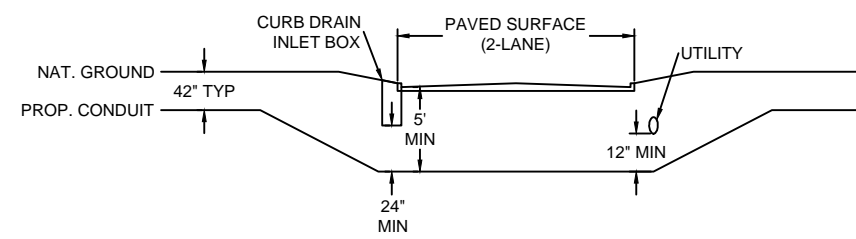
TYPICAL DETAIL "A"

TWO LANE - ASPHALT ROAD - NO CURB



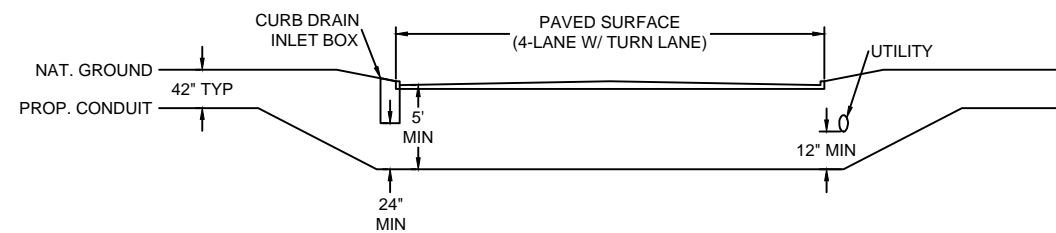
TYPICAL DETAIL "B"

TWO LANE - CURBED ROAD



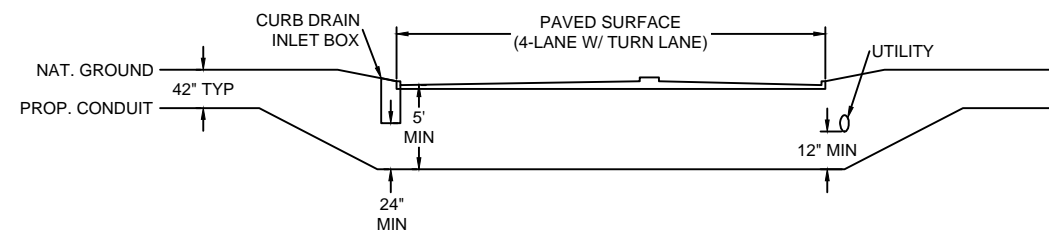
TYPICAL DETAIL "C"

FOUR LANE (W/ TURN LANE) - CURBED ROAD - NO MEDIAN



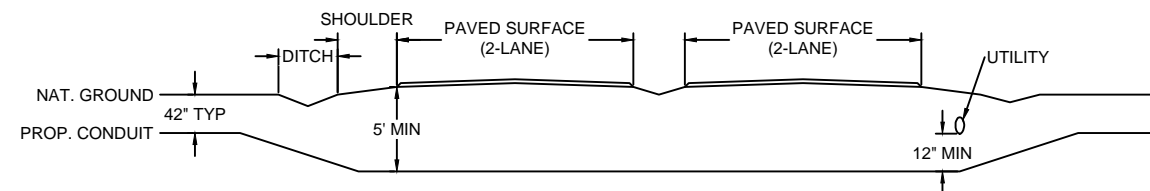
TYPICAL DETAIL "D"

FOUR LANE (W/ TURN LANE) - CURBED ROAD - WITH MEDIAN



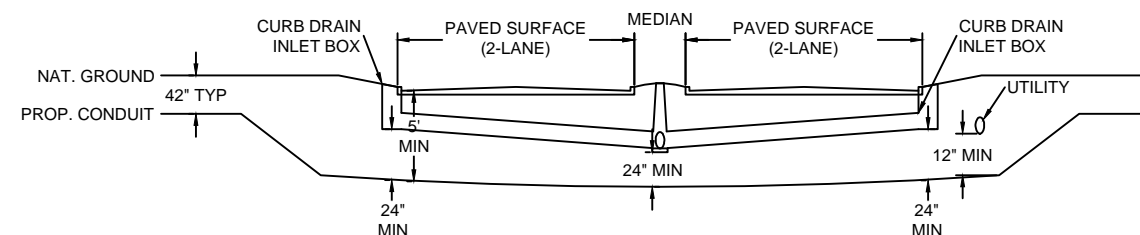
TYPICAL DETAIL "E"

4 LANE - SPLIT ASPHALT ROAD - NO CURB



TYPICAL DETAIL "F"

4 LANE - SPLIT CURBED ROAD



PROJECT: 1706ANBE.005

RICHMOND, TX

PEACAN GROVE TO OVER EASY



MCI metro
ACCESS TRANSMISSION SERVICES
CORPORATION

OUTSIDE PLANT CONSTRUCTION
TITLE: FIBER OPTIC ROUTE
PEACAN GROVE TO OVER EASY
RICHMOND, TX

DATE: 10/02/18

ENGINEER: L. STALCUP

DRAWN BY: T.P.G. (KIB)

REVISIONS

No.	DATE	DESCRIPTION	BY
1.	-	-	-

EXCEPT AS MAY BE OTHERWISE PROVIDED BY CONTRACT, THESE DRAWINGS AND SPECIFICATIONS SHALL REMAIN THE PROPERTY OF MCI COMMUNICATIONS SERVICES INC. BOTH BEING ISSUED IN STRICT CONFIDENCE AND SHALL NOT BE REPRODUCED, COPIED, OR USED FOR ANY PURPOSE WITHOUT SPECIFIC WRITTEN PERMISSION.

SCALE

HORIZONTAL: 1" = 50'

VERTICAL: 1" = N/A

MP _____ TO MP _____

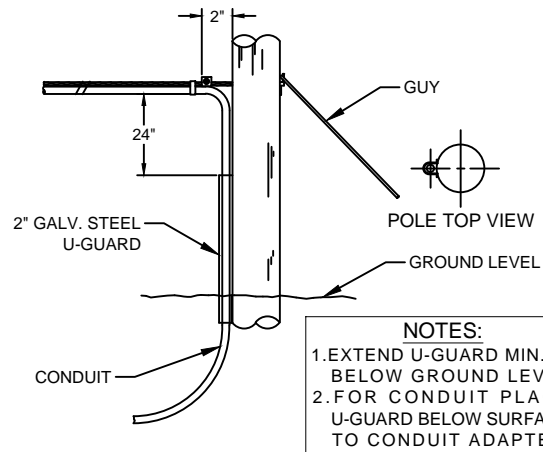
SHEET 7A OF 129

FILE: 1706ANBE.005 07AA

GENERAL AERIAL CONSTRUCTION DETAILS

TYPICAL DETAIL "A"

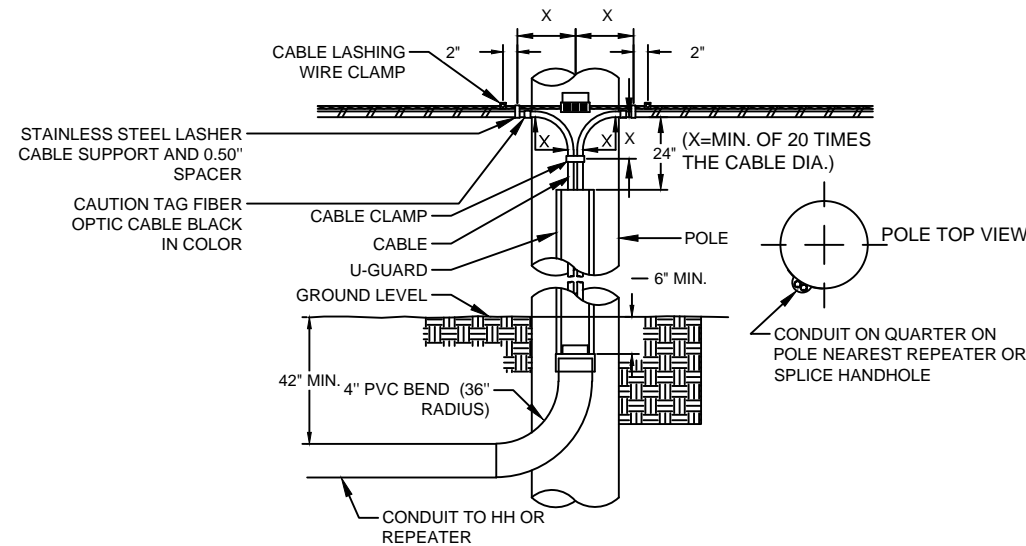
POLE ARRANGEMENT FOR AERIAL TO BURIED



NOTES:
 1. EXTEND U-GUARD MIN. 6" BELOW GROUND LEVEL
 2. FOR CONDUIT PLACE U-GUARD BELOW SURFACE TO CONDUIT ADAPTER.

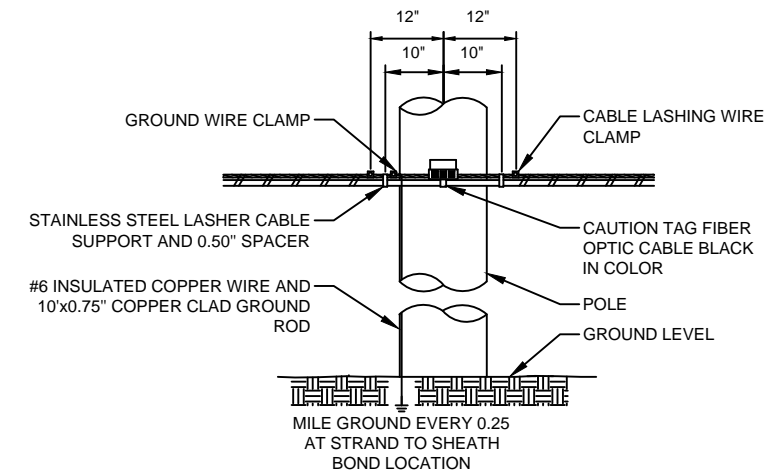
TYPICAL DETAIL "B"

POLE ARRANGEMENT FOR REPEATER OR HANDHOLE LOCATION



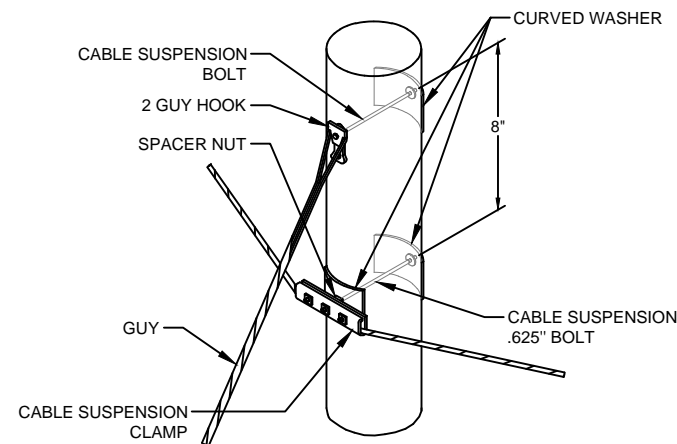
TYPICAL DETAIL "C"

TYPICAL CABLE & HARDWARE INSTALLATION



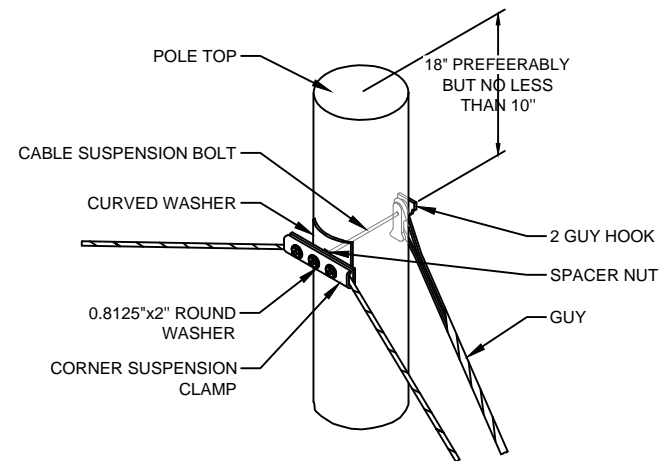
TYPICAL DETAIL "D"

SUSPENSION STRAND - PULL TOWARD POLE - LESS THAN 5 FEET



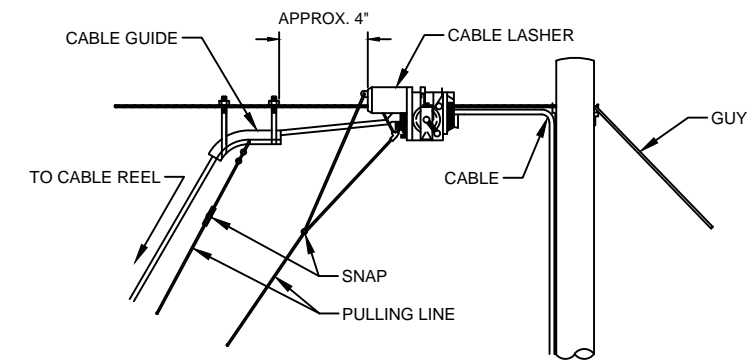
TYPICAL DETAIL "E"

SUSPENSION STRAND - PULL AWAY FROM POLE - 5 FEET OR MORE



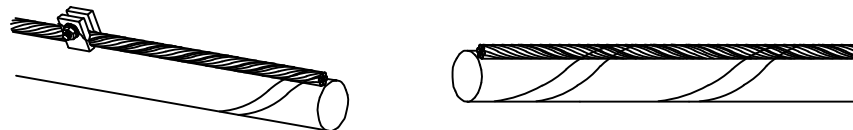
TYPICAL DETAIL "F"

TYPICAL ARRANGEMENT OF CABLE LASHER AND CABLE GUIDE



TYPICAL DETAIL "G"

JOINING 045 LASHING WIRE



FORMING WIRE OVER STUD OF CLAMP

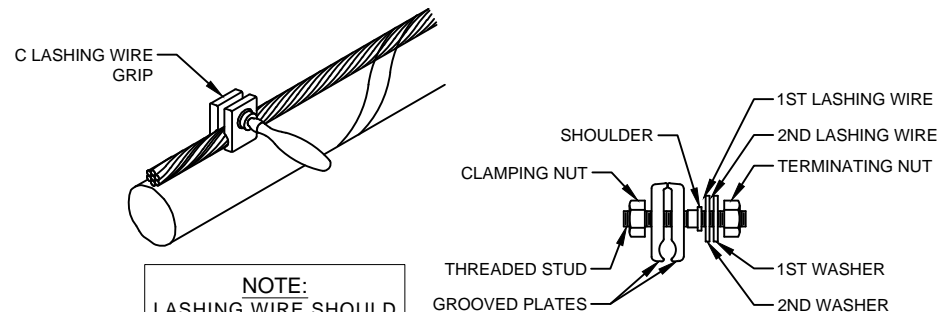
REMOVE ANY SLACK IN THE LASHING WIRE BY MAINTAINING A PULL ON THE WIRE AND TAPPING THE STRAND SHARPLY. THEN FORM THE WIRE OVER THE STUD AND TIGHTEN THE NUT. CUT THE FREE END OF THE LASHING WIRE OFF 0.75" BEYOND THE END OF THE CLAMP.

FORMING LASHING WIRE AROUND STRAND

FORM THE LASHING WIRE AROUND THE STRAND AND PLACE IT BELOW THE STUD AND BETWEEN THE SECOND WASHER AND STUD SHOULDER.

TYPICAL DETAIL "H"

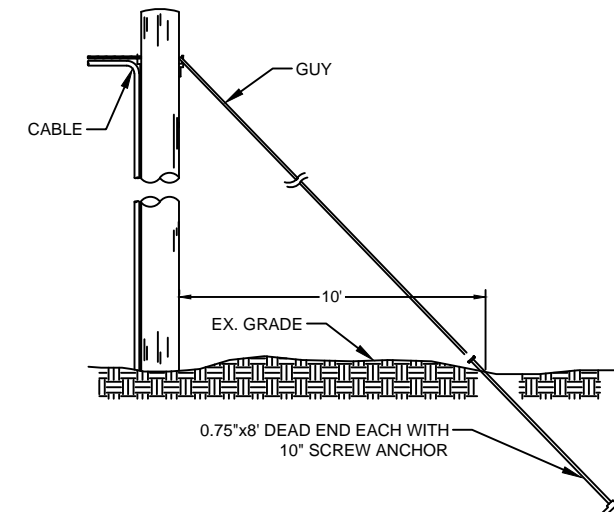
LASHING WIRE GRIP AND CLAMP



NOTE:
 LASHING WIRE SHOULD FOLLOW LAY OF STRAND WIRES UNDER GRIP.

TYPICAL DETAIL "I"

ANCHOR & DOWN GUY



PROJECT: 1706ANBE.005
 RICHMOND, TX
 PEACAN GROVE TO OVER EASY



MCI metro
 ACCESS TRANSMISSION SERVICES CORPORATION
 OUTSIDE PLANT CONSTRUCTION
 TITLE: FIBER OPTIC ROUTE
 PEACANGROVE TO OVEREASY
 RICHMOND, TX

DATE: 10/02/18
 ENGINEER: L. STALCUP
 DRAWN BY: T.P.G. (KIB)

REVISIONS			
No.	DATE	DESCRIPTION	BY
1.	-	-	-

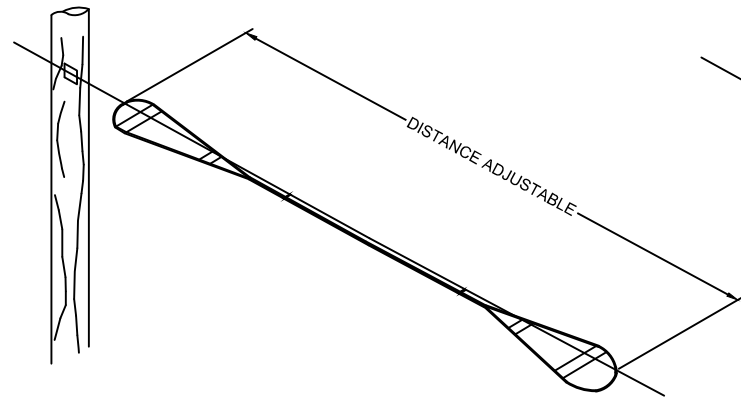
EXCEPT AS MAY BE OTHERWISE PROVIDED BY CONTRACT, THESE DRAWINGS AND SPECIFICATIONS SHALL REMAIN THE PROPERTY OF MCI COMMUNICATIONS SERVICES INC. BOTH BEING ISSUED IN STRICT CONFIDENCE AND SHALL NOT BE REPRODUCED, COPIED, OR USED FOR ANY PURPOSE WITHOUT SPECIFIC WRITTEN PERMISSION.

SCALE
 HORIZONTAL: 1" = 50'
 VERTICAL: 1" = N/A
 MP _____ TO MP _____
 SHEET 7B OF 129
 FILE: 1706ANBE.005 07BA

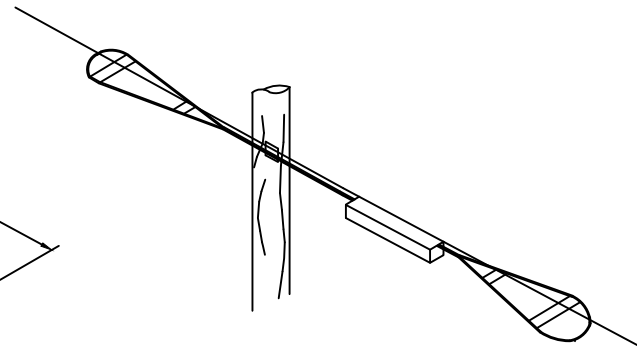
AERIAL IN-LINE SLACK STORAGE DETAILS

PROJECT: 1706ANBE.005
 RICHMOND, TX
 PEACAN GROVE TO OVER EASY

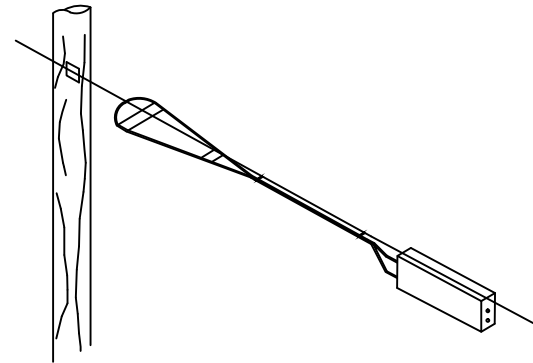
TYPICAL DETAIL "A"
 RESERVE CABLE LENGTH
 STRAND STORAGE APPLICATION



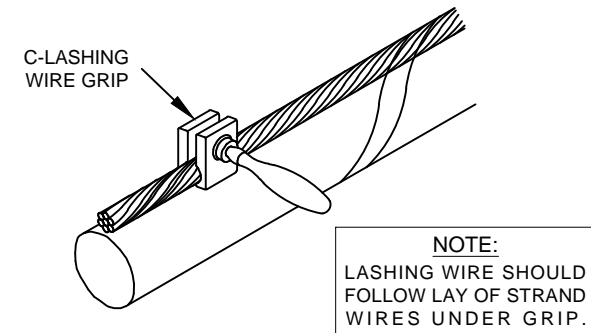
TYPICAL DETAIL "B"
 IN-LINE SPLICE APPLICATION



TYPICAL DETAIL "C"
 BUTT SPLICE APPLICATION



TYPICAL DETAIL "D"
 LASHING WIRE GRIP AND CLAMP C-LASHING
 WIRE GRIP INSTALLED ON STRAND



MCI metro
 ACCESS TRANSMISSION SERVICES
 CORPORATION
 OUTSIDE PLANT CONSTRUCTION
 TITLE: FIBER OPTIC ROUTE
 PEACAN GROVE TO OVEREASY
 RICHMOND, TX

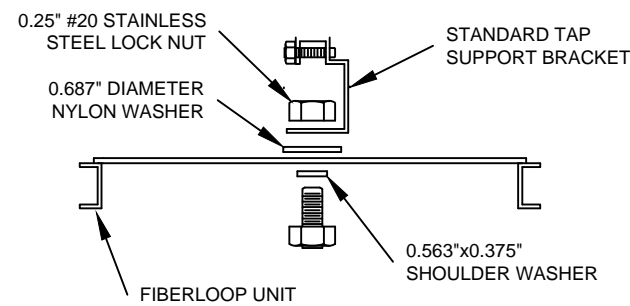
DATE: 10/02/18
 ENGINEER: L. STALCUP
 DRAWN BY: T.P.G. (KIB)

REVISIONS			
No.	DATE	DESCRIPTION	BY
1.	-	-	-

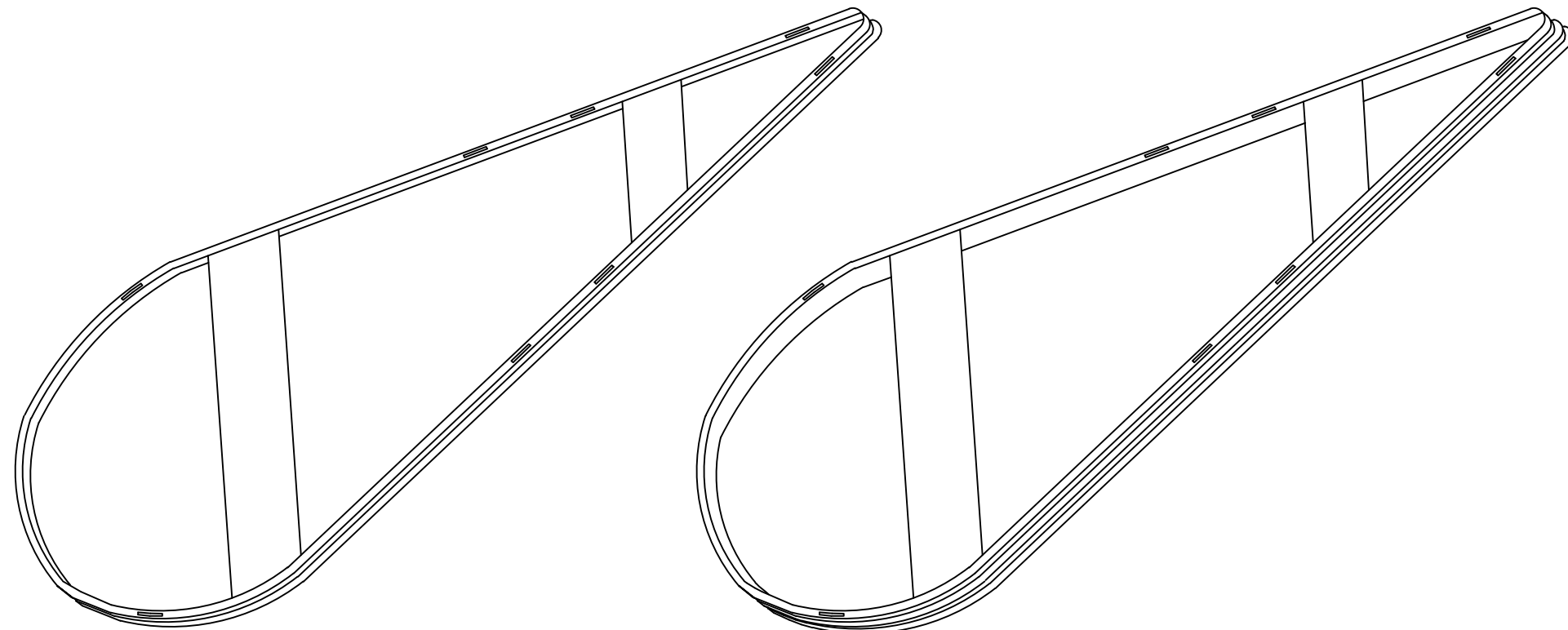
EXCEPT AS MAY BE OTHERWISE PROVIDED BY CONTRACT, THESE DRAWINGS AND SPECIFICATIONS SHALL REMAIN THE PROPERTY OF MCI COMMUNICATIONS SERVICES INC. BOTH BEING ISSUED IN STRICT CONFIDENCE AND SHALL NOT BE REPRODUCED, COPIED, OR USED FOR ANY PURPOSE WITHOUT SPECIFIC WRITTEN PERMISSION.

SCALE
 HORIZONTAL: 1" = 50'
 VERTICAL: 1" = N/A
 MP _____ TO MP _____
 SHEET 7C OF 129
 FILE: 1706ANBE.005 07CA

TYPICAL DETAIL "E"
 HARDWARE KIT



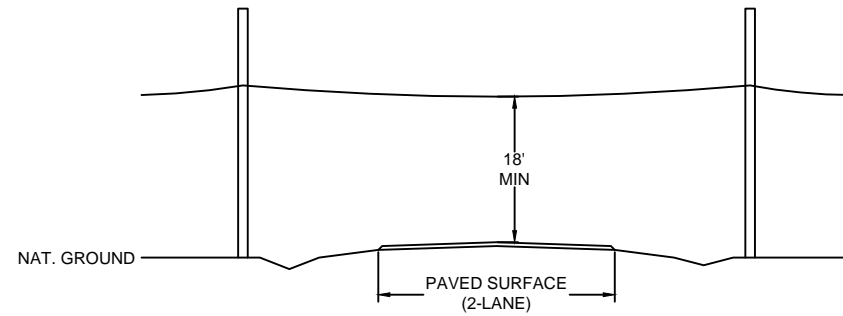
TYPICAL DETAIL "F"
 SINGLE & DOUBLE FIBER LOOPS



TYPICAL CROSSING PROFILE DETAILS: AERIAL

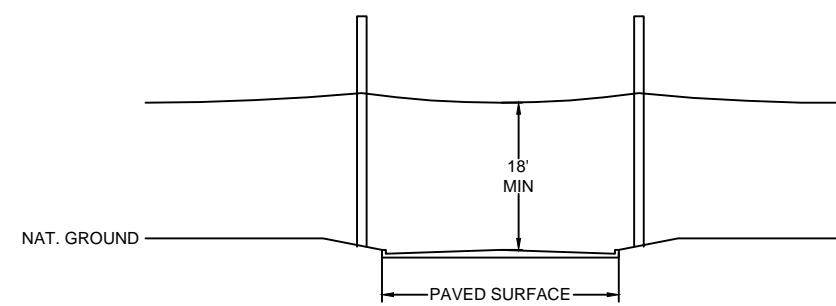
TYPICAL DETAIL "A"

TWO LANE - ASPHALT ROAD - NO CURB



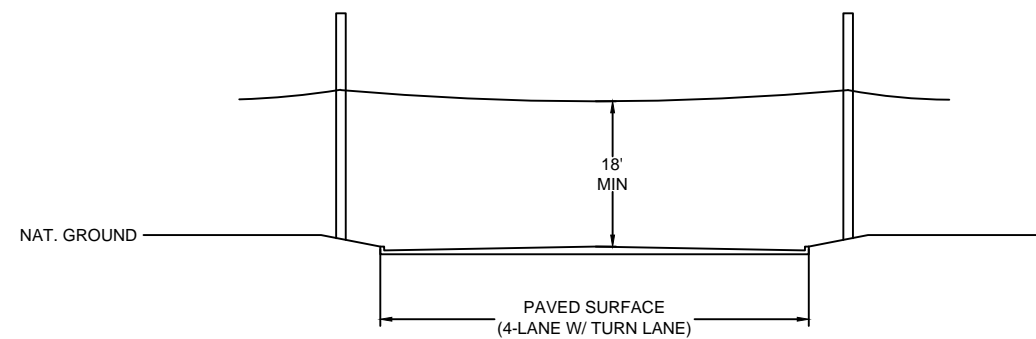
TYPICAL DETAIL "B"

TWO LANE - CURBED ROAD



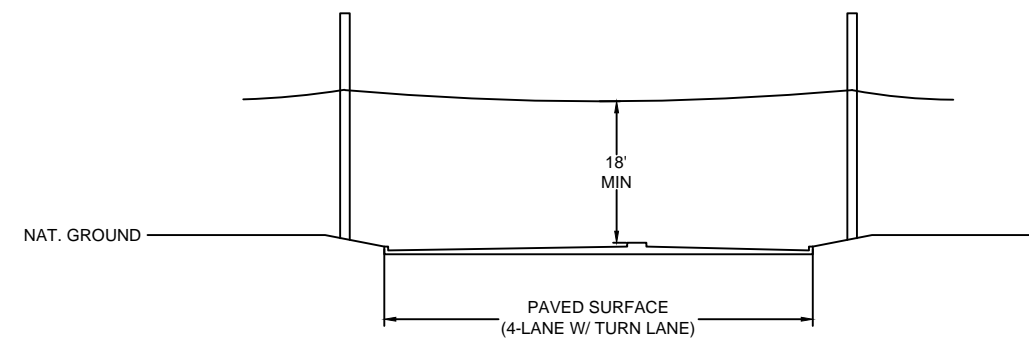
TYPICAL DETAIL "C"

FOUR LANE (W/ TURN LANE) - CURBED ROAD - NO MEDIAN



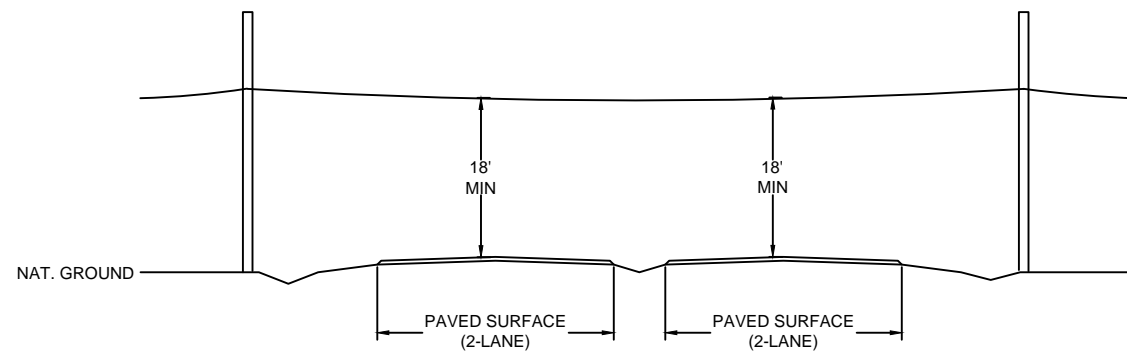
TYPICAL DETAIL "D"

FOUR LANE (W/ TURN LANE) - CURBED ROAD - WITH MEDIAN



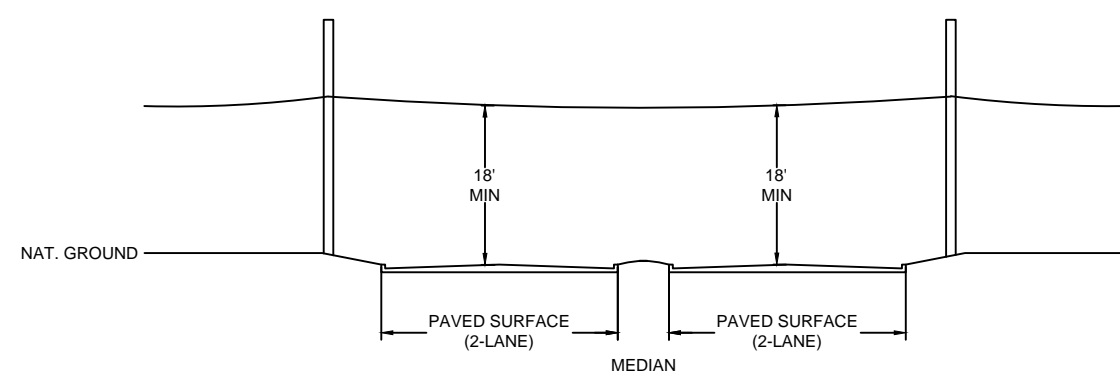
TYPICAL DETAIL "E"

4 LANE - SPLIT ASPHALT ROAD - NO CURB



TYPICAL DETAIL "F"

4 LANE - SPLIT CURBED ROAD



PROJECT: 1706ANBE.005

RICHMOND, TX

PEACAN GROVE TO OVER EASY



MCImetro
ACCESS TRANSMISSION SERVICES
CORPORATION

OUTSIDE PLANT CONSTRUCTION

TITLE: FIBER OPTIC ROUTE
PEACANGROVE TO OVEREASY
RICHMOND, TX

DATE: 10/02/18

ENGINEER: L. STALCUP

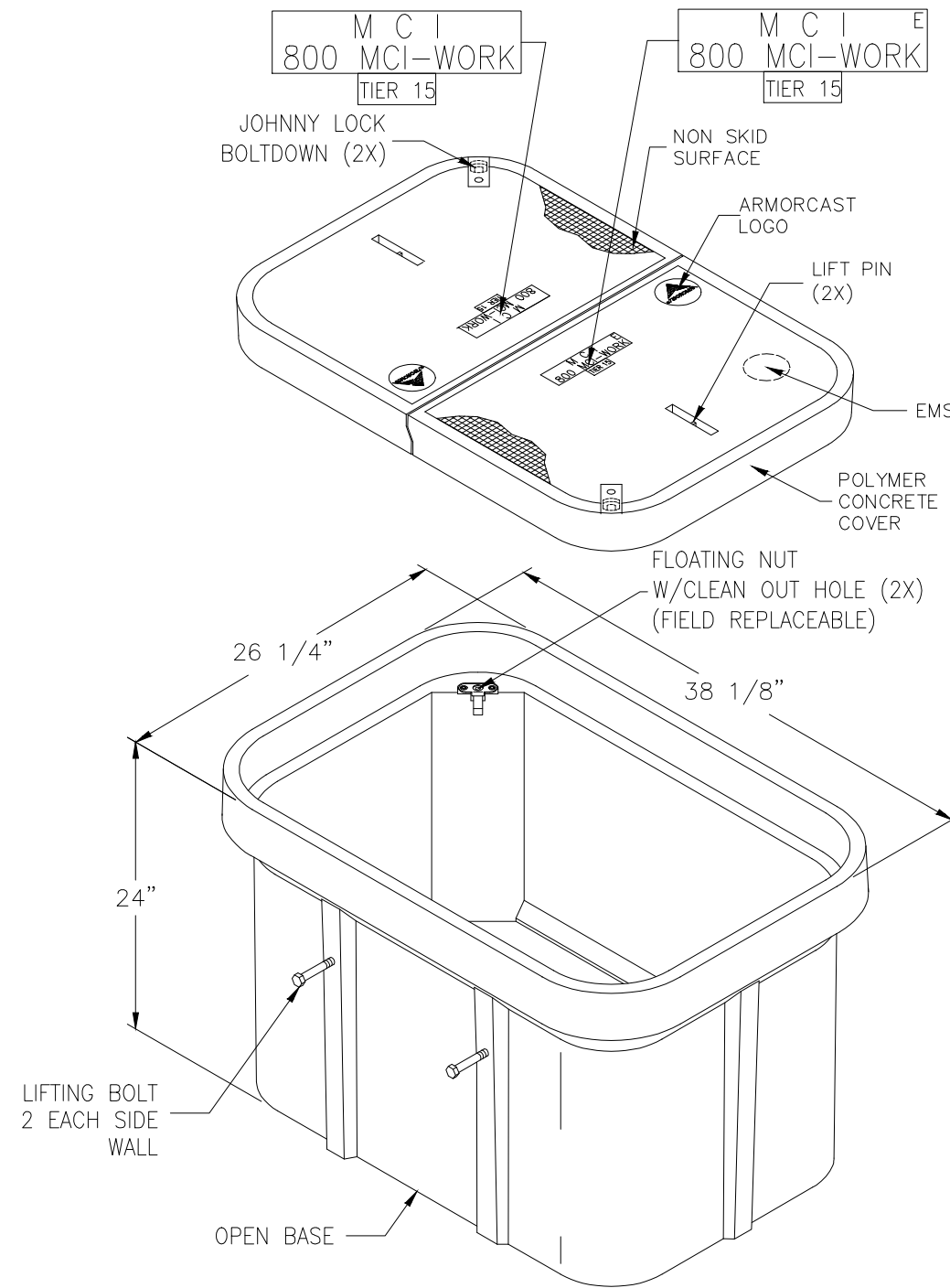
DRAWN BY: T.P.G. (KIB)

REVISIONS			
No.	DATE	DESCRIPTION	BY
1.	-	-	-


EXCEPT AS MAY BE OTHERWISE PROVIDED BY CONTRACT, THESE DRAWINGS AND SPECIFICATIONS SHALL REMAIN THE PROPERTY OF MCI COMMUNICATIONS SERVICES INC. BOTH BEING ISSUED IN STRICT CONFIDENCE AND SHALL NOT BE REPRODUCED, COPIED, OR USED FOR ANY PURPOSE WITHOUT SPECIFIC WRITTEN PERMISSION.

SCALE
HORIZONTAL: 1" = 50'
VERTICAL: 1" = N/A
MP _____ TO MP _____
SHEET 7D OF 129
FILE: 1706ANBE.005 07DA

24" x 36" x 24" POLYMER CONCRETE BOX ASSEMBLY



NOTE:
BOX AND COVER ASSEMBLY MEET
ANSI/SCTE 77 TIER 15 LOADING

FILE # A6-1974TAPMC14	 ARMORCAST® PRODUCTS COMPANY 13230 Satcoy Street, North Hollywood, CA 91605 (818) 982-3600	PART DESCRIPTION 24" X 36" X 24" POLYMER CONCRETE BOX ASSEMBLY				
		CUSTOMER VERIZON				
		DRAWN OA	DATE 10/17	SCALE NONE	MAX. LOAD TIER 15	
		APPROV. WS	DATE 10/17	MATERIAL POLYMER CONCRETE	DRAWING NUMBER A6001974TAPMC14	
<small>*THE INFORMATION IN THIS DRAWING IS CONFIDENTIAL. THE DRAWING IS NOT TO BE REPRODUCED OR ITS CONTENTS DIVULGED IN ANY WAY WHATSOEVER EXCEPT WITH THE PRIOR WRITTEN APPROVAL OF ARMORCAST PRODUCTS COMPANY. IT IS THE PROPERTY OF AND MUST BE RETURNED TO ARMORCAST PRODUCTS COMPANY, 13230 SATICOY STREET, NORTH HOLLYWOOD, CALIFORNIA 91605.*</small>						

PROJECT: 1706ANBE.005
RICHMOND, TX
PEACAN GROVE TO OVER EASY



MCImetro
 ACCESS TRANSMISSION SERVICES
 CORPORATION
 OUTSIDE PLANT CONSTRUCTION
 TITLE: FIBER OPTIC ROUTE
 PEACANGROVE TO OVEREASY
 RICHMOND, TX

DATE: 10/02/18
ENGINEER: L. STALCUP
DRAWN BY: T.P.G. (KIB)

REVISIONS			
No.	DATE	DESCRIPTION	BY
1.	-	-	-

EXCEPT AS MAY BE OTHERWISE PROVIDED BY CONTRACT, THESE DRAWINGS AND SPECIFICATIONS SHALL REMAIN THE PROPERTY OF MCI COMMUNICATIONS SERVICES INC. BOTH BEING ISSUED IN STRICT CONFIDENCE AND SHALL NOT BE REPRODUCED, COPIED, OR USED FOR ANY PURPOSE WITHOUT SPECIFIC WRITTEN PERMISSION.

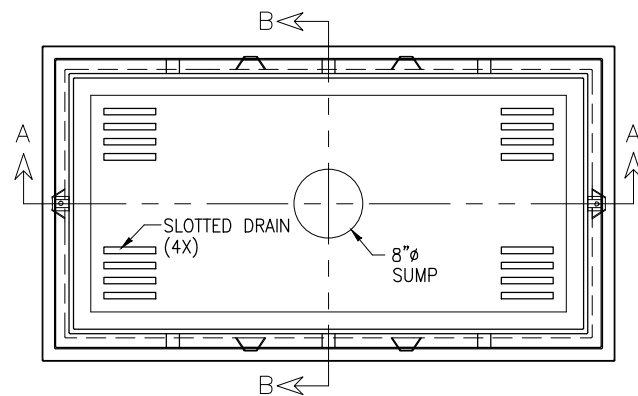
SCALE
HORIZONTAL: 1" = 50'
VERTICAL: 1" = N/A
MP _____ TO MP _____
SHEET 8 OF 129
FILE: 1706ANBE.005 08 A

30" x 60" x 30" 30K STANDARD HANDHOLE DETAILS

PROJECT: 1706ANBE.005
 RICHMOND, TX
 PEACAN GROVE TO OVER EASY

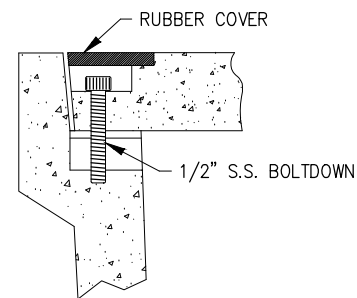
DETAIL "A"

LOCKING DEVICE
 CROSS SECTION



DETAIL "B"

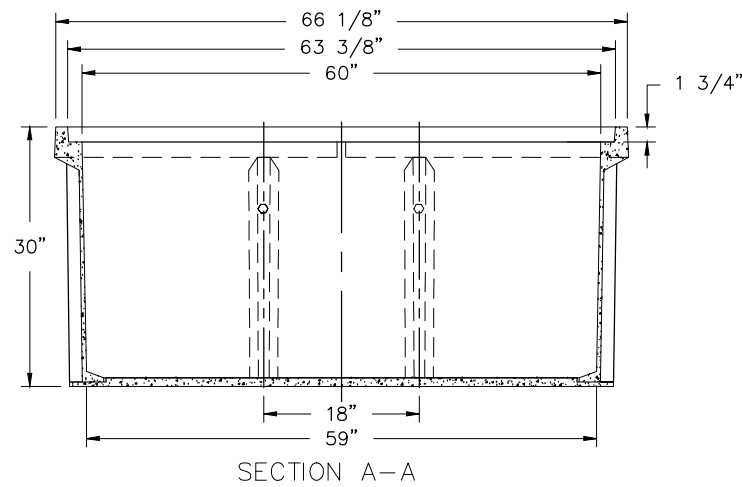
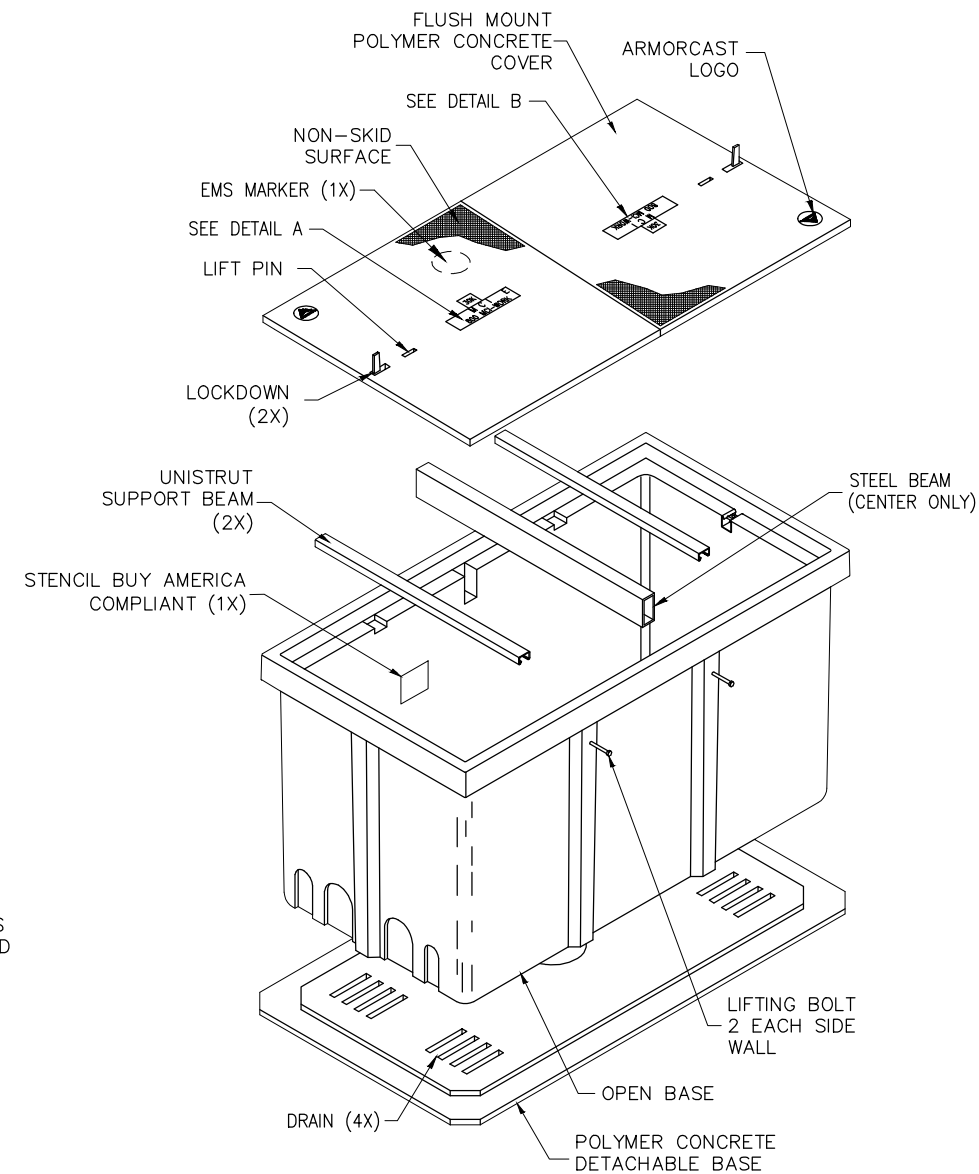
FLUSH MOUNT
 COVER DETAIL



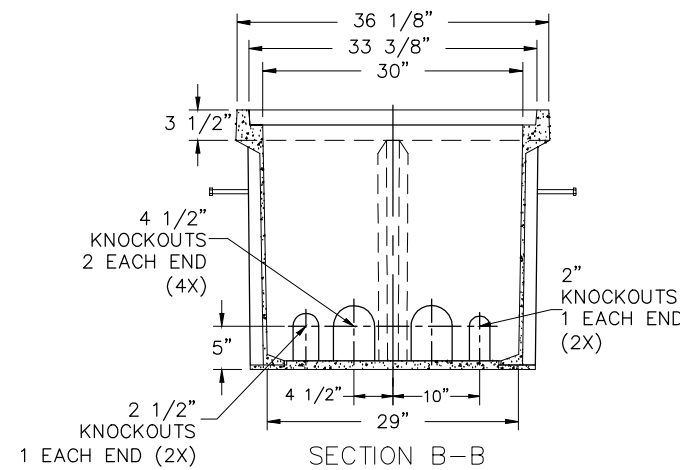
FLUSH MOUNT COVER DETAIL

DETAIL "C"

EXPLODED ISOMETRIC DETAIL



SECTION A-A



SECTION B-B

30K
 M C I E
 800 MCI-WORK
 DETAIL A

30K
 M C I E
 800 MCI-WORK
 DETAIL B

SEALED PLASTIC BAG PLACED INSIDE VAULT TO CONTAIN

- | ITEM | QTY | DESCRIPTION |
|------|-----|--|
| 1 | (1) | JOHNNY LOCK KEY |
| 2 | (2) | S.S. JOHNNY BOLTS W/FLAT WASHER. |
| 3 | | SHRINK WRAP COVERS TO FRAME FOR PACKAGING. |

30K STANDARD HANDHOLE
30"x60"x30" POLYMER CONCRETE FLUSH MOUNT ASSEMBLY
MEETS SCTE/ANSI 77-TIER 22 LOADING CRITERIA
ADDITIONAL REQUIREMENTS:
DESIGNED LOAD: 30,000 LBS
MINIMUM FAILURE LOAD: 45,000 LBS



MCI metro
 ACCESS TRANSMISSION SERVICES
 CORPORATION
 OUTSIDE PLANT CONSTRUCTION
 TITLE: FIBER OPTIC ROUTE
 PEACANGROVE TO OVEREASY
 RICHMOND, TX

DATE: 10/02/18
 ENGINEER: L. STALCUP
 DRAWN BY: T.P.G. (KIB)

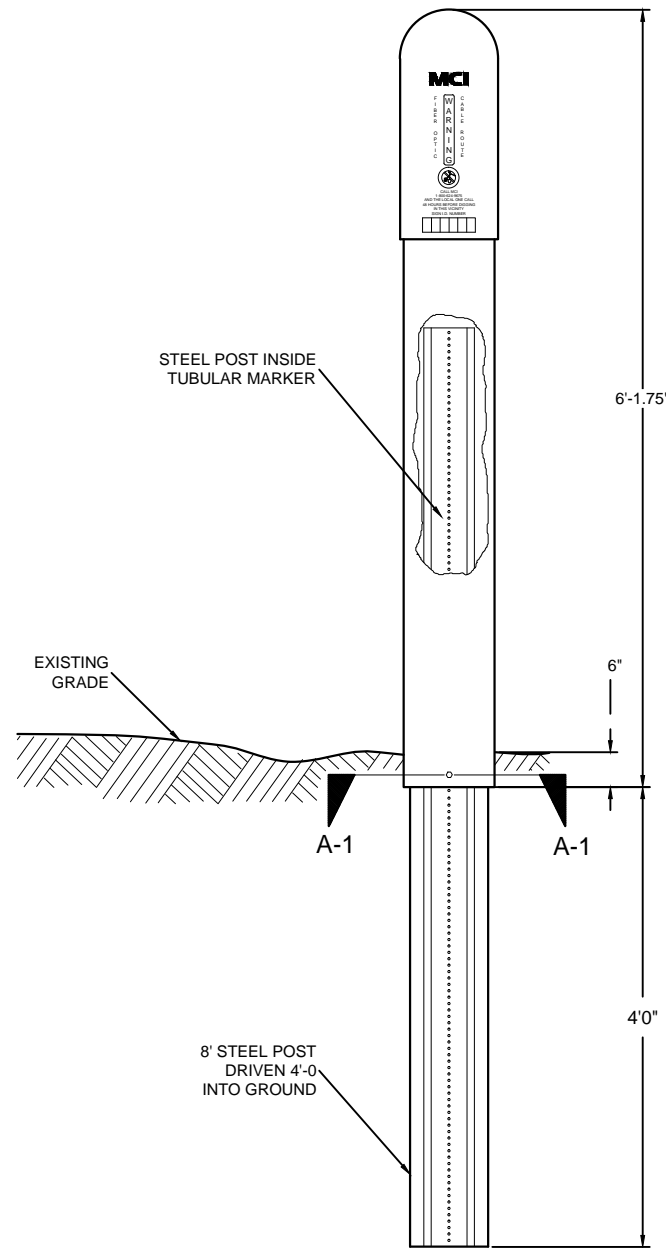
REVISIONS			
No.	DATE	DESCRIPTION	BY
1.	-	-	-

EXCEPT AS MAY BE OTHERWISE PROVIDED BY CONTRACT, THESE DRAWINGS AND SPECIFICATIONS SHALL REMAIN THE PROPERTY OF MCI COMMUNICATIONS SERVICES INC. BOTH BEING ISSUED IN STRICT CONFIDENCE AND SHALL NOT BE REPRODUCED, COPIED, OR USED FOR ANY PURPOSE WITHOUT SPECIFIC WRITTEN PERMISSION.

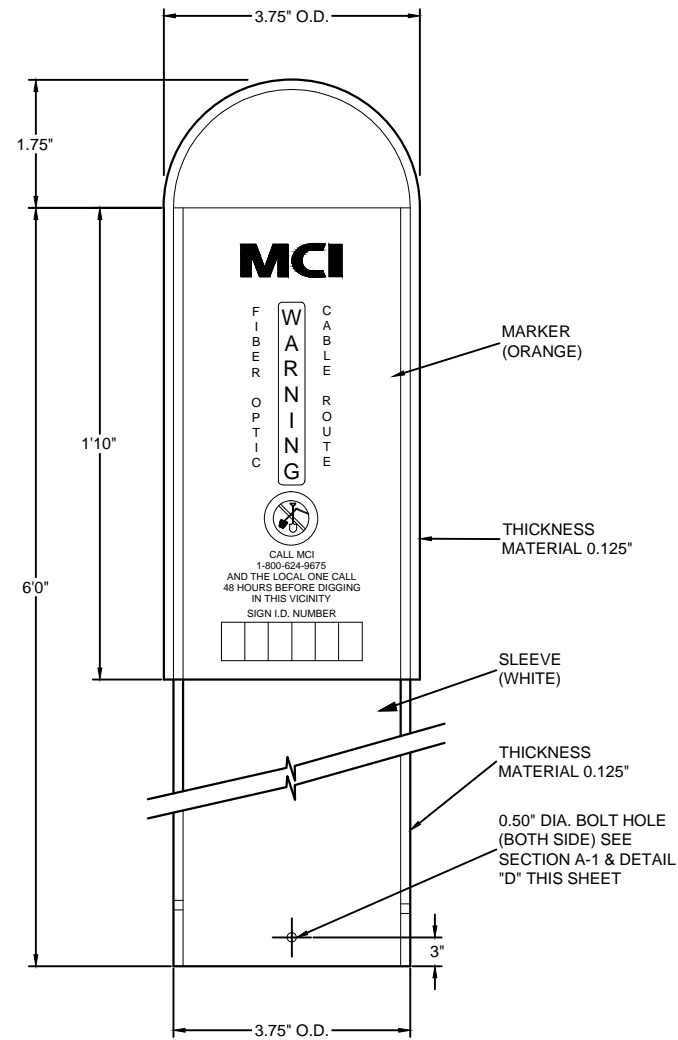
SCALE
 HORIZONTAL: 1"= 50'
 VERTICAL: 1"= N/A
 MP _____ TO MP _____
 SHEET 8A OF 129
 FILE: 1706ANBE.005 08AA

TUBULAR MARKER DETAILS

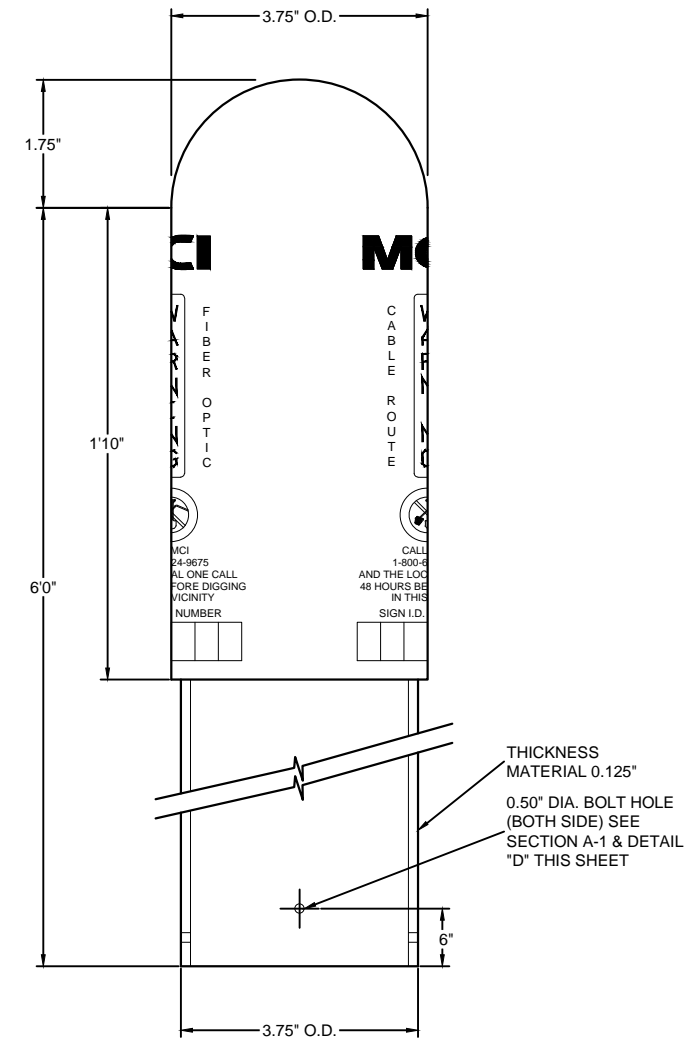
DETAIL "A"
INSTALLATION VIEW



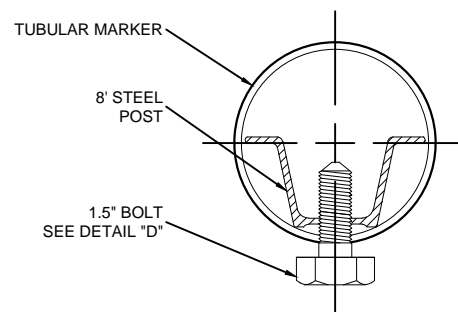
DETAIL "B"
FRONT VIEW



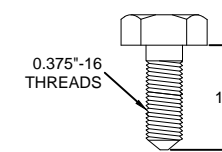
DETAIL "C"
SIDE VIEW



SECTION A-1
TUBULAR MARKER



DETAIL "D"
1.5" BOLT



PROJECT: 1706ANBE.005
RICHMOND, TX
PEACAN GROVE TO OVER EASY



MCImetro
ACCESS TRANSMISSION SERVICES CORPORATION
OUTSIDE PLANT CONSTRUCTION
TITLE: FIBER OPTIC ROUTE
PEACAN GROVE TO OVER EASY
RICHMOND, TX

DATE: 10/02/18
ENGINEER: L. STALCUP
DRAWN BY: T.P.G. (KIB)

REVISIONS			
No.	DATE	DESCRIPTION	BY
1.	-	-	-

EXCEPT AS MAY BE OTHERWISE PROVIDED BY CONTRACT, THESE DRAWINGS AND SPECIFICATIONS SHALL REMAIN THE PROPERTY OF MCI COMMUNICATIONS SERVICES INC. BOTH BEING ISSUED IN STRICT CONFIDENCE AND SHALL NOT BE REPRODUCED, COPIED, OR USED FOR ANY PURPOSE WITHOUT SPECIFIC WRITTEN PERMISSION.

SCALE
HORIZONTAL: 1" = 50'
VERTICAL: 1" = N/A
MP _____ TO MP _____
SHEET 9 OF 129
FILE: 1706ANBE.005 09 A

LEGEND

- WORK ZONE
- PLASTIC DRUM
- TRAFFIC CONSTRUCTION SIGNS
- TYPE III BARRICADE
- LAW OFFICER
- FLAGGER
- FLASHING ARROW PANEL
- DIRECTION OF TRAFFIC FLOW

PROJECT: 1706ANBE.005
 RICHMOND, TX
 PEACAN GROVE TO OVER EASY



MCImetro
 ACCESS TRANSMISSION SERVICES
 CORPORATION

OUTSIDE PLANT CONSTRUCTION

TITLE: FIBER OPTIC ROUTE
 PEACANGROVE TO OVEREASY
 RICHMOND, TX

DATE: 09/05/18
 ENGINEER: L. STALCUP
 DRAWN BY: T.P.G. (KIB)

REVISIONS

No.	DATE	DESCRIPTION	BY
1.	-	-	-

EXCEPT AS MAY BE OTHERWISE PROVIDED BY CONTRACT, THESE DRAWINGS AND SPECIFICATIONS SHALL REMAIN THE PROPERTY OF MCI COMMUNICATIONS SERVICES INC. BOTH BEING ISSUED IN STRICT CONFIDENCE AND SHALL NOT BE REPRODUCED, COPIED, OR USED FOR ANY PURPOSE WITHOUT SPECIFIC WRITTEN PERMISSION.

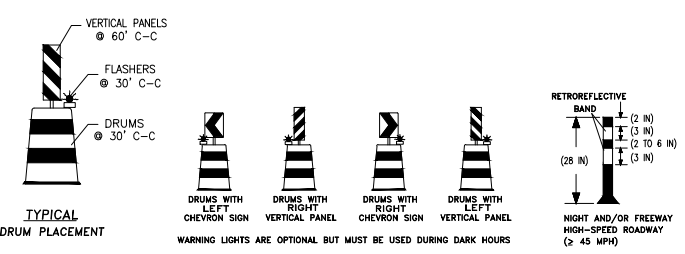
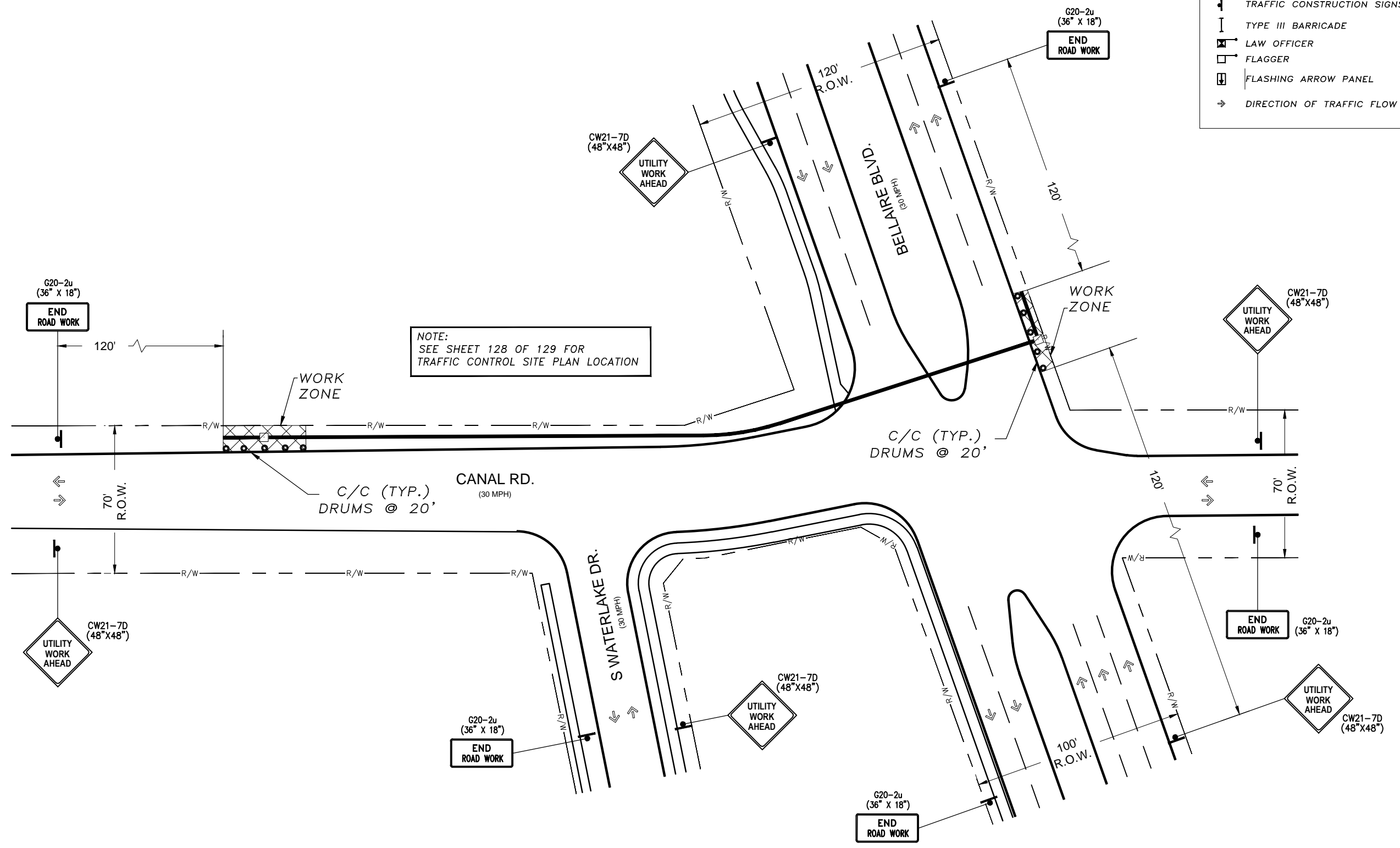
SCALE

HORIZONTAL: 1" = 50'
 VERTICAL: 1" = N/A

MP _____ TO MP _____

SHEET 9C OF 129

FILE: 1706ANBE.005 09CA



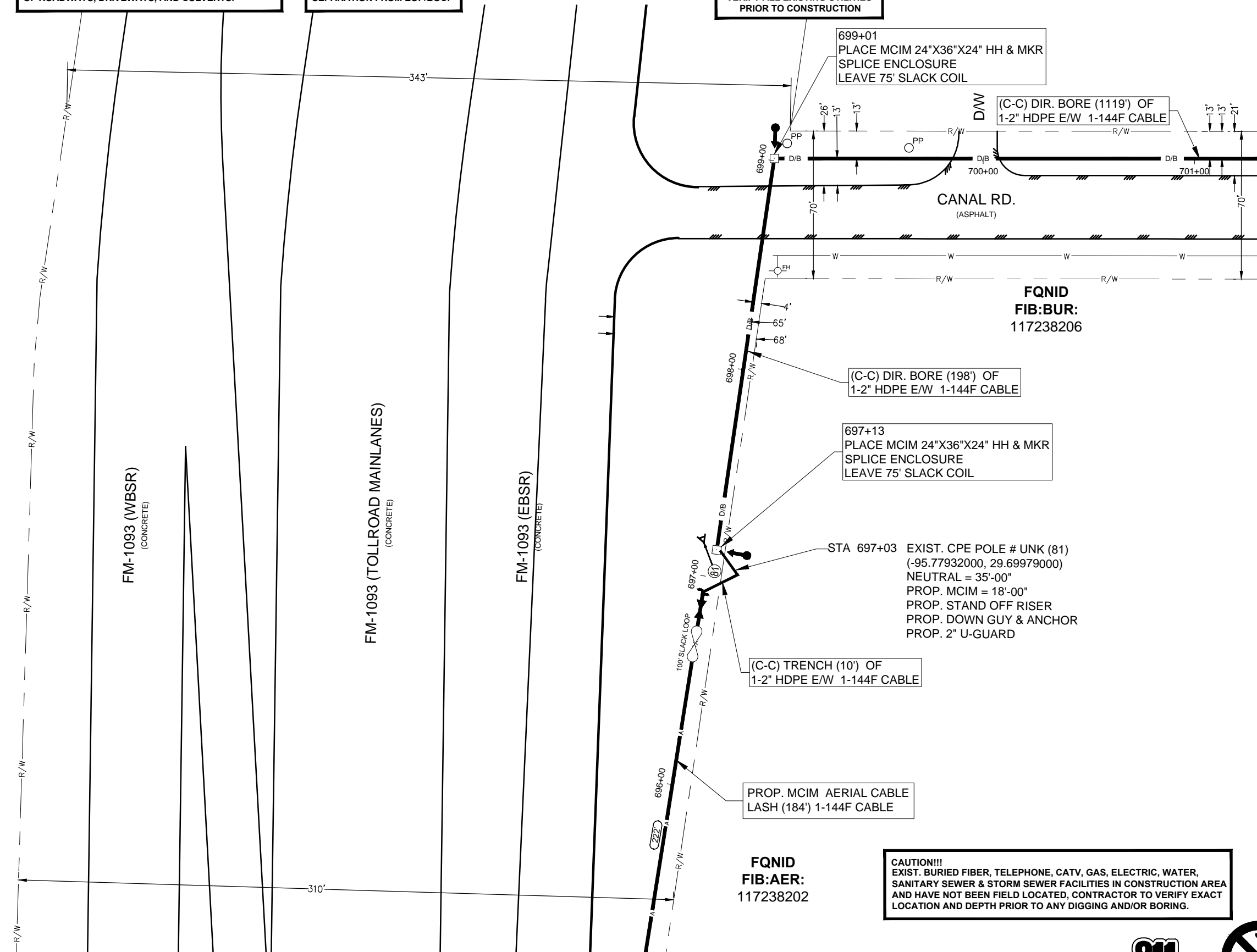
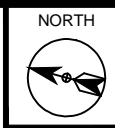
NOTE:
PROP. 4'X4' BORE PITS
AT EACH HH LOCATION

NOTE:
CONTRACTOR TO MAINTAIN 60" MIN. DEPTH CROSSING
OF ROADWAYS, DRIVEWAYS, AND CULVERTS.

NOTE:
MAINTAIN 4' MINIMUM
SEPARATION FROM EOP/BOC.

RICHMOND, TX
FORT BEND COUNTY

CAUTION !!!!
CONTRACTOR TO LOCATE &
VERIFY ALL EXISTING UTILITIES
PRIOR TO CONSTRUCTION



SEE SHEET 122 TO MATCH SURVEY STA. 701+31

PROJECT: 1706ANBE.005
RICHMOND, TX
PEACAN GROVE TO OVER EASY

CLARIFICATION NO.	QUANTITY
PLACE (24"X36"X24") HH	2
PLACE (17"X30"X36") HH	-
PROP. 1-2" HDPE	418'
PULL 1-144F (A) CABLE	568'
PULL 1-144F (DE) CABLE	-
PLACE 6M STRAND	184'
LASH 1-144F CABLE	284'
DOWN GUY & ANCHOR	1
RISER: 2" U GUARD	1
PLACE MARKER	2



MCImetro
ACCESS TRANSMISSION SERVICES
CORPORATION
OUTSIDE PLANT CONSTRUCTION
TITLE: FIBER OPTIC ROUTE
PEACANGROVE TO OVEREASY
RICHMOND, TX

DATE: 10/02/18
ENGINEER: L. STALCUP
DRAWN BY: T.P.G. (KIB)

REVISIONS			
No.	DATE	DESCRIPTION	BY
1.	-	-	-

EXCEPT AS MAY BE OTHERWISE PROVIDED BY
CONTRACT, THESE DRAWINGS AND SPECIFICATIONS
SHALL REMAIN THE PROPERTY OF MCI
COMMUNICATIONS SERVICES INC. BOTH BEING
ISSUED IN STRICT CONFIDENCE AND SHALL NOT BE
REPRODUCED, COPIED, OR USED FOR ANY
PURPOSE WITHOUT SPECIFIC WRITTEN PERMISSION.

SCALE
HORIZONTAL: 1" = 50'
VERTICAL: 1" = N/A
MP _____ TO MP _____
SHEET 121 OF 129
FILE: 1706ANBE.005 0121

UNDERGROUND UTILITIES HAVE BEEN PLOTTED FROM AVAILABLE RECORDS AND
FIELD OBSERVATIONS BUT ARE NOT NECESSARILY EXACT. IT IS THE CONTRACTORS
RESPONSIBILITY TO FIELD LOCATE ALL UNDERGROUND OBSTRUCTIONS AND
UTILITIES PRIOR TO CONSTRUCTION. COMPLETE REPAIR OF ANY AND ALL
DAMAGES INCURRED SHALL BE AT THE EXPENSE OF THE CONTRACTOR.

SEE SHEET 120 TO MATCH SURVEY STA. 695+19

NOTE:
THE CONTRACTOR SHALL FIELD VERIFY AND LOCATE
ALL EXISTING UTILITIES PRIOR TO CONSTRUCTION."

RIGHT OF WAY LINES WERE ESTABLISHED BY RESEARCH OF PUBLIC INFORMATION.
NO BOUNDARY SURVEY OR PROPERTY LINE SURVEY WAS ESTABLISHED. RIGHT OF
WAY BOUNDARY MUST BE FIELD VERIFIED BY A REGISTERED PROFESSIONAL LAND
SURVEYOR TO ACCURATELY VERIFY RIGHT OF WAY AND PROPERTY LINES PRIOR
TO CONSTRUCTION.

CAUTION!!!
EXIST. BURIED FIBER, TELEPHONE, CATV, GAS, ELECTRIC, WATER,
SANITARY SEWER & STORM SEWER FACILITIES IN CONSTRUCTION AREA
AND HAVE NOT BEEN FIELD LOCATED, CONTRACTOR TO VERIFY EXACT
LOCATION AND DEPTH PRIOR TO ANY DIGGING AND/OR BORING.

CALL BEFORE YOU DIG
1-800-545-6005
48 HOURS NOTICE REQUIRED

NOTE:
PROP. 4'X4' BORE PITS
AT EACH HH LOCATION

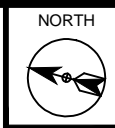
NOTE:
CONTRACTOR TO MAINTAIN 60" MIN. DEPTH CROSSING
OF ROADWAYS, DRIVEWAYS, AND CULVERTS.

NOTE:
MAINTAIN 4' MINIMUM
SEPARATION FROM EOP/BOC.

RICHMOND, TX
FORT BEND COUNTY

CAUTION !!!!
CONTRACTOR TO LOCATE &
VERIFY ALL EXISTING UTILITIES
PRIOR TO CONSTRUCTION

CAUTION!!!
EXIST. BURIED FIBER, TELEPHONE, CATV, GAS, ELECTRIC, WATER,
SANITARY SEWER & STORM SEWER FACILITIES IN CONSTRUCTION AREA
AND HAVE NOT BEEN FIELD LOCATED, CONTRACTOR TO VERIFY EXACT
LOCATION AND DEPTH PRIOR TO ANY DIGGING AND/OR BORING.



PROJECT: 1706ANBE.005
RICHMOND, TX
PEACAN GROVE TO OVER EASY

CLARIFICATION NO.	QUANTITY
PLACE (24"X36"X24") HH	-
PLACE (17"X30"X36") HH	-
PROP. 1-2" HDPE	650'
PULL 1-144F (A) CABLE	650'
PULL 1-144F (DE) CABLE	-
PLACE 6M STRAND	-
LASH 1-144F CABLE	-
DOWN GUY & ANCHOR	-
RISER: 2" U GUARD	-
PLACE MARKER	-



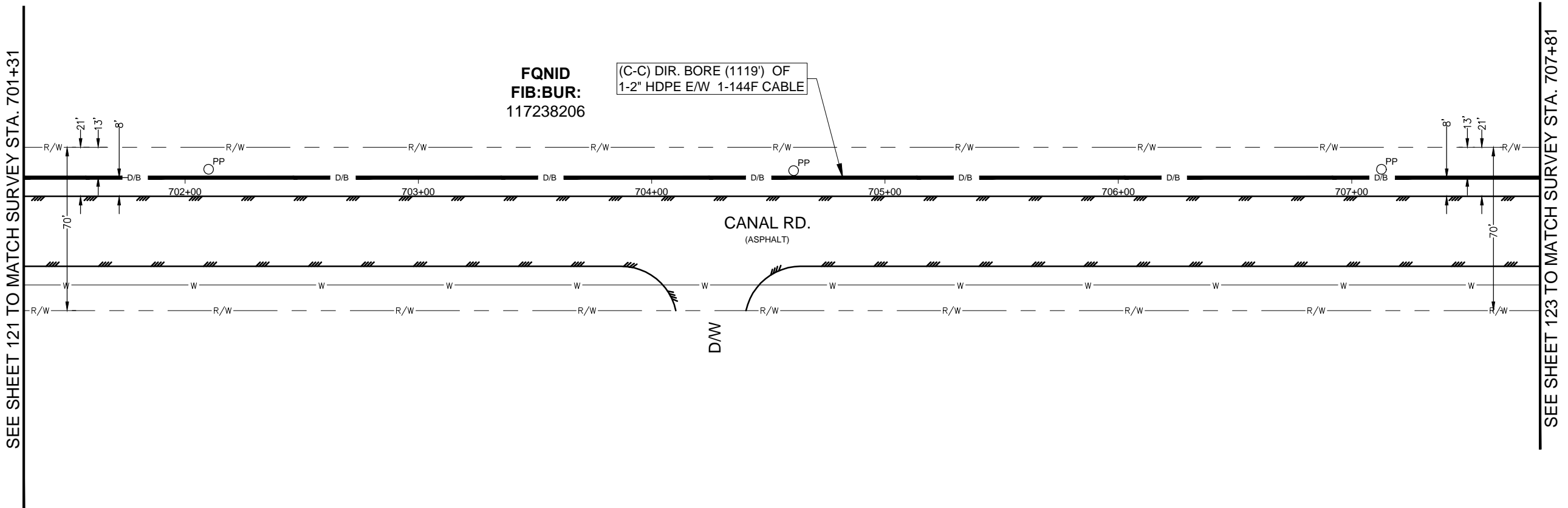
MCI metro
ACCESS TRANSMISSION SERVICES
CORPORATION
OUTSIDE PLANT CONSTRUCTION
TITLE: FIBER OPTIC ROUTE
PEACAN GROVE TO OVEREASY
RICHMOND, TX

DATE: 10/02/18
ENGINEER: L. STALCUP
DRAWN BY: T.P.G. (KIB)

REVISIONS			
No.	DATE	DESCRIPTION	BY
1.	-	-	-

EXCEPT AS MAY BE OTHERWISE PROVIDED BY
CONTRACT, THESE DRAWINGS AND SPECIFICATIONS
SHALL REMAIN THE PROPERTY OF MCI
COMMUNICATIONS SERVICES INC. BOTH BEING
ISSUED IN STRICT CONFIDENCE AND SHALL NOT BE
REPRODUCED, COPIED, OR USED FOR ANY
PURPOSE WITHOUT SPECIFIC WRITTEN PERMISSION.

SCALE
HORIZONTAL: 1" = 50'
VERTICAL: 1" = N/A
MP _____ TO MP _____
SHEET 122 OF 129
FILE: 1706ANBE.005 0122



SEE SHEET 121 TO MATCH SURVEY STA. 701+31

SEE SHEET 123 TO MATCH SURVEY STA. 707+81

UNDERGROUND UTILITIES HAVE BEEN PLOTTED FROM AVAILABLE RECORDS AND
FIELD OBSERVATIONS BUT ARE NOT NECESSARILY EXACT. IT IS THE CONTRACTORS
RESPONSIBILITY TO FIELD LOCATE ALL UNDERGROUND OBSTRUCTIONS AND
UTILITIES PRIOR TO CONSTRUCTION. COMPLETE REPAIR OF ANY AND ALL
DAMAGES INCURRED SHALL BE AT THE EXPENSE OF THE CONTRACTOR.

NOTE:
THE CONTRACTOR SHALL FIELD VERIFY AND LOCATE
ALL EXISTING UTILITIES PRIOR TO CONSTRUCTION."

RIGHT OF WAY LINES WERE ESTABLISHED BY RESEARCH OF PUBLIC INFORMATION.
NO BOUNDARY SURVEY OR PROPERTY LINE SURVEY WAS ESTABLISHED. RIGHT OF
WAY BOUNDARY MUST BE FIELD VERIFIED BY A REGISTERED PROFESSIONAL LAND
SURVEYOR TO ACCURATELY VERIFY RIGHT OF WAY AND PROPERTY LINES PRIOR
TO CONSTRUCTION.

CALL BEFORE YOU DIG
1-800-545-6005
48 HOURS NOTICE REQUIRED

NOTE:
PROP. 4'X4' BORE PITS
AT EACH HH LOCATION

NOTE:
CONTRACTOR TO MAINTAIN 60" MIN. DEPTH CROSSING
OF ROADWAYS, DRIVEWAYS, AND CULVERTS.

NOTE:
MAINTAIN 4' MINIMUM
SEPARATION FROM EOP/BOC.

RICHMOND, TX
FORT BEND COUNTY

CAUTION !!!!
CONTRACTOR TO LOCATE &
VERIFY ALL EXISTING UTILITIES
PRIOR TO CONSTRUCTION

CAUTION!!!
EXIST. BURIED FIBER, TELEPHONE, CATV, GAS, ELECTRIC, WATER,
SANITARY SEWER & STORM SEWER FACILITIES IN CONSTRUCTION AREA
AND HAVE NOT BEEN FIELD LOCATED, CONTRACTOR TO VERIFY EXACT
LOCATION AND DEPTH PRIOR TO ANY DIGGING AND/OR BORING.



PROJECT: 1706ANBE.005
RICHMOND, TX
PEACAN GROVE TO OVER EASY

CLARIFICATION NO.	QUANTITY
PLACE (24"X36"X24") HH	1
PLACE (17"X30"X36") HH	-
PROP. 1-2" HDPE	650'
PULL 1-144F (A) CABLE	725
PULL 1-144F (DE) CABLE	-
PLACE 6M STRAND	-
LASH 1-144F CABLE	-
DOWN GUY & ANCHOR	-
RISER: 2" U GUARD	-
PLACE MARKER	1



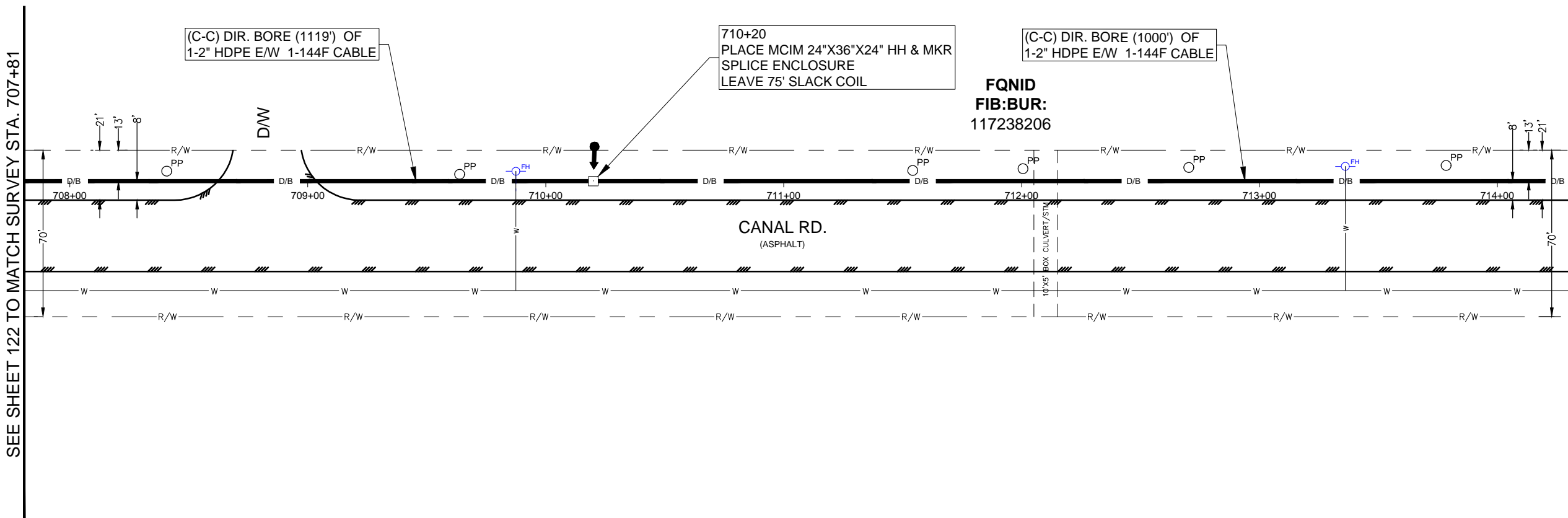
MCImetro
ACCESS TRANSMISSION SERVICES
CORPORATION
OUTSIDE PLANT CONSTRUCTION
TITLE: FIBER OPTIC ROUTE
PEACAN GROVE TO OVER EASY
RICHMOND, TX

DATE: 10/02/18
ENGINEER: L. STALCUP
DRAWN BY: T.P.G. (KIB)

REVISIONS			
No.	DATE	DESCRIPTION	BY
1.	-	-	-

EXCEPT AS MAY BE OTHERWISE PROVIDED BY
CONTRACT, THESE DRAWINGS AND SPECIFICATIONS
SHALL REMAIN THE PROPERTY OF MCI
COMMUNICATIONS SERVICES INC. BOTH BEING
ISSUED IN STRICT CONFIDENCE AND SHALL NOT BE
REPRODUCED, COPIED, OR USED FOR ANY
PURPOSE WITHOUT SPECIFIC WRITTEN PERMISSION.

SCALE
HORIZONTAL: 1" = 50'
VERTICAL: 1" = N/A
MP _____ TO MP _____
SHEET 123 OF 129
FILE: 1706ANBE.005 0123



UNDERGROUND UTILITIES HAVE BEEN PLOTTED FROM AVAILABLE RECORDS AND
FIELD OBSERVATIONS BUT ARE NOT NECESSARILY EXACT. IT IS THE CONTRACTORS
RESPONSIBILITY TO FIELD LOCATE ALL UNDERGROUND OBSTRUCTIONS AND
UTILITIES PRIOR TO CONSTRUCTION. COMPLETE REPAIR OF ANY AND ALL
DAMAGES INCURRED SHALL BE AT THE EXPENSE OF THE CONTRACTOR.

NOTE:
THE CONTRACTOR SHALL FIELD VERIFY AND LOCATE
ALL EXISTING UTILITIES PRIOR TO CONSTRUCTION."

RIGHT OF WAY LINES WERE ESTABLISHED BY RESEARCH OF PUBLIC INFORMATION.
NO BOUNDARY SURVEY OR PROPERTY LINE SURVEY WAS ESTABLISHED. RIGHT OF
WAY BOUNDARY MUST BE FIELD VERIFIED BY A REGISTERED PROFESSIONAL LAND
SURVEYOR TO ACCURATELY VERIFY RIGHT OF WAY AND PROPERTY LINES PRIOR
TO CONSTRUCTION.

CALL BEFORE YOU DIG
1-800-545-6005
48 HOURS NOTICE REQUIRED

NOTE:
PROP. 4'X4' BORE PITS
AT EACH HH LOCATION

NOTE:
CONTRACTOR TO MAINTAIN 60" MIN. DEPTH CROSSING
OF ROADWAYS, DRIVEWAYS, AND CULVERTS.

NOTE:
MAINTAIN 4' MINIMUM
SEPARATION FROM EOP/BOC.

RICHMOND, TX
FORT BEND COUNTY

CAUTION !!!!
CONTRACTOR TO LOCATE &
VERIFY ALL EXISTING UTILITIES
PRIOR TO CONSTRUCTION

CAUTION!!!
EXIST. BURIED FIBER, TELEPHONE, CATV, GAS, ELECTRIC, WATER,
SANITARY SEWER & STORM SEWER FACILITIES IN CONSTRUCTION AREA
AND HAVE NOT BEEN FIELD LOCATED, CONTRACTOR TO VERIFY EXACT
LOCATION AND DEPTH PRIOR TO ANY DIGGING AND/OR BORING.



PROJECT: 1706ANBE.005
RICHMOND, TX
PEACAN GROVE TO OVER EASY

CLARIFICATION NO.	QUANTITY
PLACE (24"X36"X24") HH	1
PLACE (17"X30"X36") HH	-
PROP. 1-2" HDPE	650'
PULL 1-144F (A) CABLE	725
PULL 1-144F (DE) CABLE	-
PLACE 6M STRAND	-
LASH 1-144F CABLE	-
DOWN GUY & ANCHOR	-
RISER: 2" U GUARD	-
PLACE MARKER	1



MCI metro
ACCESS TRANSMISSION SERVICES
CORPORATION
OUTSIDE PLANT CONSTRUCTION
TITLE: FIBER OPTIC ROUTE
PEACANGROVE TO OVEREASY
RICHMOND, TX

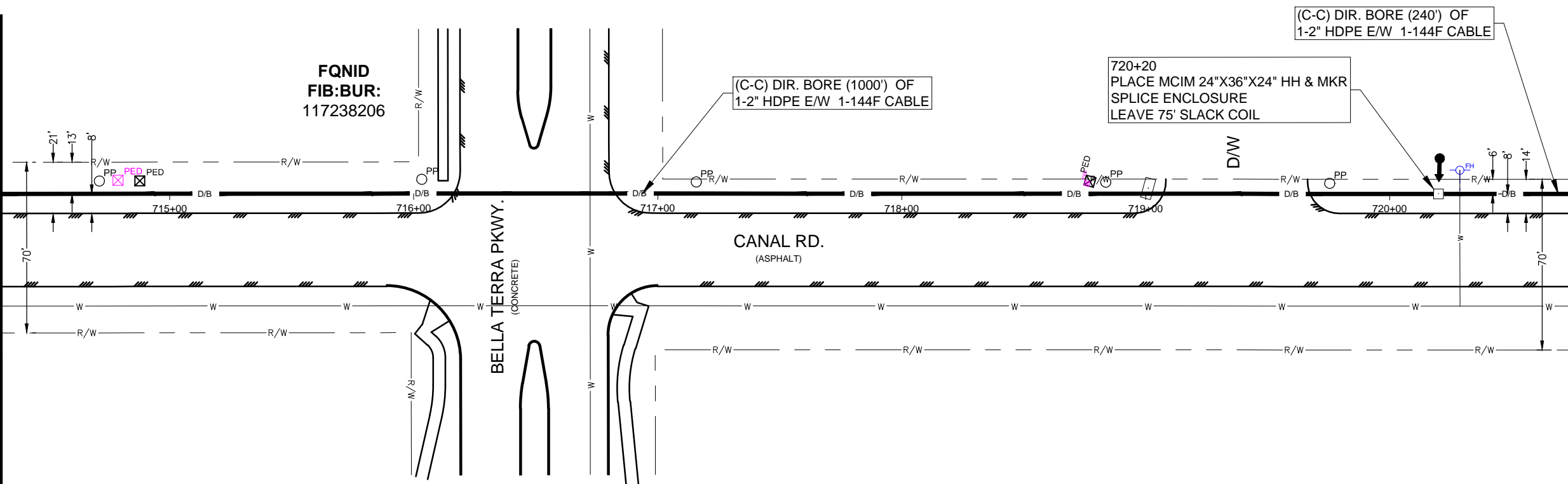
DATE: 10/02/18
ENGINEER: L. STALCUP
DRAWN BY: T.P.G. (KIB)

REVISIONS			
No.	DATE	DESCRIPTION	BY
1.	-	-	-

EXCEPT AS MAY BE OTHERWISE PROVIDED BY
CONTRACT, THESE DRAWINGS AND SPECIFICATIONS
SHALL REMAIN THE PROPERTY OF MCI
COMMUNICATIONS SERVICES INC. BOTH BEING
ISSUED IN STRICT CONFIDENCE AND SHALL NOT BE
REPRODUCED, COPIED, OR USED FOR ANY
PURPOSE WITHOUT SPECIFIC WRITTEN PERMISSION.

SCALE
HORIZONTAL: 1" = 50'
VERTICAL: 1" = N/A
MP _____ TO MP _____
SHEET 124 OF 129
FILE: 1706ANBE.005 0124

SEE SHEET 123 TO MATCH SURVEY STA. 714+31



SEE SHEET 125 TO MATCH SURVEY STA. 720+81

UNDERGROUND UTILITIES HAVE BEEN PLOTTED FROM AVAILABLE RECORDS AND
FIELD OBSERVATIONS BUT ARE NOT NECESSARILY EXACT. IT IS THE CONTRACTORS
RESPONSIBILITY TO FIELD LOCATE ALL UNDERGROUND OBSTRUCTIONS AND
UTILITIES PRIOR TO CONSTRUCTION. COMPLETE REPAIR OF ANY AND ALL
DAMAGES INCURRED SHALL BE AT THE EXPENSE OF THE CONTRACTOR.

NOTE:
THE CONTRACTOR SHALL FIELD VERIFY AND LOCATE
ALL EXISTING UTILITIES PRIOR TO CONSTRUCTION."

RIGHT OF WAY LINES WERE ESTABLISHED BY RESEARCH OF PUBLIC INFORMATION.
NO BOUNDARY SURVEY OR PROPERTY LINE SURVEY WAS ESTABLISHED. RIGHT OF
WAY BOUNDARY MUST BE FIELD VERIFIED BY A REGISTERED PROFESSIONAL LAND
SURVEYOR TO ACCURATELY VERIFY RIGHT OF WAY AND PROPERTY LINES PRIOR
TO CONSTRUCTION.

CALL BEFORE YOU DIG
1-800-545-6005
48 HOURS NOTICE REQUIRED

NOTE:
PROP. 4'X4' BORE PITS
AT EACH HH LOCATION

NOTE:
CONTRACTOR TO MAINTAIN 60" MIN. DEPTH CROSSING
OF ROADWAYS, DRIVEWAYS, AND CULVERTS.

NOTE:
MAINTAIN 4' MINIMUM
SEPARATION FROM EOP/BOC.

RICHMOND, TX
FORT BEND COUNTY

CAUTION !!!!
CONTRACTOR TO LOCATE &
VERIFY ALL EXISTING UTILITIES
PRIOR TO CONSTRUCTION

CAUTION!!!
EXIST. BURIED FIBER, TELEPHONE, CATV, GAS, ELECTRIC, WATER,
SANITARY SEWER & STORM SEWER FACILITIES IN CONSTRUCTION AREA
AND HAVE NOT BEEN FIELD LOCATED, CONTRACTOR TO VERIFY EXACT
LOCATION AND DEPTH PRIOR TO ANY DIGGING AND/OR BORING.



PROJECT: 1706ANBE.005
RICHMOND, TX
PEACAN GROVE TO OVER EASY

CLARIFICATION NO.	QUANTITY
PLACE (24"X36"X24") HH	1
PLACE (17"X30"X36") HH	-
PROP. 1-2" HDPE	650'
PULL 1-144F (A) CABLE	725
PULL 1-144F (DE) CABLE	-
PLACE 6M STRAND	-
LASH 1-144F CABLE	-
DOWN GUY & ANCHOR	-
RISER: 2" U GUARD	-
PLACE MARKER	1



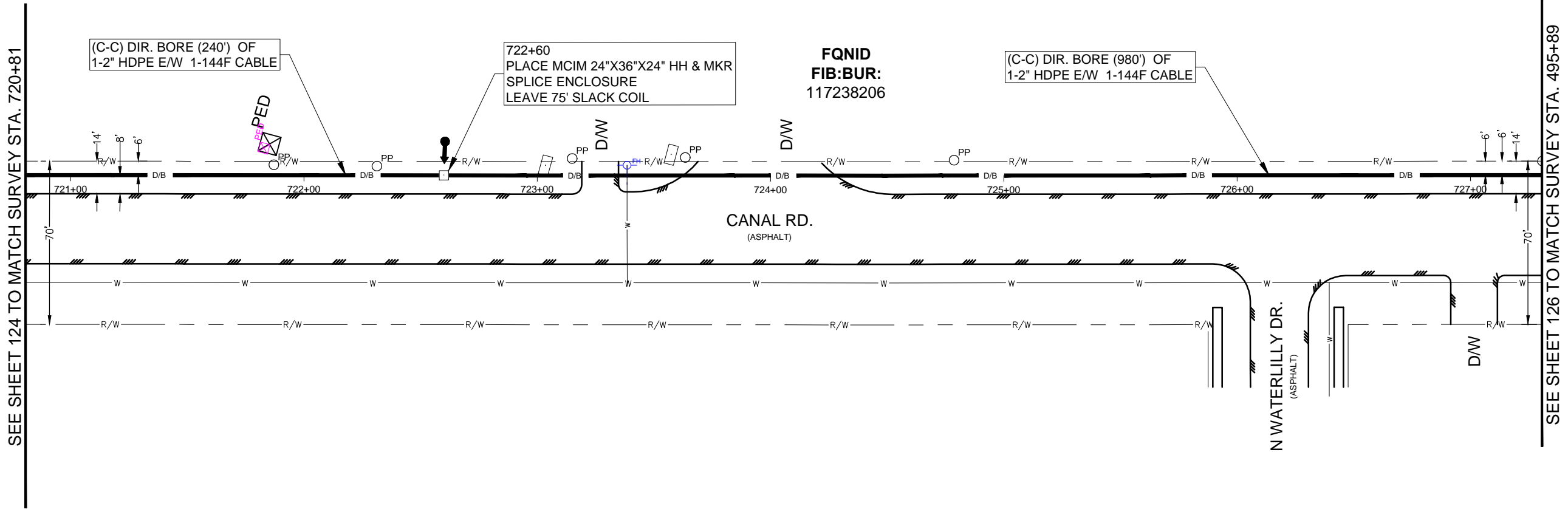
MCI metro
ACCESS TRANSMISSION SERVICES
CORPORATION
OUTSIDE PLANT CONSTRUCTION
TITLE: FIBER OPTIC ROUTE
PEACAN GROVE TO OVER EASY
RICHMOND, TX

DATE: 10/02/18
ENGINEER: L. STALCUP
DRAWN BY: T.P.G. (KIB)

REVISIONS			
No.	DATE	DESCRIPTION	BY
1.	-	-	-

EXCEPT AS MAY BE OTHERWISE PROVIDED BY
CONTRACT, THESE DRAWINGS AND SPECIFICATIONS
SHALL REMAIN THE PROPERTY OF MCI
COMMUNICATIONS SERVICES INC. BOTH BEING
ISSUED IN STRICT CONFIDENCE AND SHALL NOT BE
REPRODUCED, COPIED, OR USED FOR ANY
PURPOSE WITHOUT SPECIFIC WRITTEN PERMISSION.

SCALE
HORIZONTAL: 1" = 50'
VERTICAL: 1" = N/A
MP _____ TO MP _____
SHEET 125 OF 129
FILE: 1706ANBE.005 0125



(C-C) DIR. BORE (240') OF
1-2" HDPE E/W 1-144F CABLE

722+60
PLACE MCIM 24"X36"X24" HH & MKR
SPlice ENCLOSURE
LEAVE 75' SLACK COIL

FQID
FIB: BUR:
117238206

(C-C) DIR. BORE (980') OF
1-2" HDPE E/W 1-144F CABLE

UNDERGROUND UTILITIES HAVE BEEN PLOTTED FROM AVAILABLE RECORDS AND
FIELD OBSERVATIONS BUT ARE NOT NECESSARILY EXACT. IT IS THE CONTRACTORS
RESPONSIBILITY TO FIELD LOCATE ALL UNDERGROUND OBSTRUCTIONS AND
UTILITIES PRIOR TO CONSTRUCTION. COMPLETE REPAIR OF ANY AND ALL
DAMAGES INCURRED SHALL BE AT THE EXPENSE OF THE CONTRACTOR.

NOTE:
THE CONTRACTOR SHALL FIELD VERIFY AND LOCATE
ALL EXISTING UTILITIES PRIOR TO CONSTRUCTION."

RIGHT OF WAY LINES WERE ESTABLISHED BY RESEARCH OF PUBLIC INFORMATION.
NO BOUNDARY SURVEY OR PROPERTY LINE SURVEY WAS ESTABLISHED. RIGHT OF
WAY BOUNDARY MUST BE FIELD VERIFIED BY A REGISTERED PROFESSIONAL LAND
SURVEYOR TO ACCURATELY VERIFY RIGHT OF WAY AND PROPERTY LINES PRIOR
TO CONSTRUCTION.

CALL BEFORE YOU DIG
1-800-545-6005
48 HOURS NOTICE REQUIRED

NOTE:
PROP. 4'X4' BORE PITS
AT EACH HH LOCATION

NOTE:
CONTRACTOR TO MAINTAIN 60" MIN. DEPTH CROSSING
OF ROADWAYS, DRIVEWAYS, AND CULVERTS.

NOTE:
MAINTAIN 4' MINIMUM
SEPARATION FROM EOP/BOC.

RICHMOND, TX
FORT BEND COUNTY

CAUTION !!!!
CONTRACTOR TO LOCATE &
VERIFY ALL EXISTING UTILITIES
PRIOR TO CONSTRUCTION

CAUTION!!!
EXIST. BURIED FIBER, TELEPHONE, CATV, GAS, ELECTRIC, WATER,
SANITARY SEWER & STORM SEWER FACILITIES IN CONSTRUCTION AREA
AND HAVE NOT BEEN FIELD LOCATED, CONTRACTOR TO VERIFY EXACT
LOCATION AND DEPTH PRIOR TO ANY DIGGING AND/OR BORING.



PROJECT: 1706ANBE.005
RICHMOND, TX
PEACAN GROVE TO OVER EASY

CLARIFICATION NO.	QUANTITY
PLACE (24"X36"X24") HH	1
PLACE (17"X30"X36") HH	-
PROP. 1-2" HDPE	650'
PULL 1-144F (A) CABLE	725
PULL 1-144F (DE) CABLE	-
PLACE 6M STRAND	-
LASH 1-144F CABLE	-
DOWN GUY & ANCHOR	-
RISER: 2" U GUARD	-
PLACE MARKER	1



MCImetro
ACCESS TRANSMISSION SERVICES
CORPORATION
OUTSIDE PLANT CONSTRUCTION
TITLE: FIBER OPTIC ROUTE
PEACANGROVE TO OVEREASY
RICHMOND, TX

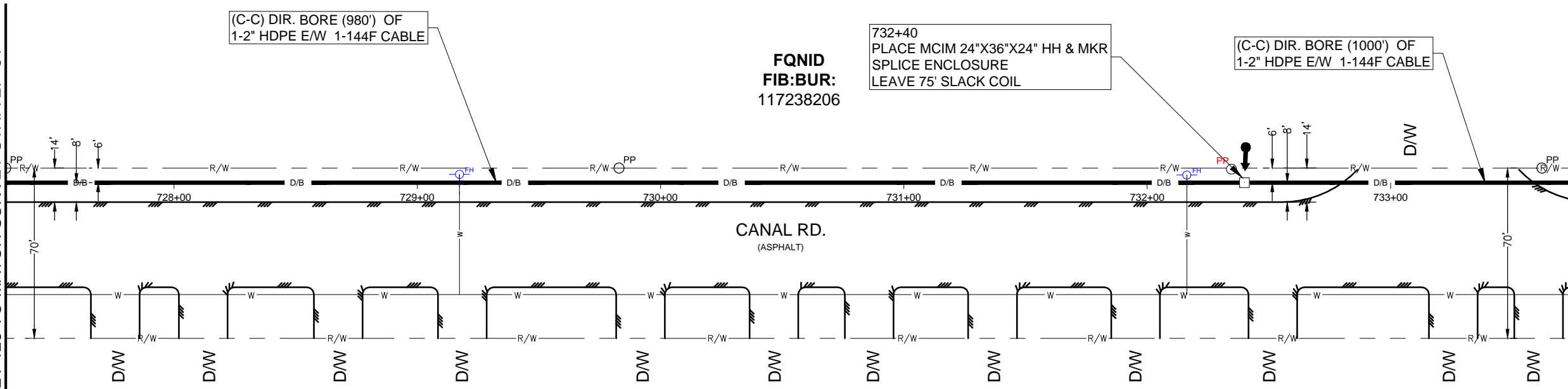
DATE: 10/02/18
ENGINEER: L. STALCUP
DRAWN BY: T.P.G. (KIB)

REVISIONS			
No.	DATE	DESCRIPTION	BY
1.	-	-	-

EXCEPT AS MAY BE OTHERWISE PROVIDED BY
CONTRACT, THESE DRAWINGS AND SPECIFICATIONS
SHALL REMAIN THE PROPERTY OF MCI
COMMUNICATIONS SERVICES INC. BOTH BEING
ISSUED IN STRICT CONFIDENCE AND SHALL NOT BE
REPRODUCED, COPIED, OR USED FOR ANY
PURPOSE WITHOUT SPECIFIC WRITTEN PERMISSION.

SCALE
HORIZONTAL: 1" = 50'
VERTICAL: 1" = N/A
MP _____ TO MP _____
SHEET 126 OF 129
FILE: 1706ANBE.005 0126

SEE SHEET 125 TO MATCH SURVEY STA. 727+31



SEE SHEET 127 TO MATCH SURVEY STA. 733+81

UNDERGROUND UTILITIES HAVE BEEN PLOTTED FROM AVAILABLE RECORDS AND
FIELD OBSERVATIONS BUT ARE NOT NECESSARILY EXACT. IT IS THE CONTRACTORS
RESPONSIBILITY TO FIELD LOCATE ALL UNDERGROUND OBSTRUCTIONS AND
UTILITIES PRIOR TO CONSTRUCTION. COMPLETE REPAIR OF ANY AND ALL
DAMAGES INCURRED SHALL BE AT THE EXPENSE OF THE CONTRACTOR.

NOTE:
THE CONTRACTOR SHALL FIELD VERIFY AND LOCATE
ALL EXISTING UTILITIES PRIOR TO CONSTRUCTION."

RIGHT OF WAY LINES WERE ESTABLISHED BY RESEARCH OF PUBLIC INFORMATION.
NO BOUNDARY SURVEY OR PROPERTY LINE SURVEY WAS ESTABLISHED. RIGHT OF
WAY BOUNDARY MUST BE FIELD VERIFIED BY A REGISTERED PROFESSIONAL LAND
SURVEYOR TO ACCURATELY VERIFY RIGHT OF WAY AND PROPERTY LINES PRIOR
TO CONSTRUCTION.

CALL BEFORE YOU DIG
1-800-545-6005
48 HOURS NOTICE REQUIRED

NOTE:
PROP. 4'X4' BORE PITS
AT EACH HH LOCATION

NOTE:
CONTRACTOR TO MAINTAIN 60" MIN. DEPTH CROSSING
OF ROADWAYS, DRIVEWAYS, AND CULVERTS.

NOTE:
MAINTAIN 4' MINIMUM
SEPARATION FROM EOP/BOC.

RICHMOND, TX
FORT BEND COUNTY

CAUTION !!!!
CONTRACTOR TO LOCATE &
VERIFY ALL EXISTING UTILITIES
PRIOR TO CONSTRUCTION

CAUTION!!!
EXIST. BURIED FIBER, TELEPHONE, CATV, GAS, ELECTRIC, WATER,
SANITARY SEWER & STORM SEWER FACILITIES IN CONSTRUCTION AREA
AND HAVE NOT BEEN FIELD LOCATED, CONTRACTOR TO VERIFY EXACT
LOCATION AND DEPTH PRIOR TO ANY DIGGING AND/OR BORING.



PROJECT: 1706ANBE.005
RICHMOND, TX
PEACAN GROVE TO OVER EASY

CLARIFICATION NO.	QUANTITY
PLACE (24"X36"X24") HH	-
PLACE (17"X30"X36") HH	-
PROP. 1-2" HDPE	650'
PULL 1-144F (A) CABLE	650'
PULL 1-144F (DE) CABLE	-
PLACE 6M STRAND	-
LASH 1-144F CABLE	-
DOWN GUY & ANCHOR	-
RISER: 2" U GUARD	-
PLACE MARKER	-



MCImetro
ACCESS TRANSMISSION SERVICES
CORPORATION
OUTSIDE PLANT CONSTRUCTION
TITLE: FIBER OPTIC ROUTE
PEACAN GROVE TO OVEREASY
RICHMOND, TX

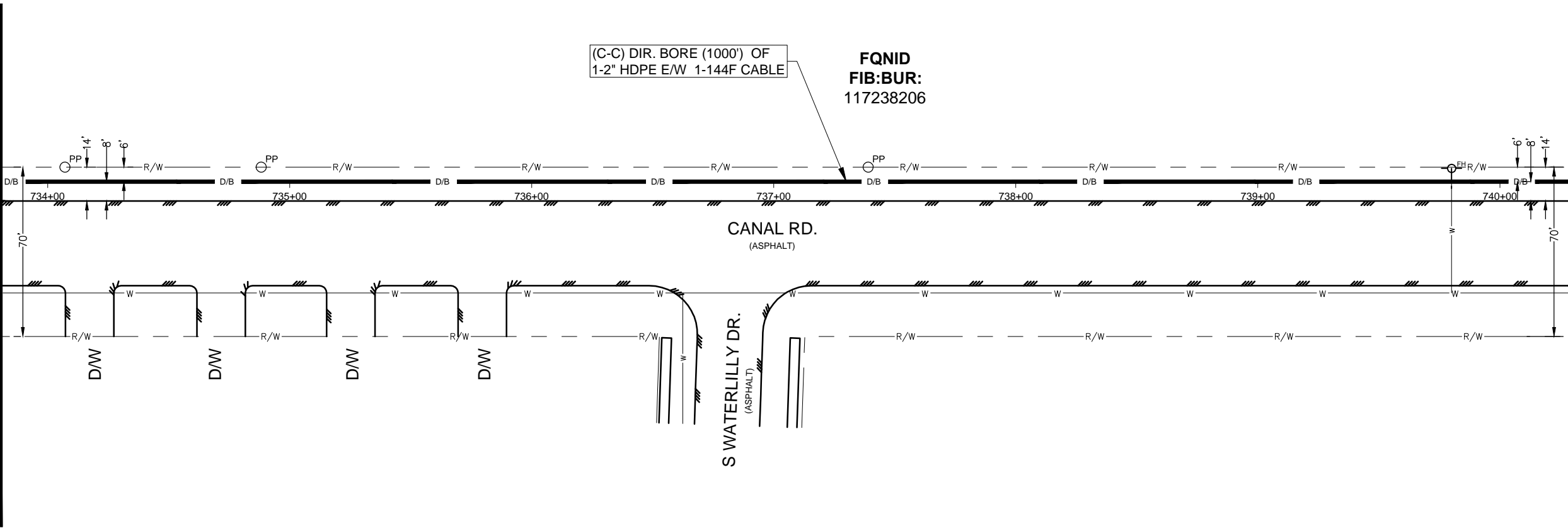
DATE: 10/02/18
ENGINEER: L. STALCUP
DRAWN BY: T.P.G. (KIB)

REVISIONS			
No.	DATE	DESCRIPTION	BY
1.	-	-	-

EXCEPT AS MAY BE OTHERWISE PROVIDED BY
CONTRACT, THESE DRAWINGS AND SPECIFICATIONS
SHALL REMAIN THE PROPERTY OF MCI
COMMUNICATIONS SERVICES INC. BOTH BEING
ISSUED IN STRICT CONFIDENCE AND SHALL NOT BE
REPRODUCED, COPIED, OR USED FOR ANY
PURPOSE WITHOUT SPECIFIC WRITTEN PERMISSION.

SCALE
HORIZONTAL: 1" = 50'
VERTICAL: 1" = N/A
MP _____ TO MP _____
SHEET 127 OF 129
FILE: 1706ANBE.005 0127

SEE SHEET 126 TO MATCH SURVEY STA. 733+81



SEE SHEET 128 TO MATCH SURVEY STA. 740+31

UNDERGROUND UTILITIES HAVE BEEN PLOTTED FROM AVAILABLE RECORDS AND
FIELD OBSERVATIONS BUT ARE NOT NECESSARILY EXACT. IT IS THE CONTRACTORS
RESPONSIBILITY TO FIELD LOCATE ALL UNDERGROUND OBSTRUCTIONS AND
UTILITIES PRIOR TO CONSTRUCTION. COMPLETE REPAIR OF ANY AND ALL
DAMAGES INCURRED SHALL BE AT THE EXPENSE OF THE CONTRACTOR.

NOTE:
THE CONTRACTOR SHALL FIELD VERIFY AND LOCATE
ALL EXISTING UTILITIES PRIOR TO CONSTRUCTION."

RIGHT OF WAY LINES WERE ESTABLISHED BY RESEARCH OF PUBLIC INFORMATION.
NO BOUNDARY SURVEY OR PROPERTY LINE SURVEY WAS ESTABLISHED. RIGHT OF
WAY BOUNDARY MUST BE FIELD VERIFIED BY A REGISTERED PROFESSIONAL LAND
SURVEYOR TO ACCURATELY VERIFY RIGHT OF WAY AND PROPERTY LINES PRIOR
TO CONSTRUCTION.



CALL BEFORE YOU DIG
1-800-545-6005
48 HOURS NOTICE REQUIRED

RICHMOND, TX
FORT BEND COUNTY

NORTH



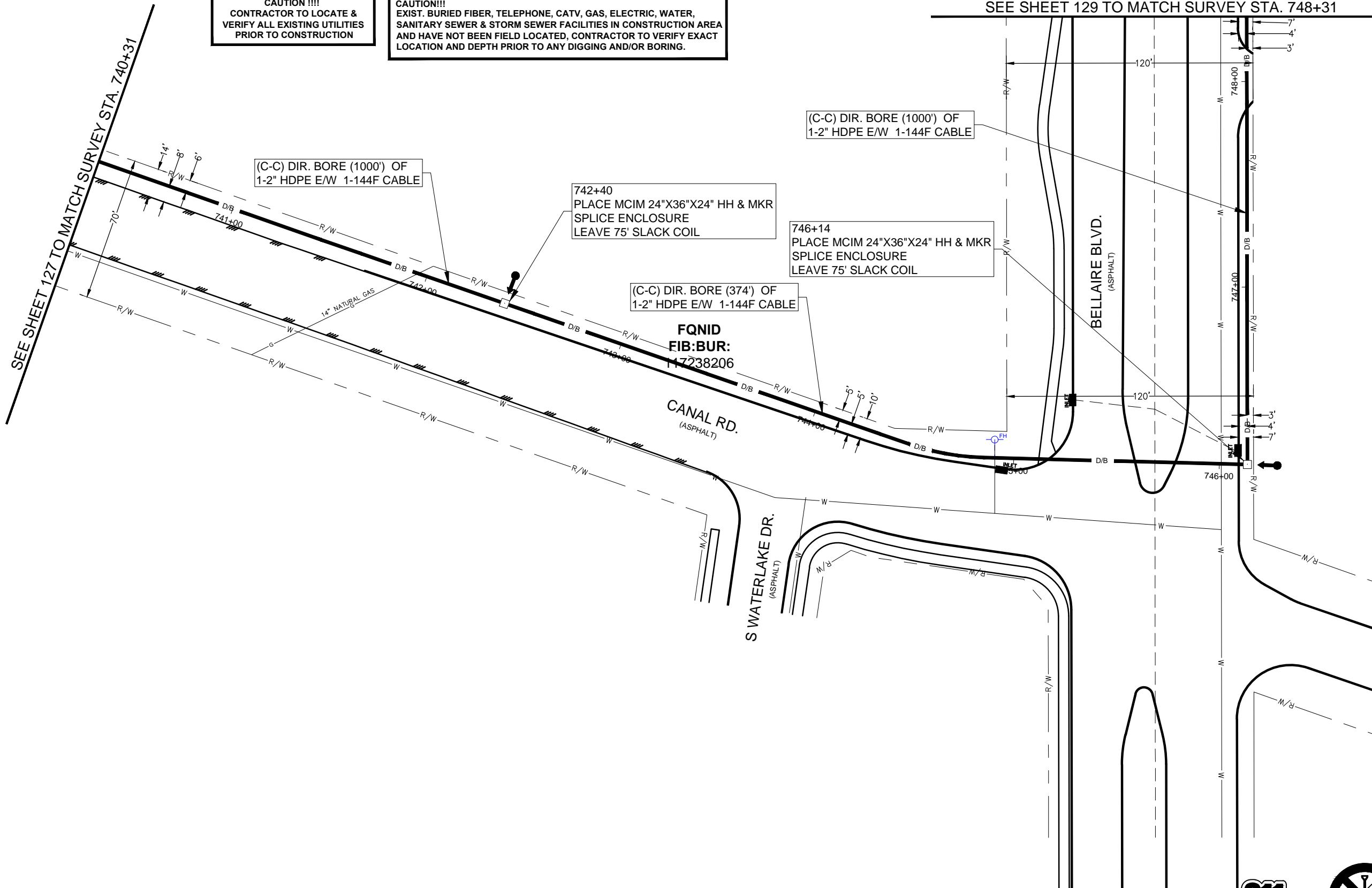
NOTE:
PROP. 4'X4' BORE PITS
AT EACH HH LOCATION

NOTE:
CONTRACTOR TO MAINTAIN 60" MIN. DEPTH CROSSING
OF ROADWAYS, DRIVEWAYS, AND CULVERTS.

NOTE:
MAINTAIN 4' MINIMUM
SEPARATION FROM EOP/BOC.

CAUTION !!!
CONTRACTOR TO LOCATE &
VERIFY ALL EXISTING UTILITIES
PRIOR TO CONSTRUCTION

CAUTION!!!
EXIST. BURIED FIBER, TELEPHONE, CATV, GAS, ELECTRIC, WATER,
SANITARY SEWER & STORM SEWER FACILITIES IN CONSTRUCTION AREA
AND HAVE NOT BEEN FIELD LOCATED, CONTRACTOR TO VERIFY EXACT
LOCATION AND DEPTH PRIOR TO ANY DIGGING AND/OR BORING.



SEE SHEET 129 TO MATCH SURVEY STA. 748+31

SEE SHEET 127 TO MATCH SURVEY STA. 740+31

(C-C) DIR. BORE (1000') OF
1-2" HDPE E/W 1-144F CABLE

742+40
PLACE MCIM 24"X36"X24" HH & MKR
SPlice ENCLOSURE
LEAVE 75' SLACK COIL

746+14
PLACE MCIM 24"X36"X24" HH & MKR
SPlice ENCLOSURE
LEAVE 75' SLACK COIL

(C-C) DIR. BORE (374') OF
1-2" HDPE E/W 1-144F CABLE

FQCID
FIB: BUR:
17238206

CANAL RD.
(ASPHALT)

BELLAIRE BLVD.
(ASPHALT)

S WATERLAKE DR.
(ASPHALT)

UNDERGROUND UTILITIES HAVE BEEN PLOTTED FROM AVAILABLE RECORDS AND
FIELD OBSERVATIONS BUT ARE NOT NECESSARILY EXACT. IT IS THE CONTRACTORS
RESPONSIBILITY TO FIELD LOCATE ALL UNDERGROUND OBSTRUCTIONS AND
UTILITIES PRIOR TO CONSTRUCTION. COMPLETE REPAIR OF ANY AND ALL
DAMAGES INCURRED SHALL BE AT THE EXPENSE OF THE CONTRACTOR.

NOTE:
THE CONTRACTOR SHALL FIELD VERIFY AND LOCATE
ALL EXISTING UTILITIES PRIOR TO CONSTRUCTION."

RIGHT OF WAY LINES WERE ESTABLISHED BY RESEARCH OF PUBLIC INFORMATION.
NO BOUNDARY SURVEY OR PROPERTY LINE SURVEY WAS ESTABLISHED. RIGHT OF
WAY BOUNDARY MUST BE FIELD VERIFIED BY A REGISTERED PROFESSIONAL LAND
SURVEYOR TO ACCURATELY VERIFY RIGHT OF WAY AND PROPERTY LINES PRIOR
TO CONSTRUCTION.

Know what's below.
Call before you dig.
CALL BEFORE YOU DIG
1-800-545-6005
48 HOURS NOTICE REQUIRED

PROJECT: 1706ANBE.005
RICHMOND, TX
PEACANGROVE TO OVER EASY

CLARIFICATION NO.	QUANTITY
PLACE (24"X36"X24") HH	2
PLACE (17"X30"X36") HH	-
PROP. 1-2" HDPE	800
PULL 1-144F (A) CABLE	950'
PULL 1-144F (DE) CABLE	-
PLACE 6M STRAND	-
LASH 1-144F CABLE	-
DOWN GUY & ANCHOR	-
RISER: 2" U GUARD	-
PLACE MARKER	2



MCImetro
ACCESS TRANSMISSION SERVICES
CORPORATION

OUTSIDE PLANT CONSTRUCTION

TITLE: FIBER OPTIC ROUTE
PEACANGROVE TO OVEREASY
RICHMOND, TX

DATE: 10/02/18
ENGINEER: L. STALCUP
DRAWN BY: T.P.G. (KIB)

REVISIONS

No.	DATE	DESCRIPTION	BY
1.	-	-	-

EXCEPT AS MAY BE OTHERWISE PROVIDED BY
CONTRACT, THESE DRAWINGS AND SPECIFICATIONS
SHALL REMAIN THE PROPERTY OF MCI
COMMUNICATIONS SERVICES INC. BOTH BEING
ISSUED IN STRICT CONFIDENCE AND SHALL NOT BE
REPRODUCED, COPIED, OR USED FOR ANY
PURPOSE WITHOUT SPECIFIC WRITTEN PERMISSION.

SCALE
HORIZONTAL: 1"= 50'
VERTICAL: 1"= N/A
MP _____ TO MP _____
SHEET 128 OF 129
FILE: 1706ANBE.005 0128

NOTE:
PROP. 4'X4' BORE PITS
AT EACH HH LOCATION

NOTE:
CONTRACTOR TO MAINTAIN 60" MIN. DEPTH CROSSING
OF ROADWAYS, DRIVEWAYS, AND CULVERTS.

NOTE:
MAINTAIN 4' MINIMUM
SEPARATION FROM EOP/BOC.

RICHMOND, TX
FORT BEND COUNTY

CAUTION !!!!
CONTRACTOR TO LOCATE &
VERIFY ALL EXISTING UTILITIES
PRIOR TO CONSTRUCTION

CAUTION!!!
EXIST. BURIED FIBER, TELEPHONE, CATV, GAS, ELECTRIC, WATER,
SANITARY SEWER & STORM SEWER FACILITIES IN CONSTRUCTION AREA
AND HAVE NOT BEEN FIELD LOCATED, CONTRACTOR TO VERIFY EXACT
LOCATION AND DEPTH PRIOR TO ANY DIGGING AND/OR BORING.



PROJECT: 1706ANBE.005
RICHMOND, TX
PEACAN GROVE TO OVER EASY

CLARIFICATION NO.	QUANTITY
PLACE (24"X36"X24") HH	1
PLACE (17"X30"X36") HH	-
PROP. 1-2" HDPE	162
PULL 1-144F (A) CABLE	437
PULL 1-144F (DE) CABLE	-
PLACE 6M STRAND	-
LASH 1-144F CABLE	-
DOWN GUY & ANCHOR	-
RISER: 2" U GUARD	-
PLACE MARKER	1



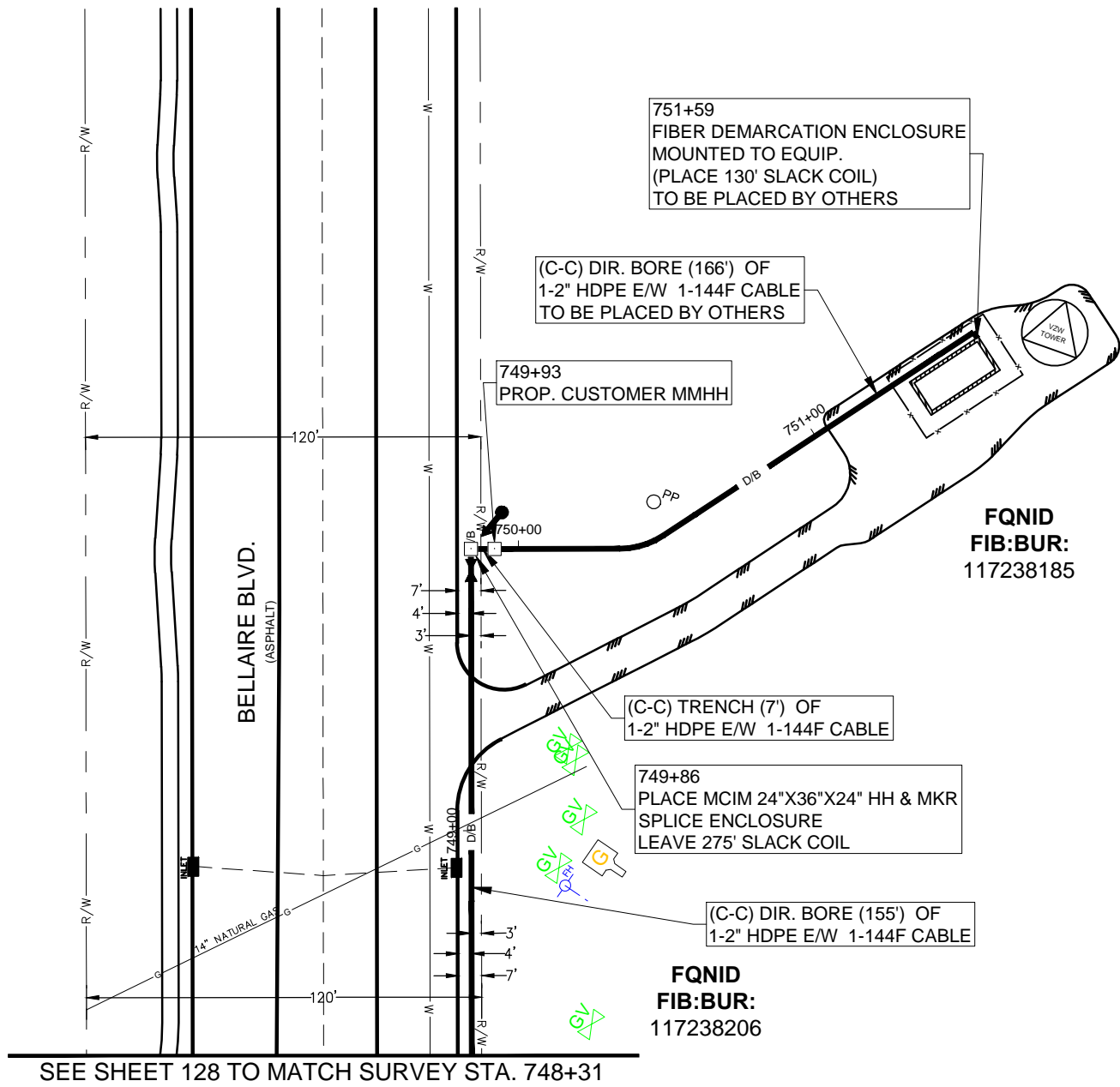
MCImetro
ACCESS TRANSMISSION SERVICES
CORPORATION
OUTSIDE PLANT CONSTRUCTION
TITLE: FIBER OPTIC ROUTE
PEACANGROVE TO OVEREASY
RICHMOND, TX

DATE: 10/02/18
ENGINEER: L. STALCUP
DRAWN BY: T.P.G. (KIB)

REVISIONS			
No.	DATE	DESCRIPTION	BY
1.	-	-	-

EXCEPT AS MAY BE OTHERWISE PROVIDED BY
CONTRACT, THESE DRAWINGS AND SPECIFICATIONS
SHALL REMAIN THE PROPERTY OF MCI
COMMUNICATIONS SERVICES INC. BOTH BEING
ISSUED IN STRICT CONFIDENCE AND SHALL NOT BE
REPRODUCED, COPIED, OR USED FOR ANY
PURPOSE WITHOUT SPECIFIC WRITTEN PERMISSION.

SCALE
HORIZONTAL: 1" = 50'
VERTICAL: 1" = N/A
MP _____ TO MP _____
SHEET 129 OF 129
FILE: 1706ANBE.005 0129



NOTE:
THE CONTRACTOR SHALL FIELD VERIFY AND LOCATE
ALL EXISTING UTILITIES PRIOR TO CONSTRUCTION."

UNDERGROUND UTILITIES HAVE BEEN PLOTTED FROM AVAILABLE RECORDS AND
FIELD OBSERVATIONS BUT ARE NOT NECESSARILY EXACT. IT IS THE CONTRACTORS
RESPONSIBILITY TO FIELD LOCATE ALL UNDERGROUND OBSTRUCTIONS AND
UTILITIES PRIOR TO CONSTRUCTION. COMPLETE REPAIR OF ANY AND ALL
DAMAGES INCURRED SHALL BE AT THE EXPENSE OF THE CONTRACTOR.

RIGHT OF WAY LINES WERE ESTABLISHED BY RESEARCH OF PUBLIC INFORMATION.
NO BOUNDARY SURVEY OR PROPERTY LINE SURVEY WAS ESTABLISHED. RIGHT OF
WAY BOUNDARY MUST BE FIELD VERIFIED BY A REGISTERED PROFESSIONAL LAND
SURVEYOR TO ACCURATELY VERIFY RIGHT OF WAY AND PROPERTY LINES PRIOR
TO CONSTRUCTION.

CALL BEFORE YOU DIG
1-800-545-6005
48 HOURS NOTICE REQUIRED