



**REVIEW BY FORT BEND COUNTY
COMMISSIONERS COURT**

**Fort Bend County
Engineering Department**
301 Jackson Suite 401
Richmond, Texas 77469
281.633.7500
Permits@fortbendcountytx.gov

Right of Way Permit

Commercial Driveway Permit

Permit No: 2018-23570

Applicant: MCI Metro Access Transmission Services Corp.

Job Location Site: 19711 FM 1093, Richmond, TX 77407

Bond No. **Date of Bond:** 5/1/2017 **Amount:** \$50,000.00

The above applicant came to make use of certain Fort Bend County property subject to, "The Order Regulating the Laying, Construction, Maintenance, and Repair of Buried Cables, Conduits, and Pole Lines, In, Under, Across or Along Roads, Streets, Highways, and Drainage Ditches in Fort Bend County, Texas, Under the Jurisdiction of the Commissioners Court of Fort Bend County, Texas," as passed by the Commissioners Court of Fort Bend County, Texas, of the Minutes of the Commissioners Court of Fort Bend County, Texas, to the extent that such order is not inconsistent with Chapter 181, Vernon's Texas Statutes and Codes Annotated.

Notes:

1. Evidence of review by the Commissioners Court must be kept on the job site and failure to do so constitutes grounds for job shutdown.
2. Written notices are required:
 - a. 48 hours in advance of construction start up, and
 - b. When construction is completed and ready for final inspection, submit notification to Permit Administrator thru MyGovernmentOnline.org portal.
3. This permit expires one (1) year from date of permit if construction has not commenced.
4. This permit applies to work performed within right-of-ways owned and maintained by Fort Bend County only, and it is the responsibility of the applicant to acquire all other necessary permits.

On this 6th day of November, 2018, Upon Motion of Commissioner _____, seconded by Commissioner _____, duly put and carried, it is ORDERED, ADJUDGED AND DECREED that said notice of said above purpose is hereby acknowledged by the Commissioners Court of Fort Bend County, Texas, and that said notice be placed on record according to the regulation order thereof.

Signature

By: 
County Engineer

Presented to Commissioners Court and approved.

Date Recorded _____ Comm. Court No. _____

Clerk of Commissioners Court

By: N/A
Drainage District Engineer/Manager

By: _____
Deputy



**PERMIT APPLICATION REVIEW FORM FOR
CABLE, CONDUIT, AND POLE LINE ACTIVITY
IN FORT BEND COUNTY**

**Fort Bend County
Engineering Department**
301 Jackson Suite 401
Richmond, Texas 77469
281.633.7500
Permits@fortbendcountytx.gov

- Right of Way Permit**
 Commercial Driveway Permit

Permit No: 2018-23570

The following "Notice of Proposed Cable, Conduit, and/or Pole Line activity in Fort Bend County" and accompanying attachments have been reviewed and the notice conforms to appropriate regulations set by Commissioner's Court of Fort Bend County, Texas.

(1) COMPLETE APPLICATION FORM:

- a. Name of road, street, and/or drainage ditch affected.
 b. Vicinity map showing course of directions
 c. Plans and specifications

(2) BOND:

- County Attorney, approval when applicable.
- Perpetual bond currently posted. Bond No: Amount: \$50,000.00
- Performance bond submitted. Bond No: Amount:
- Cashier's Check Check No: Amount:

(3) DRAINAGE DISTRICT APPROVAL (WHEN APPLICABLE):

Drainage District Approval

Date

We have reviewed this project and agree it meets minimum requirements.



Permit Administrator

10/29/2018

Date

MCImetro
ACCESS TRANSMISSION SERVICES CORPORATION

OUTSIDE PLANT CONSTRUCTION
FIBER OPTIC CABLE ROUTE

ECC FIBER BUILD: 1706ANBE.004
PECAN GROVE TO HOUGHTON
RICHMOND, TX. 77407

CROSSING FM-1093 AT THE INTERSECTION OF FM-1093
HOUGHTON RD.

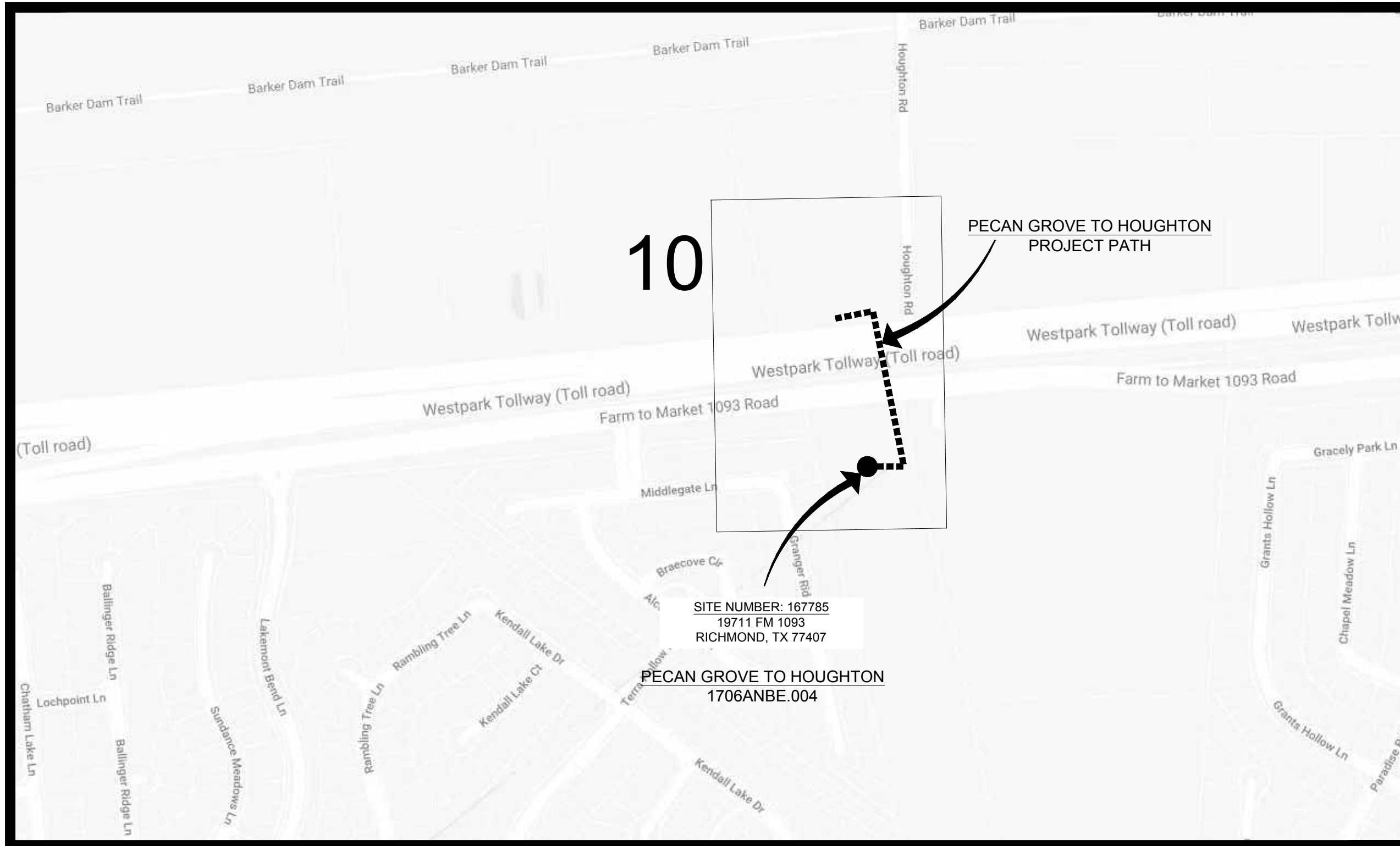
SITE CODE: HODATX
PROJECT STATUS: CONSTRUCTION

DATE: 09/05/18

NOTE:
CONTRACTOR YOU ARE TO CALL THE TxDOT INSPECTOR
NOTED ON THE APPROVED PERMIT 48 HOURS PRIOR TO
THE START OF CONSTRUCTION.

NOTE:
CONTRACTOR IS REQUIRED TO CONTACT TxDOT DISTRICT TRAFFIC SIGNAL SHOP
AT 817-370-3661 FOR LINE LOCATES IF BURIED PORTION OF THIS WORK
IS NEAR TxDOT TRAFFIC SIGNALS

LOCATION MAP
 RICHMOND, TX
 FORT BEND COUNTY



SITE NUMBER: 167785
 19711 FM 1093
 RICHMOND, TX 77407

PECAN GROVE TO HOUGHTON
 1706ANBE.004

PROJECT: 1706ANBE.004
 RICHMOND, TX
 PECAN GROVE TO HOUGHTON



MCI metro
 ACCESS TRANSMISSION SERVICES
 CORPORATION
 OUTSIDE PLANT CONSTRUCTION
 TITLE: FIBER OPTIC ROUTE
 PECAN GROVE TO HOUGHTON
 RICHMOND, TX

DATE: 09/05/18
 ENGINEER: L. STALCUP
 DRAWN BY: T.P.G. (KIB)

REVISIONS			
No.	DATE	DESCRIPTION	BY
1.	-	-	-

EXCEPT AS MAY BE OTHERWISE PROVIDED BY CONTRACT, THESE DRAWINGS AND SPECIFICATIONS SHALL REMAIN THE PROPERTY OF MCI COMMUNICATIONS SERVICES INC. BOTH BEING ISSUED IN STRICT CONFIDENCE AND SHALL NOT BE REPRODUCED, COPIED, OR USED FOR ANY PURPOSE WITHOUT SPECIFIC WRITTEN PERMISSION.

MAP LINE LEGEND

- PROPOSED BURIED CABLE
- PROPOSED AERIAL CABLE

SCALE
 HORIZONTAL: 1"= 50'
 VERTICAL: 1"= N/A
 MP _____ TO MP _____
 SHEET 2 OF 11
 FILE: 1706ANBE.005 02 A

CONTACT SHEET

MCI

PROJECT ENGINEER:
PROJECT MANAGER:
PROJECT COORDINATOR:

OUTSIDE PLANT CONSTRUCTION:

CONSTRUCTION CONTRACTOR: ERVIN CABLE CONSTRUCTION 844-322-2524
CONSTRUCTION MANAGER: AURELIO MALLAMANCE 270-349-0337

AGENT:
MANAGER:

COORDINATOR:
MANAGER:

PROGRAM MANAGER:
LIGHTWAVE ENGINEER:
CIVIL ENGINEER:
TERMINAL CONST. REP.:
SPLICING MANAGER:
TSO MANAGER:

ENGINEERING CONTRACTOR

RAILROADS

UNION PACIFIC RAILROAD DANIEL PETERS 402-544-8620

UTILITIES

MCI UTILITY LOCATE 1-800-624-9675

TEXAS ONE CALL SYSTEM (UTILITY LOCATES) 1-800-545-6005

NON MEMBERS:

CITY GOVERNMENT

RICHMOND PUBLIC WORKS DEPARTMENT
600 MORTON STREET , RICHMOND TEXAS
PUBLIC WORKS - 281-342-0559
CITY ENGINEER - KELLY KALUZA

COUNTY GOVERNMENT

STATE GOVERNMENT

FEDERAL GOVERNMENT

N/A

OTHER

N/A

PROJECT: 1706ANBE.004

RICHMOND, TX

PECAN GROVE TO HOUGHTON



MCI metro
ACCESS TRANSMISSION SERVICES
CORPORATION

OUTSIDE PLANT CONSTRUCTION

TITLE: FIBER OPTIC ROUTE
PECANGROVE TO HOUGHTON
RICHMOND, TX

DATE: 09/05/18

ENGINEER: L. STALCUP

DRAWN BY: T.P.G. (KIB)

REVISIONS

No.	DATE	DESCRIPTION	BY
1.	-	-	-

EXCEPT AS MAY BE OTHERWISE PROVIDED BY CONTRACT, THESE DRAWINGS AND SPECIFICATIONS SHALL REMAIN THE PROPERTY OF MCI COMMUNICATIONS SERVICES INC. BOTH BEING ISSUED IN STRICT CONFIDENCE AND SHALL NOT BE REPRODUCED, COPIED, OR USED FOR ANY PURPOSE WITHOUT SPECIFIC WRITTEN PERMISSION.

SCALE

HORIZONTAL: 1"= 50'

VERTICAL: 1"= N/A

MP _____ TO MP _____

SHEET 3 OF 11

FILE: 1706ANBE.005 03 A

GENERAL NOTES / CLARIFICATION NOTES

GENERAL NOTES

1. VERIZON BUSINESS COMPRISES THE FOLLOWING OPERATING ENTITIES:
 - MCI COMMUNICATIONS SERVICES, INC.
 - MCI METRO COMMUNICATIONS SERVICES, INC.
 - MCI METRO ACCESS TRANSMISSION SERVICES OF VIRGINIA, INC.
 - MCI METRO ACCESS TRANSMISSION SERVICES OF MASSACHUSETTS, INC.
 - METROPOLITAN FIBER SYSTEMS OF NEW YORK, INC.
2. ALL WORK TO BE PERFORMED IN STRICT ACCORDANCE WITH THE APPLICABLE CODES OR REQUIREMENTS OF ANY REGULATING GOVERNMENTAL AGENCY, VERIZON BUSINESS AND THE RIGHT-OF-WAY GRANTOR.
3. LOCATIONS OF SOME OF THE PHYSICAL FEATURES WERE OBTAINED FROM DATED RAILROAD EVALUATION MAPS OR OTHER DRAWINGS AND MAY NOT BE AS SHOWN OR DEPICTED ON THESE DRAWINGS.
4. UNDERGROUND UTILITIES HAVE BEEN PLOTTED FROM AVAILABLE RECORDS AND FIELD OBSERVATIONS BUT ARE NOT NECESSARILY EXACT. THEREFORE, UTILITY LOCATIONS WILL BE VERIFIED AT LEAST 100 FEET IN ADVANCE OF TRENCHING OR PLOWING, SO THAT CHANGES IN CABLE PLACEMENT CAN BE MADE IN THE EVENT OF CONFLICT.
5. ALL KNOWN BURIED OBSTRUCTIONS ARE SHOWN ON THE CONSTRUCTION DRAWINGS. ANY AND ALL OTHERS ENCOUNTERED ARE ALSO THE RESPONSIBILITY OF THE CONTRACTOR TO LOCATE, PROTECT AND REPAIR IF DAMAGED.
6. ANY AND ALL IMPROVEMENTS, SUCH AS ASPHALT OR CONCRETE PAVEMENT, CURBS, GUTTERS, WALKS, DRAINAGE DITCHES, EMBANKMENTS, SHRUBS, TREES, GRASS SOD, ETC., IF DAMAGED, SHALL BE RESTORED TO ORIGINAL CONDITION.
7. EQUIPMENT TYPES SPECIFIED HEREIN (IE: "BACKHOE", SWAMP PLOW" ETC.) ARE SUGGESTIONS ONLY AND ARE NOT INTENDED AS REQUIREMENTS. CONTRACTOR WILL BE NOTIFIED AS TO EXPECTATIONS.
8. SHORING OF BORE PITS AND TRENCHES IN ACCORDANCE WITH OSHA REGULATIONS IS MANDATORY.
9. BURIED CABLE MARKERS WILL BE PLACED AT ALL UNDERGROUND UTILITY LOCATIONS AND ALL OTHER LOCATIONS IN ACCORDANCE WITH THE CONSTRUCTION DRAWINGS AND THE OUTSIDE PLANT HANDBOOK.
10. ALL 4" ID CONDUIT WILL BE SCHEDULE 40 (EG.: PVC OR GSP/BSP), OR AS SPECIFIED.
11. UNDERGROUND CONDUIT WILL BE PLACED AT 48" MINIMUM COVER UNLESS OTHERWISE SPECIFIED ON THE CONSTRUCTION DRAWINGS.

CLARIFICATION NOTES

- | | |
|----|--|
| 1. | STATION |
| 2. | LOCATION |
| 3. | CLARIFICATION NO. AND MINIMUM COVER |
| 4. | QUANTITY LINEAR FOOTAGE/SQUARE FOOTAGE, SIZE OF MANHOLE/HANDHOLE SIZE OF PULL/SPLICE BOX, DIMENSION OF WALL, HEIGHT/CLASS/TYPE OF POLE |
| 5. | TYPICAL DRAWING NO. AND TYPICAL DETAIL DRAWING NUMBER |
| 6. | PLANT ACCOUNTING CODE |
| 7. | SPECIFIED CONDUIT, HANDHOLE/MANHOLE NO., SPECIFIED PURPOSE AND MATERIAL, BRIDGE NO. AND RAILROAD STATION, MATERIAL, POLE NO. |

ADDENDUM NOTES

CLARIFICATION NOTES (CONTINUED)

- | | | |
|-----|-----|---|
| 100 | 110 | JACK AND DRY BORE CONDUIT(S) |
| 200 | 210 | PLACE CONDUIT |
| | 212 | PLACE HIGH DENSITY POLYETHYLENE (HDPE) |
| | 213 | ROCK ADDER |
| | 214 | SLURRY BACKFILL ADDER |
| | 215 | EXPOSE CONDUIT |
| | 216 | EXPOSE CONDUIT AND RELOCATE |
| | 217 | EXPOSE CONDUIT AND REPLACE/SUBSTITUTE |
| | 218 | EXPOSE AND REMOVE CONDUIT |
| | 219 | EXPOSE AND REMOVE CONDUIT (ABANDONED) |
| | 220 | CONCRETE ENCASE |
| | 221 | REMOVE CONCRETE ENCASMENT |
| | 222 | REMOVE CONCRETE CAP |
| | 240 | PLACE HANDHOLE |
| | 244 | REMOVE EXISTING HANDHOLE |
| | 245 | RELOCATE HANHOLE |
| | 246 | REPLACE/SUBSTITUTE HANDHOLE |
| | 247 | EXCAVATE SPLICE PIT |
| | 250 | PLACE MANHOLE |
| | 252 | REMOVE EXISTING MANHOLE |
| | 255 | RELOCATE PRECAST MANHOLE |
| | 256 | REPLACE/SUBSTITUTE PRECAST MANHOLE |
| | 180 | CONSTRUCT WALL |
| | 270 | REMOVE AND RESTORE ASPHALT |
| | 280 | REMOVE AND RESTORE CONCRETE |
| | 281 | REMOVE AND RESTORE SIDEWALK |
| | 282 | REMOVE AND RESTORE CURBING |
| 300 | 310 | ATTACH CONDUIT TO WALL OR STRUCTURE |
| | 315 | DETACH CONDUIT FROM WALL OR STRUCTURE |
| | 320 | CORE BORE |
| | 330 | ATTACH PULL/SPLICE BOX TO WALL OR STRUCTURE |
| 400 | 410 | PULL CABLE |
| | 411 | PULL THROUGH DUCT (INNERDUCT) |
| | 415 | REMOVE CABLE FROM CONDUIT |
| | 420 | REPOSITION ACTIVE CABLE SLACK |
| 500 | 510 | DIRECT BURY CABLE |
| | 515 | EXPOSE DIRECT BURIED CABLE |
| | 516 | EXPOSE DIRECT BURIED CABLE AND RELOCATE |
| | 517 | REMOVE AND DISPOSE OF CABLE |
| | 520 | PLACE AERIAL CABLE |
| | 525 | RELOCATE AERIAL CABLE |
| | 518 | DELASH AERIAL CABLE |
| | 527 | RELASH AERIAL CABLE |
| | 528 | REMOVE AERIAL CABLE |
| | 530 | PLACE POLE/PUSH BRACE |
| | 535 | REMOVE POLE/PUSH BRACE |
| 600 | 610 | JETTING CONDUIT |
| | 620 | EMBEDMENT PLOW |
| | 630 | DIRECTIONAL BORE |
| 700 | 710 | PLACE BURIED CABLE MARKERS AND SIGNS/MWCOM WATER CROSSING SIGNS |
| | 711 | PLACE ISOLATOR/PROTECTION SYSTEM AT EXISTING HANDHOLES/MANHOLES |
| | 713 | REMOVE BURIED CABLE MARKER POST/HARDWARE |
| | 712 | REMOVE BURIED CABLE MARKER POST/HARDWARE |
| | 714 | REMOVE CONCRETE BURIED CABLE MARKER POST |

PROJECT: 1706ANBE.004
 RICHMOND, TX
 PECAN GROVE TO HOUGHTON



MCI metro
 ACCESS TRANSMISSION SERVICES
 CORPORATION
 OUTSIDE PLANT CONSTRUCTION
 TITLE: FIBER OPTIC ROUTE
 PEACANGROVE TO HOUGHTON
 RICHMOND, TX

DATE: 09/05/18
 ENGINEER: L. STALCUP
 DRAWN BY: T.P.G. (KIB)

REVISIONS			
No.	DATE	DESCRIPTION	BY
1.	-	-	-

EXCEPT AS MAY BE OTHERWISE PROVIDED BY CONTRACT, THESE DRAWINGS AND SPECIFICATIONS SHALL REMAIN THE PROPERTY OF MCI COMMUNICATIONS SERVICES INC. BOTH BEING ISSUED IN STRICT CONFIDENCE AND SHALL NOT BE REPRODUCED, COPIED, OR USED FOR ANY PURPOSE WITHOUT SPECIFIC WRITTEN PERMISSION.

SCALE

HORIZONTAL: 1"= 50'
 VERTICAL: 1"= N/A

MP _____ TO MP _____
 SHEET 4 OF 11

FILE: 1706ANBE.005 04 A

SYMBOLS KEY

	EXISTING	PROPOSED
DIRECT BURIED CABLE		
AERIAL CABLE		
SUBMARINE CABLE		
FOGWIRE CABLE		
DIRECT BURIED HDPE		
PVC OR SPLIT PVC CONDUIT		
BSP/GSP OR SPLIT BSP/GSP CONDUIT		
STEEL CASING		
REMOVE AND RESTORE ASPHALT OR CONCRETE (WIDTH AS INDICATED)		
CORE BORE		
JACK AND BORE		
DIRECTIONAL BORE (& PLACE CONDUIT)		
FUTURE CABLE		
REMOVE CABLE		
TO BE REMOVED OR ABANDONED (SHOWN FOR HDPE)		
AERIAL UTILITY (ELECTRIC)		
UNDERGROUND UTILITY (TELEPHONE)		
MAIN TRACKS		
AUXILLARY TRACKS		
CENTERLINE		
RIGHT-OF-WAY		
EDGE OF ROADWAY (GENERIC)		
EDGE OF PAVEMENT		
BACK OF CURB		
DITCH LINE		
TAX, CITY, COUNTY, OR STATE BOUNDARY LINE		
PROPERTY LINE		
FENCE LINE		
GUARDRAIL		
TOP OF SLOPE		
TOE OF SLOPE		

STEEL MARKER AND SIGN-(A)
 ALUMINUM "HUB"-STYLE MARKER-(B)
 FLAT MARKER-(C)
 TUBULAR MARKER-(D)
 TUBULAR MARKER, & ISOLATOR PROTECTOR-(E)

MILE POST MARKER
 NOTE:
 DASHED = NOT FOUND IN FIELD

PERMIT TRACKING FORM IDENTIFIER

ROCK PROBE (DEPTH AS INDICATED)

UTILITY COVER DEPTH

HANDHOLE, MANHOLE OR PULLBOX

POLE

ANCHOR ONLY

GUY ONLY

OVERHEAD GUY (ARROW IN DIRECTION OF PULL)

ANCHOR AND GUY

SIDEWALK ANCHOR AND GUY

FOREIGN ANCHOR AND GUY

PUSH BRACE (EXISTING POLE)

ACCOUNT CODE CHANGE (BURIED TO AERIAL)

RISER ATTACHMENT LOCATION

BOND AND GROUND

CULVERT (SIZE AS INDICATED)

BRIDGE

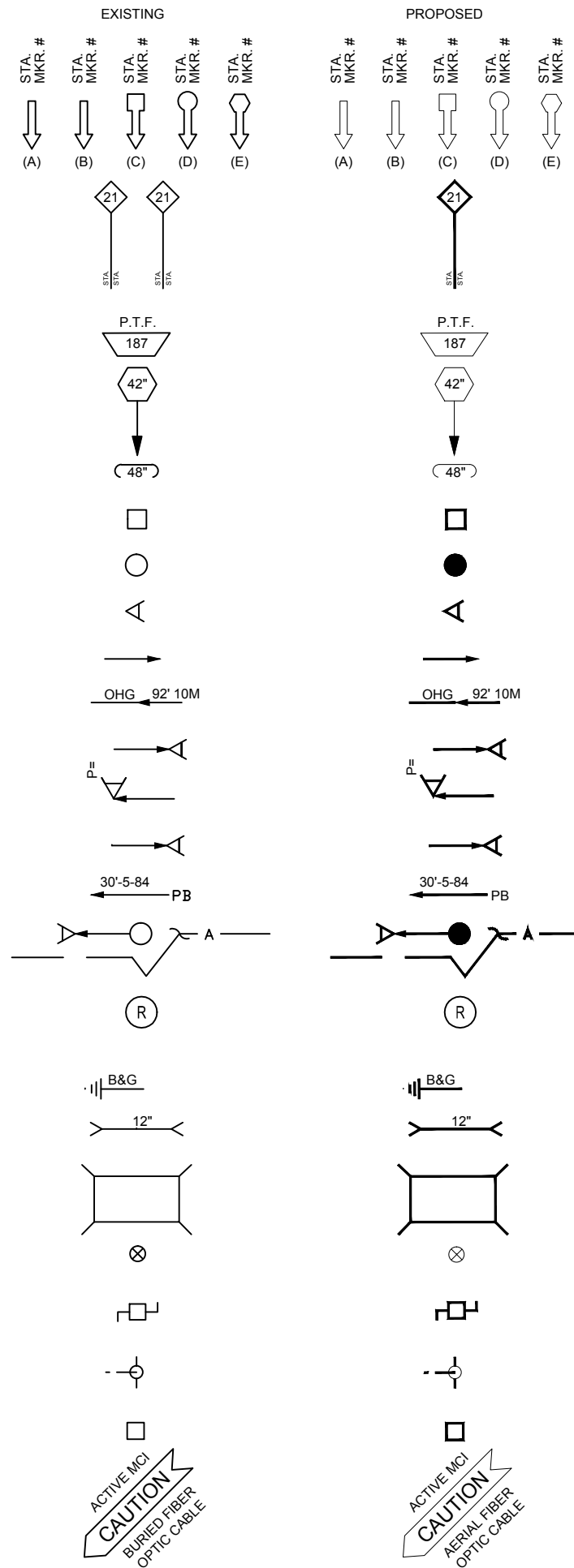
WATER METER

GAS VALVE

FIRE HYDRANT

RAILROAD SIGNAL CONTROL BOX

CAUTION NOTE



PROJECT: 1706ANBE.004

RICHMOND, TX

PECAN GROVE TO HOUGHTON



MCImetro
 ACCESS TRANSMISSION SERVICES
 CORPORATION
 OUTSIDE PLANT CONSTRUCTION
 TITLE: FIBER OPTIC ROUTE
 PECAN GROVE TO HOUGHTON
 RICHMOND, TX

DATE: 09/05/18

ENGINEER: L. STALCUP

DRAWN BY: T.P.G. (KIB)

REVISIONS

No.	DATE	DESCRIPTION	BY
1.	-	-	-

EXCEPT AS MAY BE OTHERWISE PROVIDED BY CONTRACT, THESE DRAWINGS AND SPECIFICATIONS SHALL REMAIN THE PROPERTY OF MCI COMMUNICATIONS SERVICES INC. BOTH BEING ISSUED IN STRICT CONFIDENCE AND SHALL NOT BE REPRODUCED, COPIED, OR USED FOR ANY PURPOSE WITHOUT SPECIFIC WRITTEN PERMISSION.

SCALE

HORIZONTAL: 1"= 50'

VERTICAL: 1"= N/A

MP _____ TO MP _____

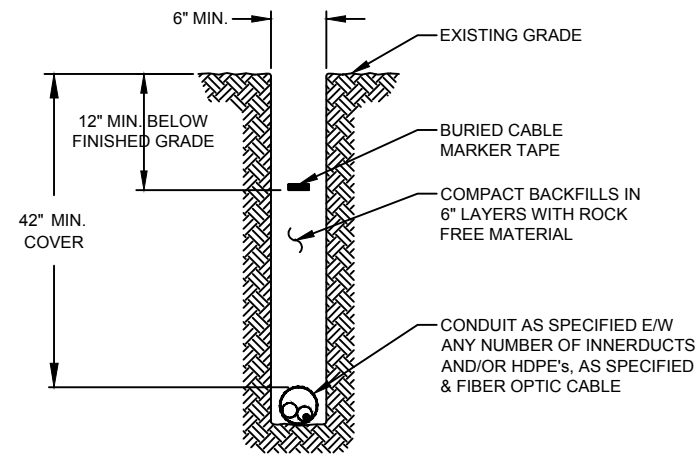
SHEET 6 OF 11

FILE: 1706ANBE.005 06 A

CONSTRUCTION DETAILS

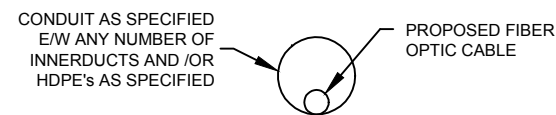
TYPICAL DETAIL "A"

TRENCH & PLACE CONDUIT



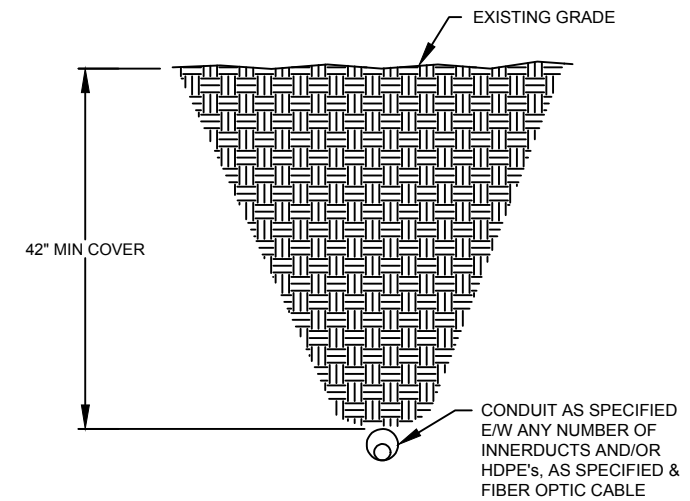
TYPICAL DETAIL "B"

CROSS SECTION OF PROPOSED HDPE



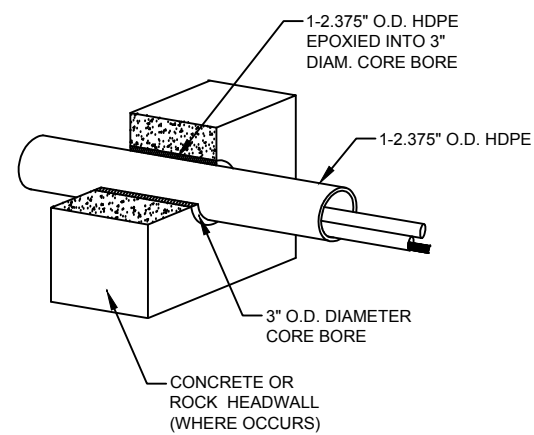
TYPICAL DETAIL "C"

DIRECTIONAL BORE CROSS SECTION FOR CONDUIT



TYPICAL DETAIL "D"

3" CORE BORE



NOTE:

EPOXY GROUT IS USED AT BOTH ENDS OF CORE BORE TO SEAL GAP BETWEEN 2.375" CONDUIT AND PVC SLEEVE.

PROJECT: 1706ANBE.004

RICHMOND, TX

PECAN GROVE TO HOUGHTON



MCImetro
ACCESS TRANSMISSION SERVICES
CORPORATION

OUTSIDE PLANT CONSTRUCTION

TITLE: FIBER OPTIC ROUTE
PECAN GROVE TO HOUGHTON
RICHMOND, TX

DATE: 09/05/18

ENGINEER: L. STALCUP

DRAWN BY: T.P.G. (KIB)

REVISIONS

No.	DATE	DESCRIPTION	BY
1.	-	-	-

EXCEPT AS MAY BE OTHERWISE PROVIDED BY CONTRACT, THESE DRAWINGS AND SPECIFICATIONS SHALL REMAIN THE PROPERTY OF MCI COMMUNICATIONS SERVICES INC. BOTH BEING ISSUED IN STRICT CONFIDENCE AND SHALL NOT BE REPRODUCED, COPIED, OR USED FOR ANY PURPOSE WITHOUT SPECIFIC WRITTEN PERMISSION.

SCALE

HORIZONTAL: 1"= 50'

VERTICAL: 1"= N/A

MP _____ TO MP _____

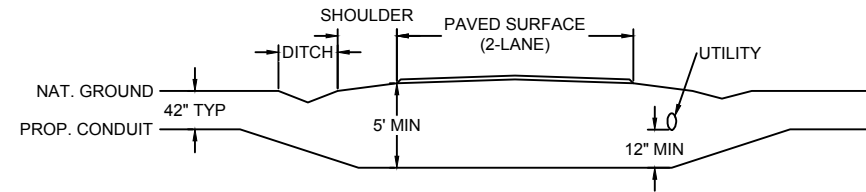
SHEET 7 OF 11

FILE: 1706ANBE.005 07 A

TYPICAL CROSSING PROFILE DETAILS: UNDERGROUND

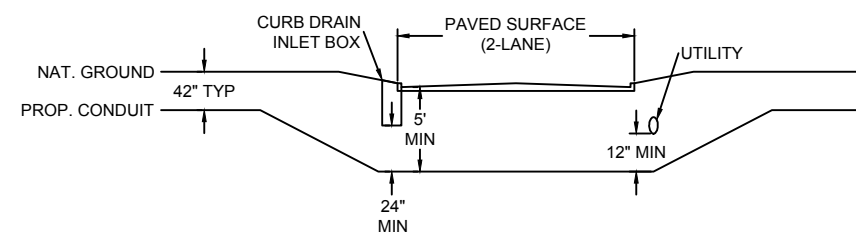
TYPICAL DETAIL "A"

TWO LANE - ASPHALT ROAD - NO CURB



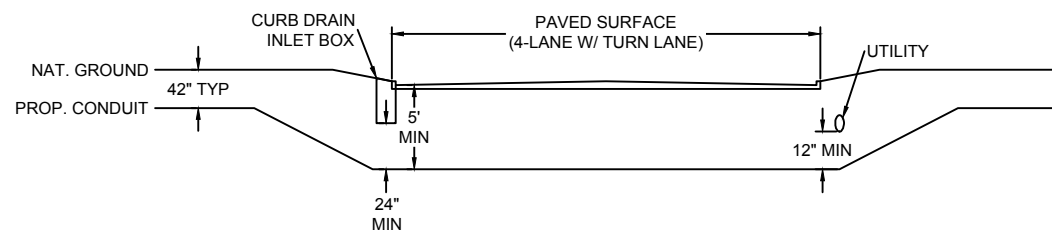
TYPICAL DETAIL "B"

TWO LANE - CURBED ROAD



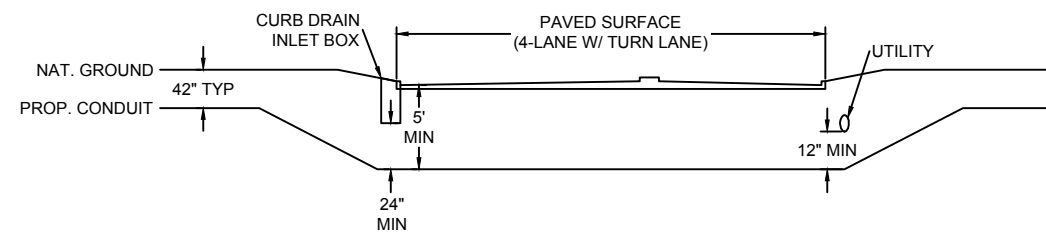
TYPICAL DETAIL "C"

FOUR LANE (W/ TURN LANE) - CURBED ROAD - NO MEDIAN



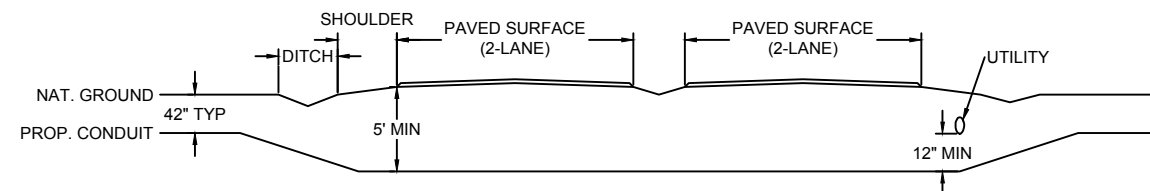
TYPICAL DETAIL "D"

FOUR LANE (W/ TURN LANE) - CURBED ROAD - WITH MEDIAN



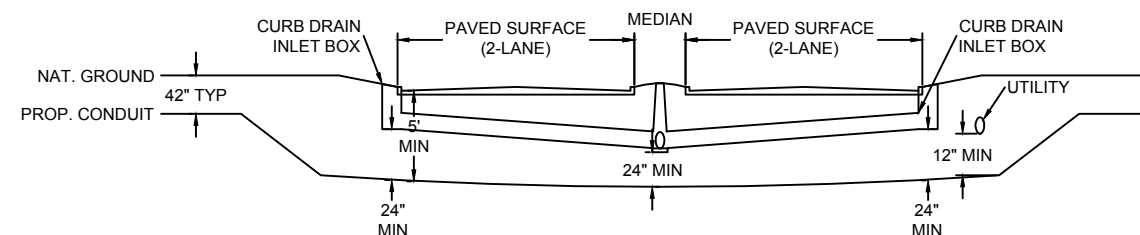
TYPICAL DETAIL "E"

4 LANE - SPLIT ASPHALT ROAD - NO CURB



TYPICAL DETAIL "F"

4 LANE - SPLIT CURBED ROAD



PROJECT: 1706ANBE.004

RICHMOND, TX

PECAN GROVE TO HOUGHTON



MCImetro
ACCESS TRANSMISSION SERVICES
CORPORATION

OUTSIDE PLANT CONSTRUCTION
TITLE: FIBER OPTIC ROUTE
PECAN GROVE TO HOUGHTON
RICHMOND, TX

DATE: 09/05/18

ENGINEER: L. STALCUP

DRAWN BY: T.P.G. (KIB)

REVISIONS

No.	DATE	DESCRIPTION	BY
1.	-	-	-

EXCEPT AS MAY BE OTHERWISE PROVIDED BY CONTRACT, THESE DRAWINGS AND SPECIFICATIONS SHALL REMAIN THE PROPERTY OF MCI COMMUNICATIONS SERVICES INC. BOTH BEING ISSUED IN STRICT CONFIDENCE AND SHALL NOT BE REPRODUCED, COPIED, OR USED FOR ANY PURPOSE WITHOUT SPECIFIC WRITTEN PERMISSION.

SCALE

HORIZONTAL: 1"= 50'

VERTICAL: 1"= N/A

MP _____ TO MP _____

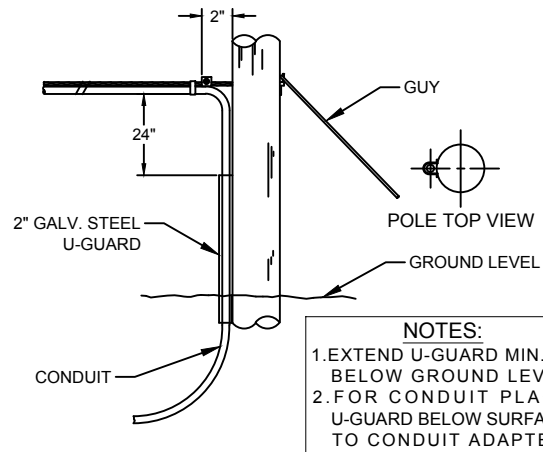
SHEET 7A OF 11

FILE: 1706ANBE.005 07AA

GENERAL AERIAL CONSTRUCTION DETAILS

TYPICAL DETAIL "A"

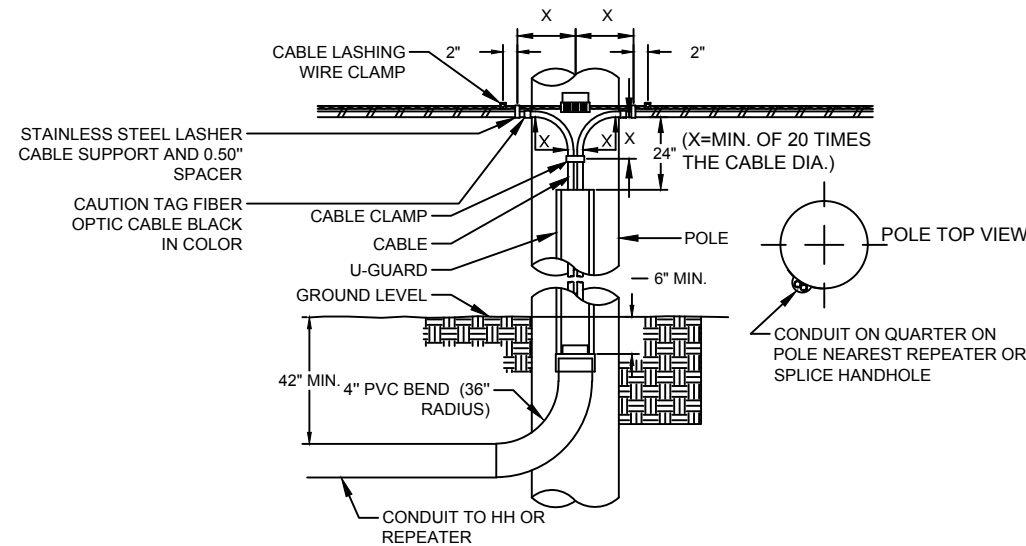
POLE ARRANGEMENT FOR AERIAL TO BURIED



NOTES:
 1. EXTEND U-GUARD MIN. 6" BELOW GROUND LEVEL
 2. FOR CONDUIT PLACE U-GUARD BELOW SURFACE TO CONDUIT ADAPTER.

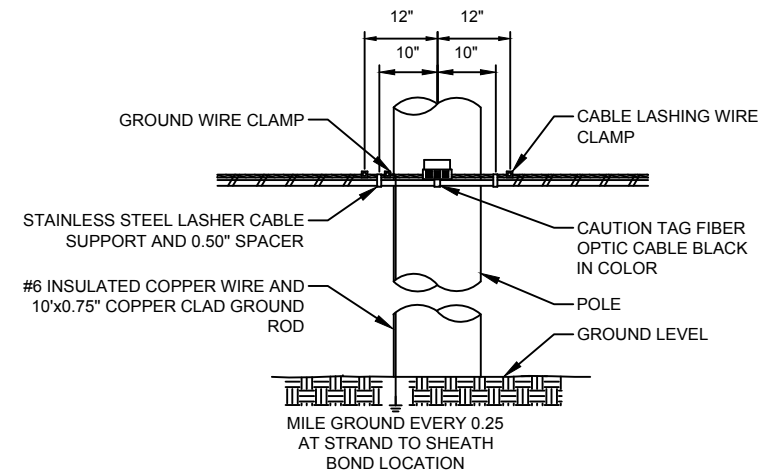
TYPICAL DETAIL "B"

POLE ARRANGEMENT FOR REPEATER OR HANDHOLE LOCATION



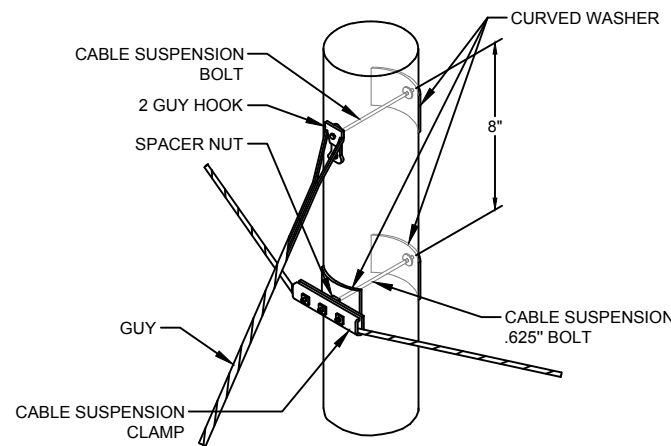
TYPICAL DETAIL "C"

TYPICAL CABLE & HARDWARE INSTALLATION



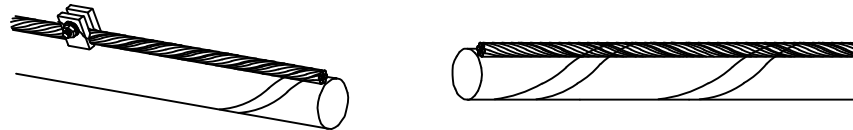
TYPICAL DETAIL "D"

SUSPENSION STRAND - PULL TOWARD POLE - LESS THAN 5 FEET



TYPICAL DETAIL "G"

JOINING 045 LASHING WIRE



FORMING WIRE OVER STUD OF CLAMP

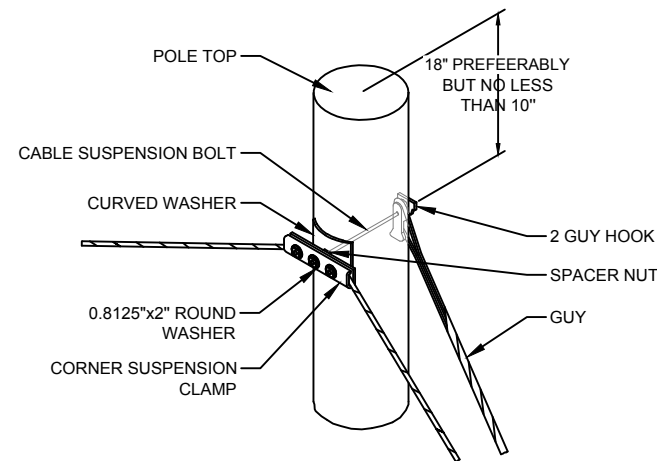
REMOVE ANY SLACK IN THE LASHING WIRE BY MAINTAINING A PULL ON THE WIRE AND TAPPING THE STRAND SHARPLY. THEN FORM THE WIRE OVER THE STUD AND TIGHTEN THE NUT. CUT THE FREE END OF THE LASHING WIRE OFF 0.75" BEYOND THE END OF THE CLAMP.

FORMING LASHING WIRE AROUND STRAND

FORM THE LASHING WIRE AROUND THE STRAND AND PLACE IT BELOW THE STUD AND BETWEEN THE SECOND WASHER AND STUD SHOULDER.

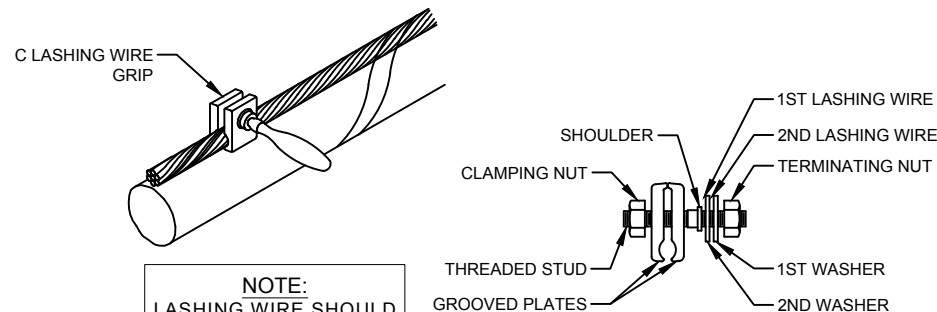
TYPICAL DETAIL "E"

SUSPENSION STRAND - PULL AWAY FROM POLE - 5 FEET OR MORE



TYPICAL DETAIL "H"

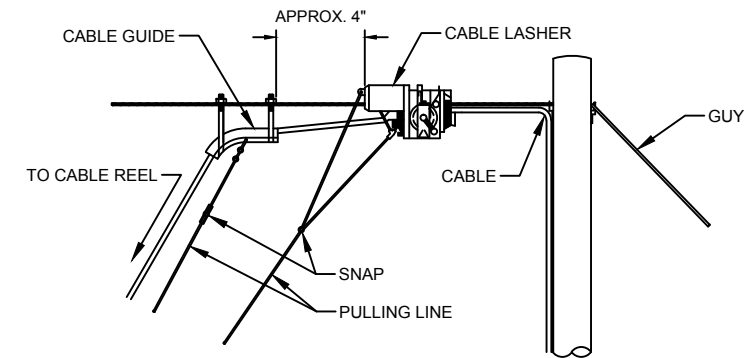
LASHING WIRE GRIP AND CLAMP



NOTE:
 LASHING WIRE SHOULD FOLLOW LAY OF STRAND WIRES UNDER GRIP.

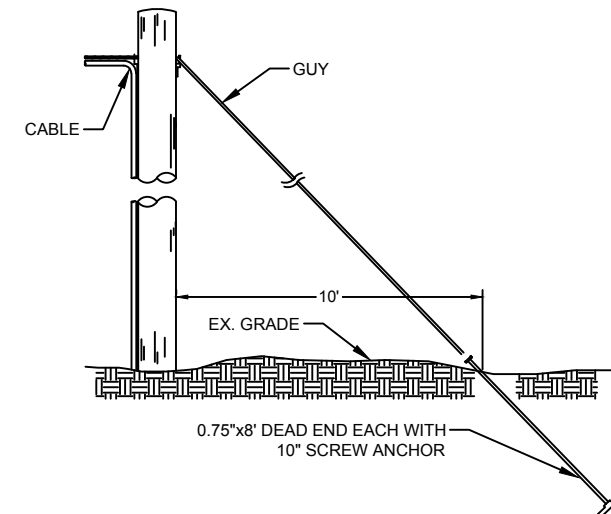
TYPICAL DETAIL "F"

TYPICAL ARRANGEMENT OF CABLE LASHER AND CABLE GUIDE



TYPICAL DETAIL "I"

ANCHOR & DOWN GUY



PROJECT: 1706ANBE.004
 RICHMOND, TX
 PECAN GROVE TO HOUGHTON



MCI metro
 ACCESS TRANSMISSION SERVICES CORPORATION
 OUTSIDE PLANT CONSTRUCTION
 TITLE: FIBER OPTIC ROUTE
 PEACANGROVE TO HOUGHTON
 RICHMOND, TX

DATE: 09/05/18
 ENGINEER: L. STALCUP
 DRAWN BY: T.P.G. (KIB)

REVISIONS			
No.	DATE	DESCRIPTION	BY
1.	-	-	-

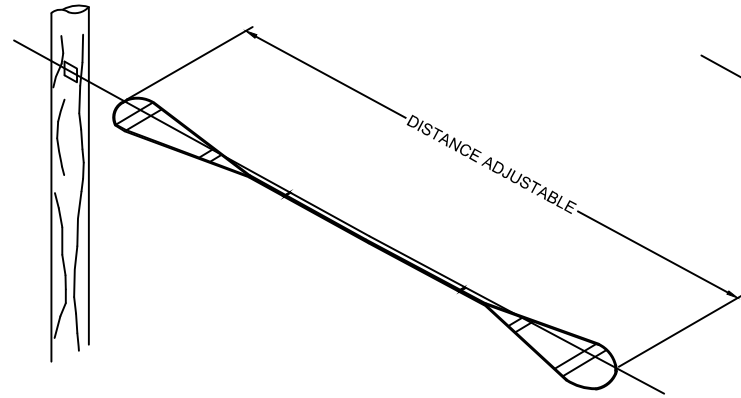
EXCEPT AS MAY BE OTHERWISE PROVIDED BY CONTRACT, THESE DRAWINGS AND SPECIFICATIONS SHALL REMAIN THE PROPERTY OF MCI COMMUNICATIONS SERVICES INC. BOTH BEING ISSUED IN STRICT CONFIDENCE AND SHALL NOT BE REPRODUCED, COPIED, OR USED FOR ANY PURPOSE WITHOUT SPECIFIC WRITTEN PERMISSION.

SCALE
 HORIZONTAL: 1"= 50'
 VERTICAL: 1"= N/A
 MP _____ TO MP _____
 SHEET 7B OF 11
 FILE: 1706ANBE.005 07BA

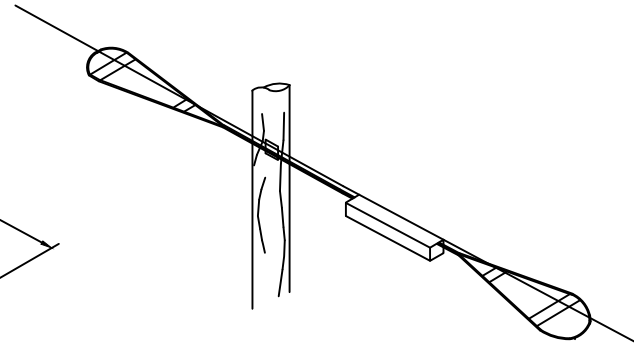
AERIAL IN-LINE SLACK STORAGE DETAILS

PROJECT: 1706ANBE.004
 RICHMOND, TX
 PECAN GROVE TO HOUGHTON

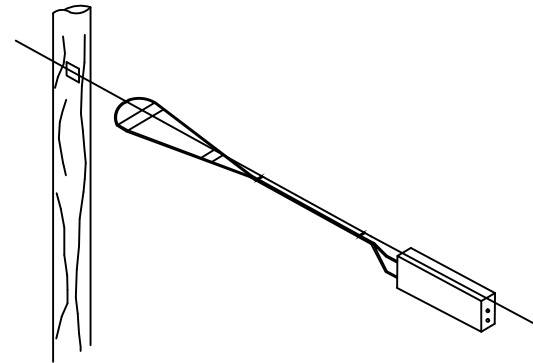
TYPICAL DETAIL "A"
 RESERVE CABLE LENGTH
 STRAND STORAGE APPLICATION



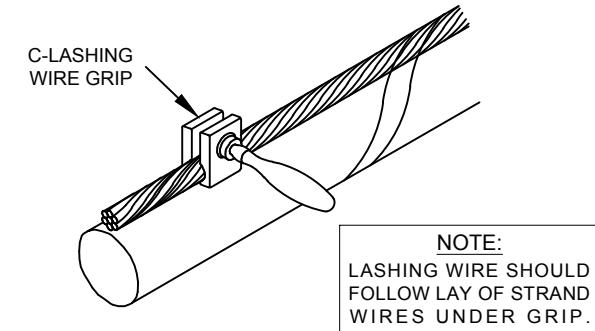
TYPICAL DETAIL "B"
 IN-LINE SPLICE APPLICATION



TYPICAL DETAIL "C"
 BUTT SPLICE APPLICATION



TYPICAL DETAIL "D"
 LASHING WIRE GRIP AND CLAMP C-LASHING
 WIRE GRIP INSTALLED ON STRAND



MCI/metro
 ACCESS TRANSMISSION SERVICES
 CORPORATION
 OUTSIDE PLANT CONSTRUCTION
 TITLE: FIBER OPTIC ROUTE
 PEACANGROVE TO HOUGHTON
 RICHMOND, TX

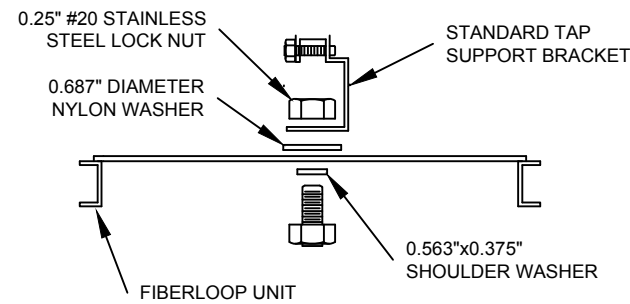
DATE: 09/05/18
 ENGINEER: L. STALCUP
 DRAWN BY: T.P.G. (KIB)

REVISIONS			
No.	DATE	DESCRIPTION	BY
1.	-	-	-

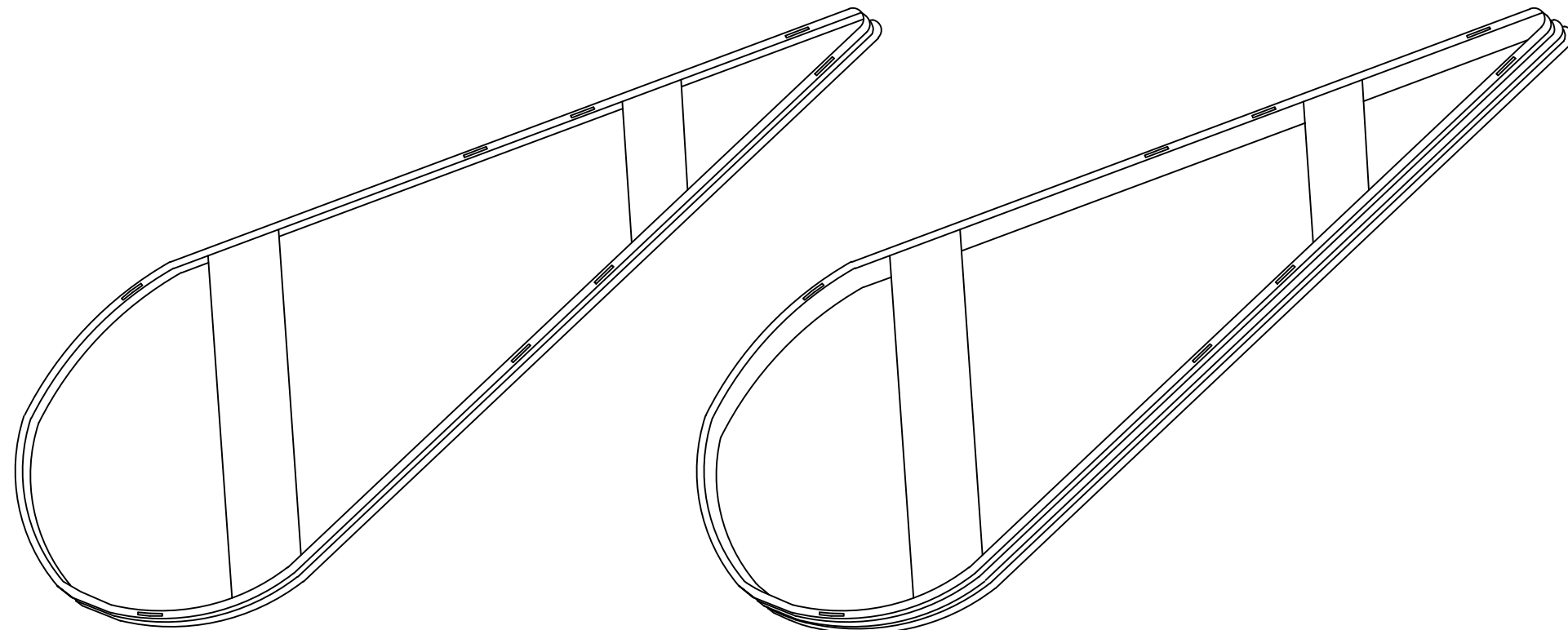
EXCEPT AS MAY BE OTHERWISE PROVIDED BY CONTRACT, THESE DRAWINGS AND SPECIFICATIONS SHALL REMAIN THE PROPERTY OF MCI COMMUNICATIONS SERVICES INC. BOTH BEING ISSUED IN STRICT CONFIDENCE AND SHALL NOT BE REPRODUCED, COPIED, OR USED FOR ANY PURPOSE WITHOUT SPECIFIC WRITTEN PERMISSION.

SCALE
 HORIZONTAL: 1"= 50'
 VERTICAL: 1"= N/A
 MP _____ TO MP _____
 SHEET 7C OF 11
 FILE: 1706ANBE.005 07CA

TYPICAL DETAIL "E"
 HARDWARE KIT



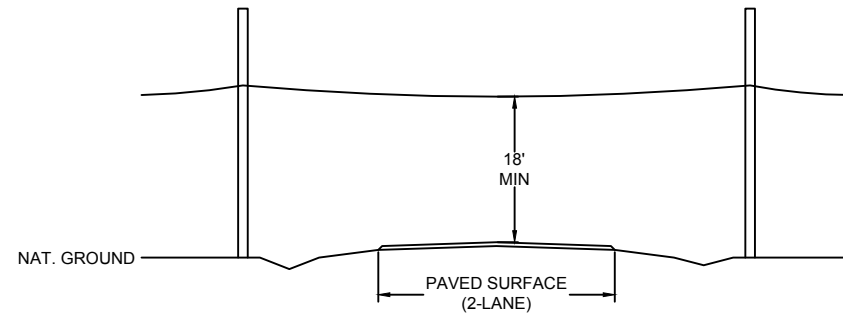
TYPICAL DETAIL "F"
 SINGLE & DOUBLE FIBER LOOPS



TYPICAL CROSSING PROFILE DETAILS: AERIAL

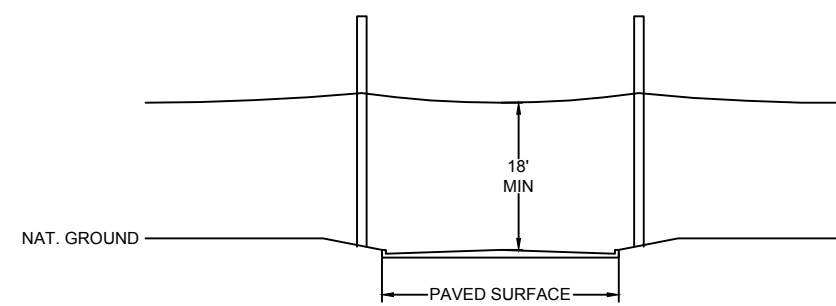
TYPICAL DETAIL "A"

TWO LANE - ASPHALT ROAD - NO CURB



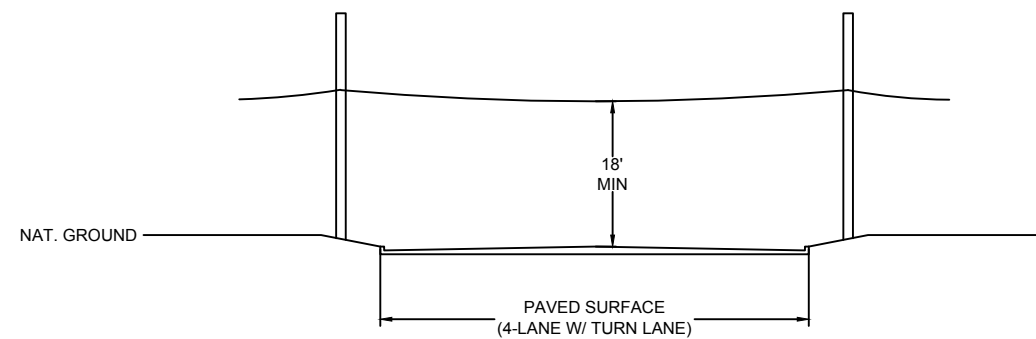
TYPICAL DETAIL "B"

TWO LANE - CURBED ROAD



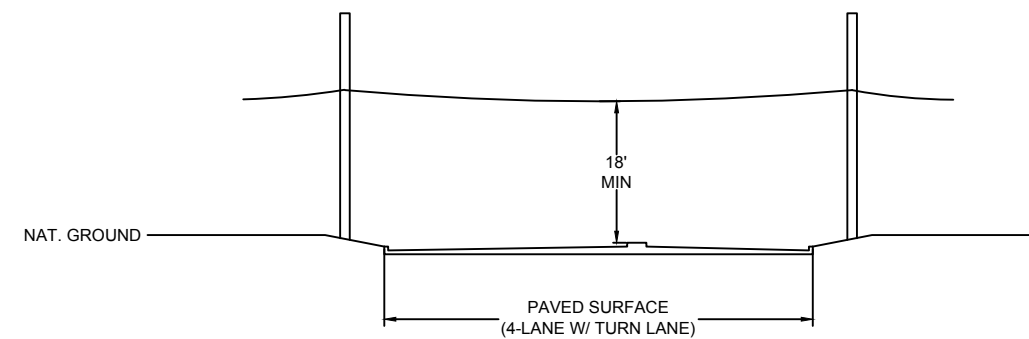
TYPICAL DETAIL "C"

FOUR LANE (W/ TURN LANE) - CURBED ROAD - NO MEDIAN



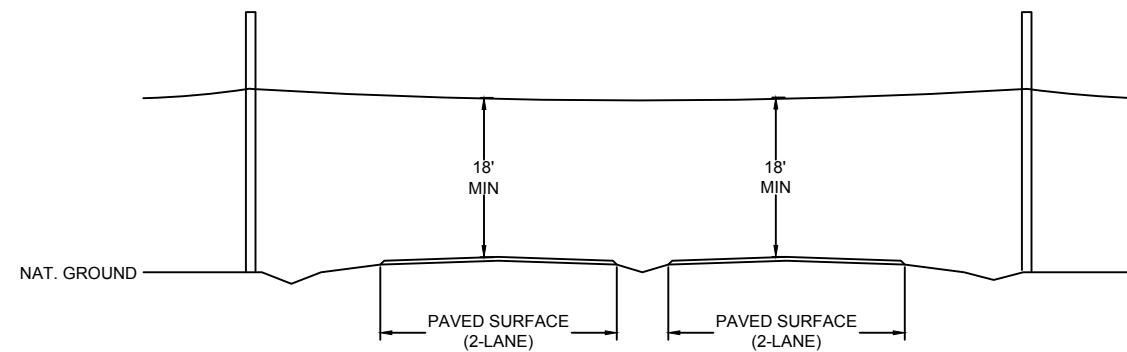
TYPICAL DETAIL "D"

FOUR LANE (W/ TURN LANE) - CURBED ROAD - WITH MEDIAN



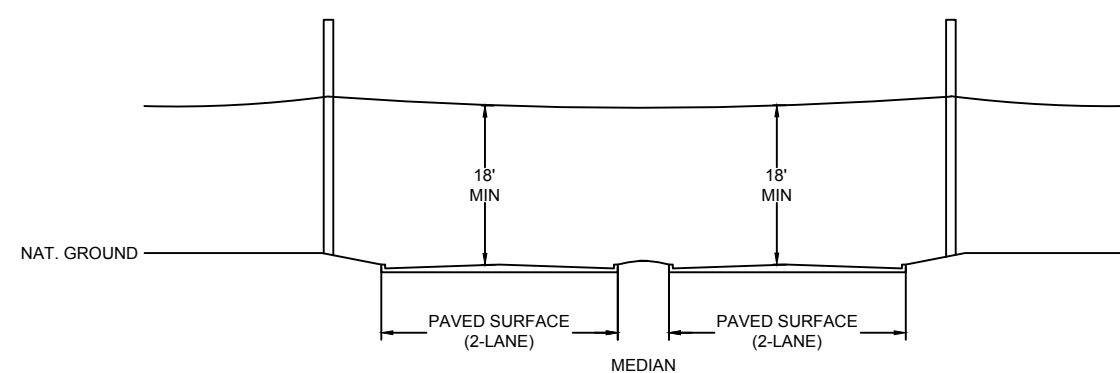
TYPICAL DETAIL "E"

4 LANE - SPLIT ASPHALT ROAD - NO CURB



TYPICAL DETAIL "F"

4 LANE - SPLIT CURBED ROAD



PROJECT: 1706ANBE.004

RICHMOND, TX

PECAN GROVE TO HOUGHTON



MCImetro
ACCESS TRANSMISSION SERVICES
CORPORATION

OUTSIDE PLANT CONSTRUCTION

TITLE: FIBER OPTIC ROUTE
PECANGROVE TO HOUGHTON
RICHMOND, TX

DATE: 09/05/18

ENGINEER: L. STALCUP

DRAWN BY: T.P.G. (KIB)

REVISIONS

No.	DATE	DESCRIPTION	BY
1.	-	-	-

EXCEPT AS MAY BE OTHERWISE PROVIDED BY CONTRACT, THESE DRAWINGS AND SPECIFICATIONS SHALL REMAIN THE PROPERTY OF MCI COMMUNICATIONS SERVICES INC. BOTH BEING ISSUED IN STRICT CONFIDENCE AND SHALL NOT BE REPRODUCED, COPIED, OR USED FOR ANY PURPOSE WITHOUT SPECIFIC WRITTEN PERMISSION.

SCALE

HORIZONTAL: 1"= 50'

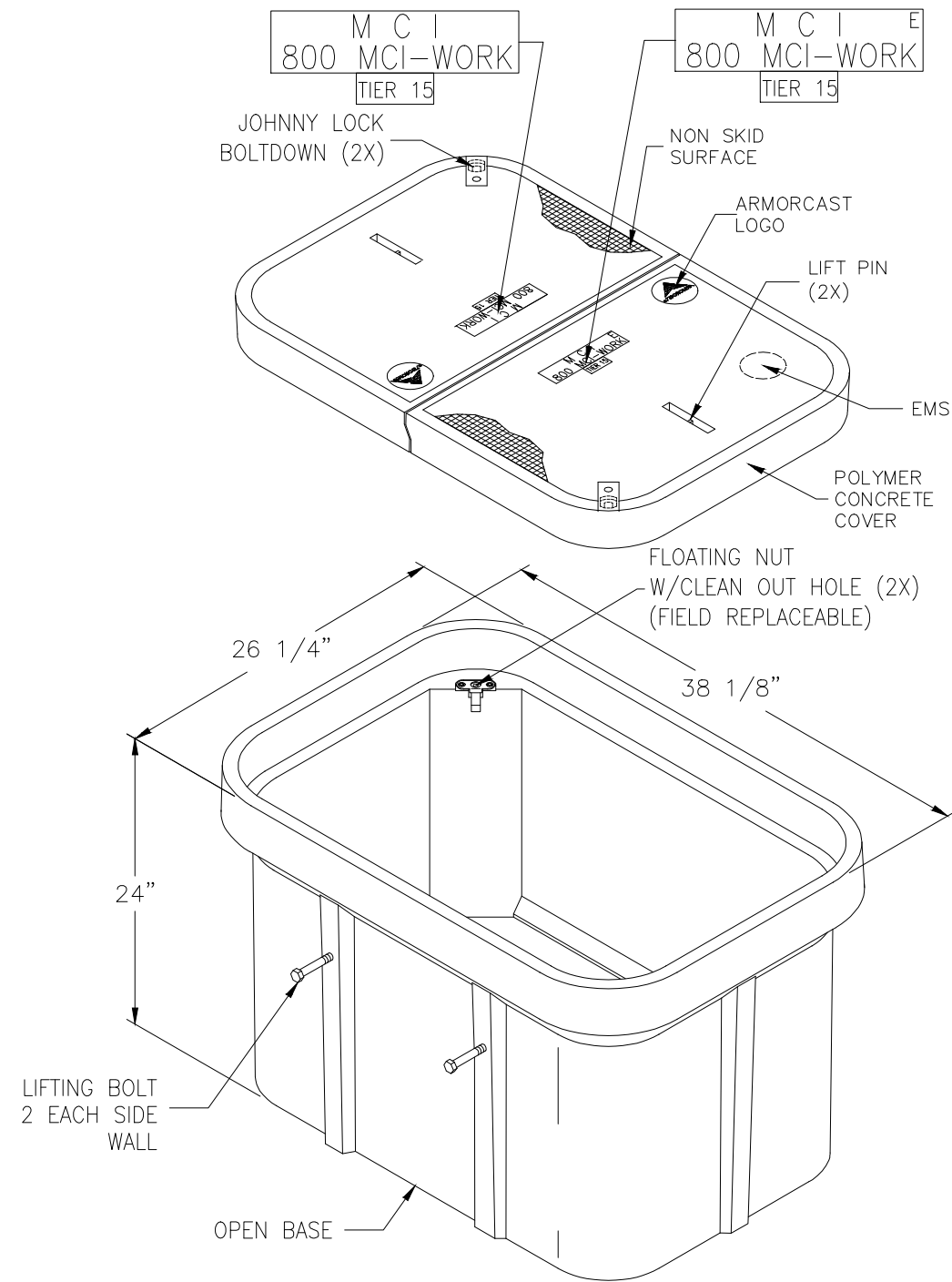
VERTICAL: 1"= N/A

MP _____ TO MP _____

SHEET 7D OF 11

FILE: 1706ANBE.005 07DA

24" x 36" x 24" POLYMER CONCRETE BOX ASSEMBLY



NOTE:
BOX AND COVER ASSEMBLY MEET
ANSI/SCTE 77 TIER 15 LOADING

FILE # A6-1974TAPMC14	13230 Saticoy Street, North Hollywood, CA 91605 (818) 982-3600 ARMORCAST® PRODUCTS COMPANY	PART DESCRIPTION		
		24" X 36" X 24" POLYMER CONCRETE BOX ASSEMBLY		
		CUSTOMER		
		VERIZON		
DRAWN	DATE	SCALE	MAX. LOAD	
OA	10/17	NONE	TIER 15	
APPROV.	DATE	MATERIAL	DRAWING NUMBER	
WS	10/17	POLYMER CONCRETE	A6001974TAPMC14	

THE INFORMATION IN THIS DRAWING IS CONFIDENTIAL. THE DRAWING IS NOT TO BE REPRODUCED OR ITS CONTENTS DIVULGED IN ANY WAY WHATSOEVER EXCEPT WITH THE PRIOR WRITTEN APPROVAL OF ARMORCAST PRODUCTS COMPANY. IT IS THE PROPERTY OF AND MUST BE RETURNED TO ARMORCAST PRODUCTS COMPANY, 13230 SATICOY STREET, NORTH HOLLYWOOD, CALIFORNIA 91605.

PROJECT: 1706ANBE.004

RICHMOND, TX

PECAN GROVE TO HOUGHTON



MCImetro
ACCESS TRANSMISSION SERVICES
CORPORATION

OUTSIDE PLANT CONSTRUCTION

TITLE: FIBER OPTIC ROUTE
PECANGROVE TO HOUGHTON
RICHMOND, TX

DATE: 09/05/18

ENGINEER: L. STALCUP

DRAWN BY: T.P.G. (KIB)

REVISIONS

No.	DATE	DESCRIPTION	BY
1.	-	-	-

EXCEPT AS MAY BE OTHERWISE PROVIDED BY CONTRACT, THESE DRAWINGS AND SPECIFICATIONS SHALL REMAIN THE PROPERTY OF MCI COMMUNICATIONS SERVICES INC. BOTH BEING ISSUED IN STRICT CONFIDENCE AND SHALL NOT BE REPRODUCED, COPIED, OR USED FOR ANY PURPOSE WITHOUT SPECIFIC WRITTEN PERMISSION.

SCALE

HORIZONTAL: 1"= 50'

VERTICAL: 1"= N/A

MP _____ TO MP _____

SHEET 8 OF 11

FILE: 1706ANBE.005 08 A

30" x 60" x 30" 30K STANDARD HANDHOLE DETAILS

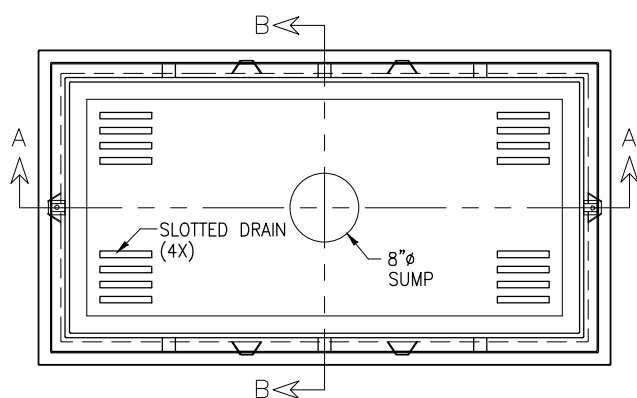
PROJECT: 1706ANBE.004

RICHMOND, TX

PECAN GROVE TO HOUGHTON

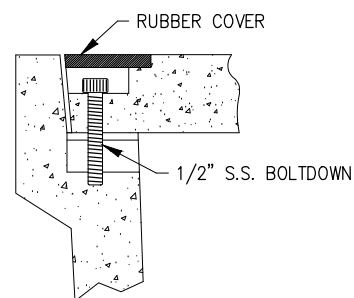
DETAIL "A"

LOCKING DEVICE
CROSS SECTION



DETAIL "B"

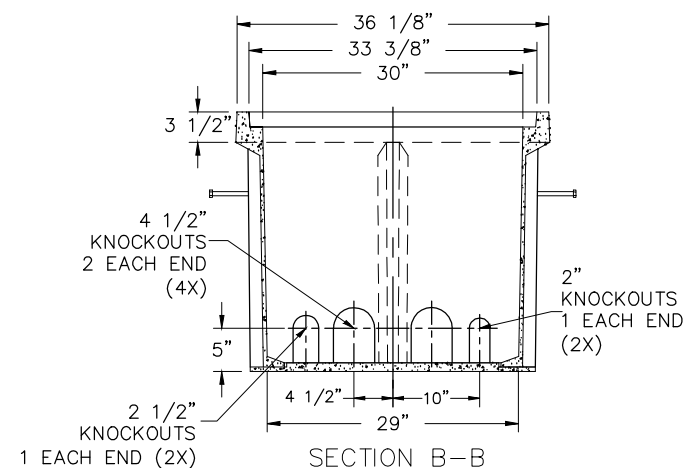
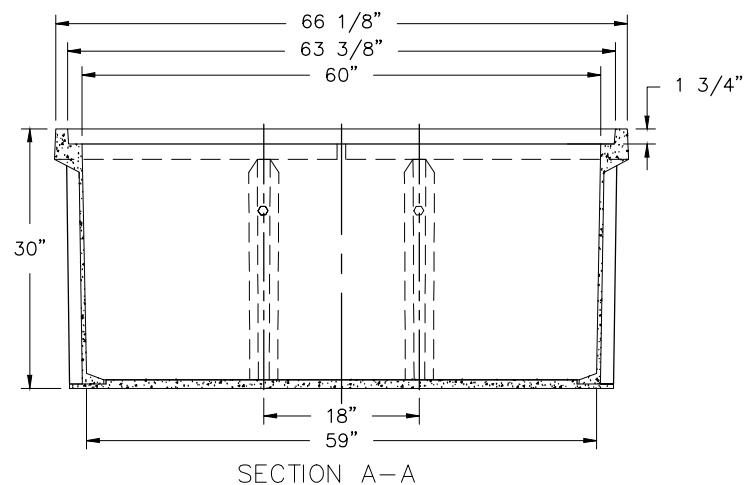
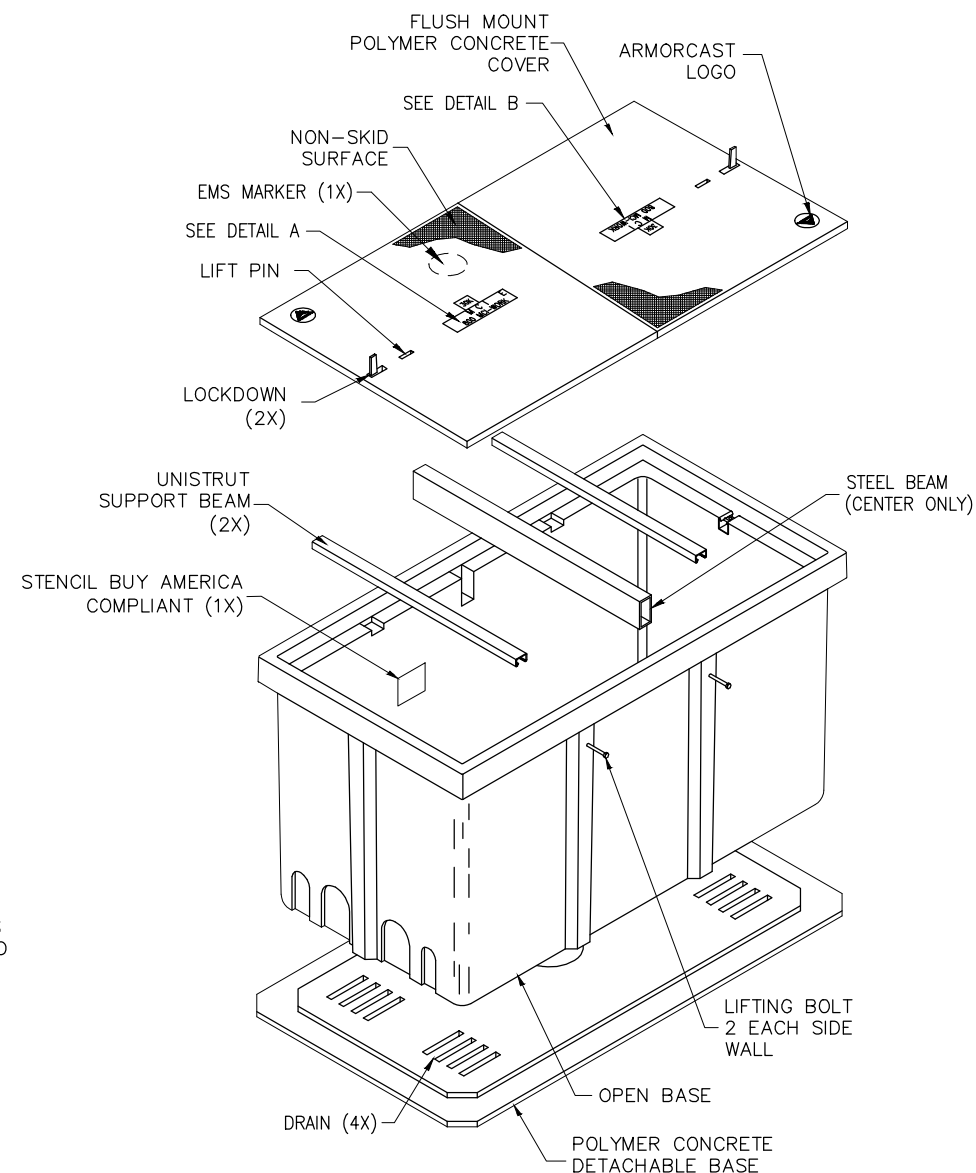
FLUSH MOUNT
COVER DETAIL



FLUSH MOUNT COVER DETAIL

DETAIL "C"

EXPLODED ISOMETRIC DETAIL



30K
M C I E
800 MCI-WORK
DETAIL A

30K
M C I E
800 MCI-WORK
DETAIL B

SEALED PLASTIC BAG PLACED INSIDE VAULT TO CONTAIN

ITEM	QTY	DESCRIPTION
1	(1)	JOHNNY LOCK KEY
2	(2)	S.S. JOHNNY BOLTS W/FLAT WASHER.
3		SHRINK WRAP COVERS TO FRAME FOR PACKAGING.

30K STANDARD HANDHOLE
30"x60"x30" POLYMER CONCRETE FLUSH MOUNT ASSEMBLY
MEETS SCTE/ANSI 77-TIER 22 LOADING CRITERIA
ADDITIONAL REQUIREMENTS:
DESIGNED LOAD: 30,000 LBS
MINIMUM FAILURE LOAD: 45,000 LBS



MCI metro
ACCESS TRANSMISSION SERVICES
CORPORATION
OUTSIDE PLANT CONSTRUCTION
TITLE: FIBER OPTIC ROUTE
PECAN GROVE TO HOUGHTON
RICHMOND, TX

DATE: 09/05/18

ENGINEER: L. STALCUP

DRAWN BY: T.P.G. (KIB)

REVISIONS

No.	DATE	DESCRIPTION	BY
1.	-	-	-

EXCEPT AS MAY BE OTHERWISE PROVIDED BY CONTRACT, THESE DRAWINGS AND SPECIFICATIONS SHALL REMAIN THE PROPERTY OF MCI COMMUNICATIONS SERVICES INC. BOTH BEING ISSUED IN STRICT CONFIDENCE AND SHALL NOT BE REPRODUCED, COPIED, OR USED FOR ANY PURPOSE WITHOUT SPECIFIC WRITTEN PERMISSION.

SCALE

HORIZONTAL: 1"= 50'

VERTICAL: 1"= N/A

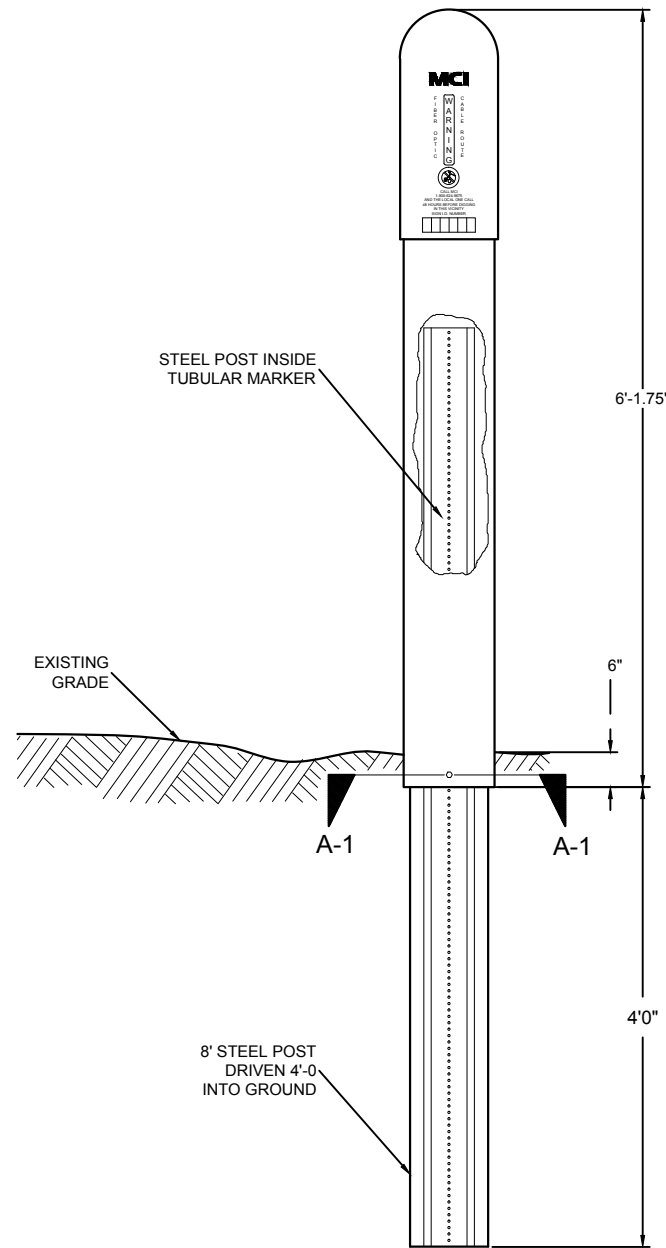
MP _____ TO MP _____

SHEET 8A OF 11

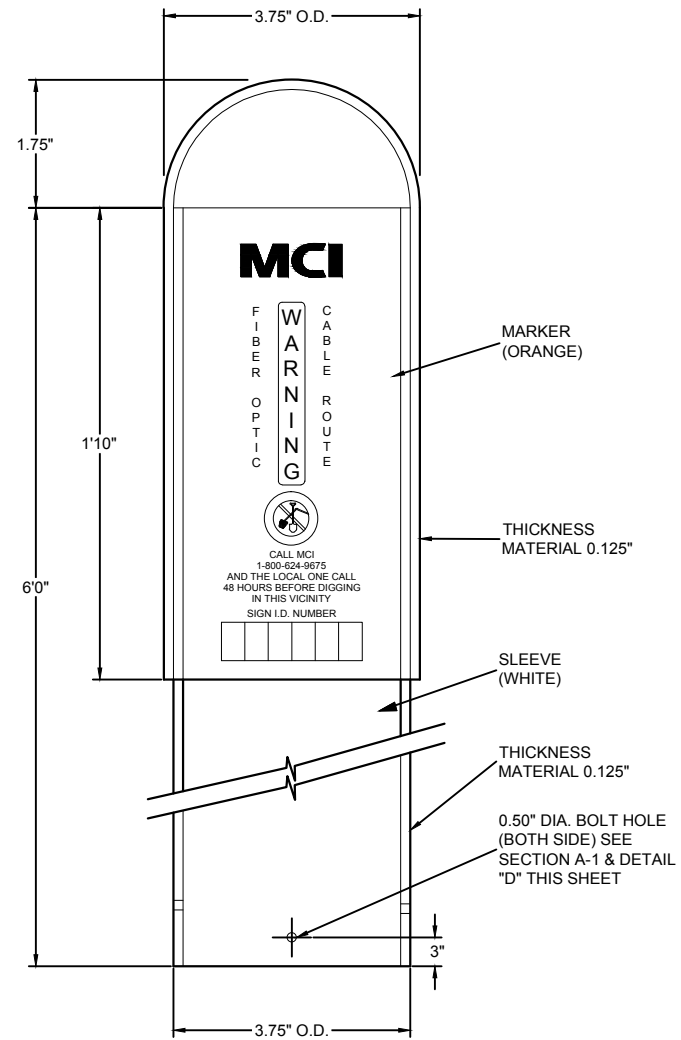
FILE: 1706ANBE.005 08AA

TUBULAR MARKER DETAILS

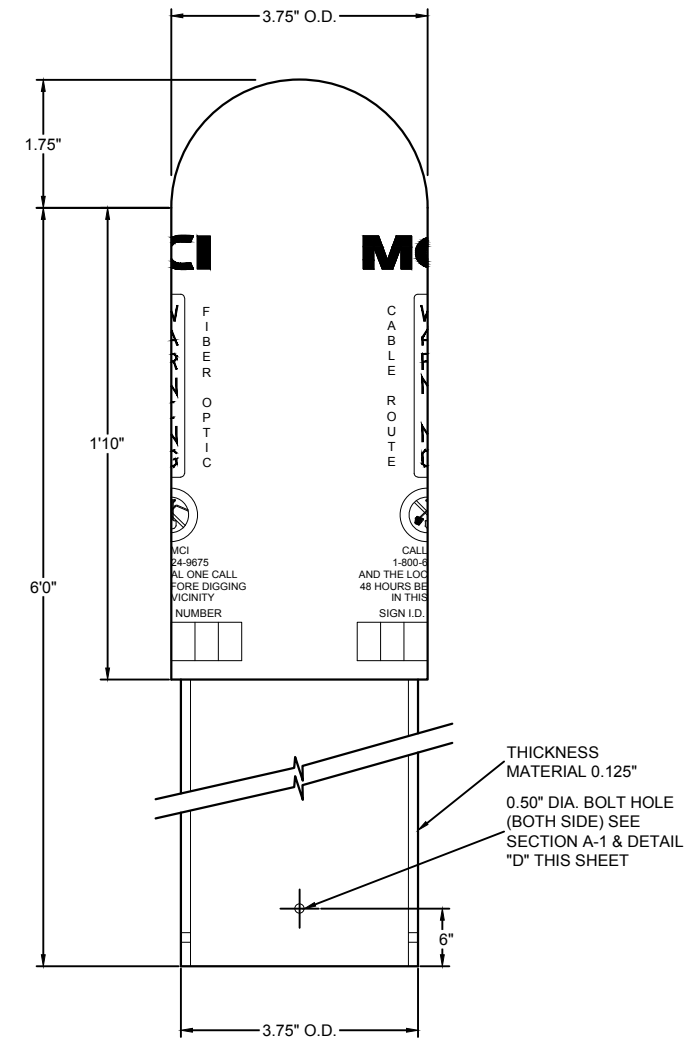
DETAIL "A"
INSTALLATION VIEW



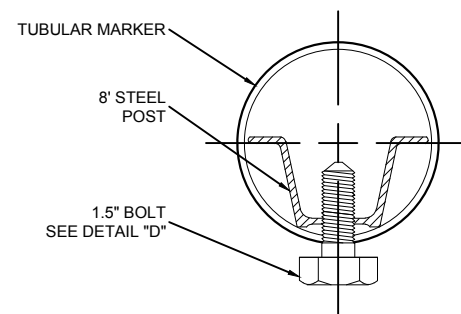
DETAIL "B"
FRONT VIEW



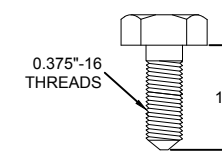
DETAIL "C"
SIDE VIEW



SECTION A-1
TUBULAR MARKER



DETAIL "D"
1.5" BOLT



PROJECT: 1706ANBE.004
RICHMOND, TX
PECAN GROVE TO HOUGHTON



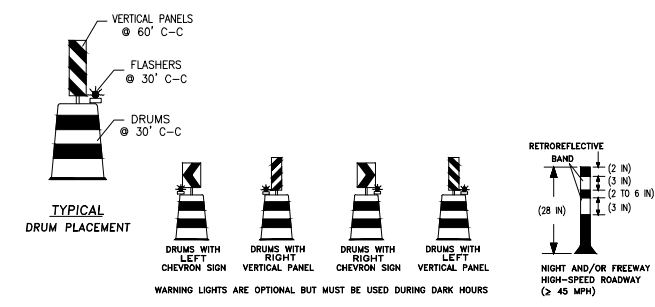
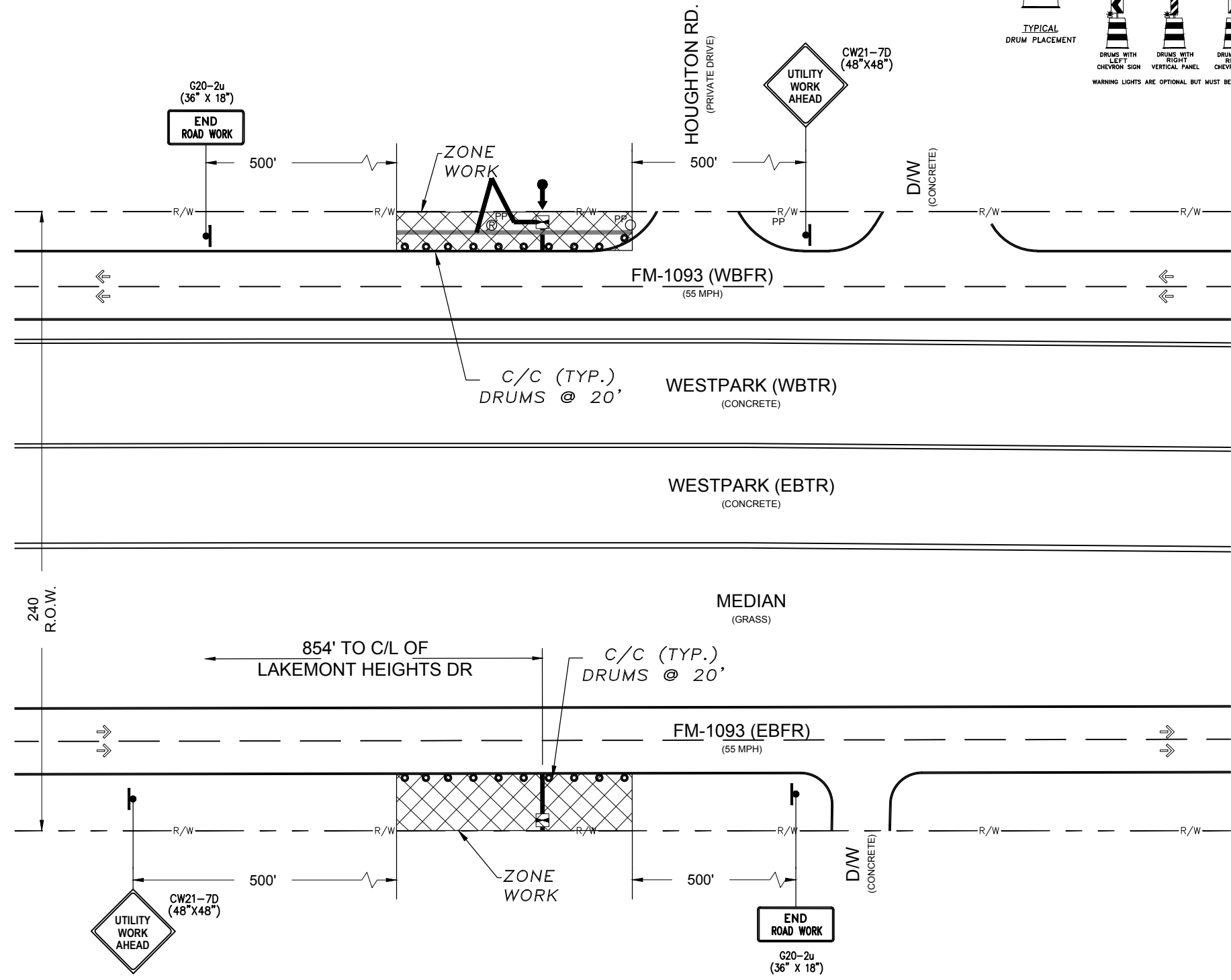
MCImetro
ACCESS TRANSMISSION SERVICES CORPORATION
OUTSIDE PLANT CONSTRUCTION
TITLE: FIBER OPTIC ROUTE
PEACAN GROVE TO HOUGHTON
RICHMOND, TX

DATE: 09/05/18
ENGINEER: L. STALCUP
DRAWN BY: T.P.G. (KIB)

REVISIONS			
No.	DATE	DESCRIPTION	BY
1.	-	-	-

EXCEPT AS MAY BE OTHERWISE PROVIDED BY CONTRACT, THESE DRAWINGS AND SPECIFICATIONS SHALL REMAIN THE PROPERTY OF MCI COMMUNICATIONS SERVICES INC. BOTH BEING ISSUED IN STRICT CONFIDENCE AND SHALL NOT BE REPRODUCED, COPIED, OR USED FOR ANY PURPOSE WITHOUT SPECIFIC WRITTEN PERMISSION.

SCALE
HORIZONTAL: 1"= 50'
VERTICAL: 1"= N/A
MP _____ TO MP _____
SHEET 9 OF 11
FILE: 1706ANBE.005 09 A



LEGEND

- WORK ZONE
- PLASTIC DRUM
- TRAFFIC CONSTRUCTION SIGNS
- TYPE III BARRICADE
- LAW OFFICER
- FLAGGER
- FLASHING ARROW PANEL
- DIRECTION OF TRAFFIC FLOW

PROJECT: 1706ANBE.004
 RICHMOND, TX
 PECAN GROVE TO HOUGHTON



MCImetro
 ACCESS TRANSMISSION SERVICES
 CORPORATION
 OUTSIDE PLANT CONSTRUCTION
 TITLE: FIBER OPTIC ROUTE
 PECANGROVE TO HOUGHTON
 RICHMOND, TX

DATE: 09/05/18
 ENGINEER: L. STALCUP
 DRAWN BY: T.P.G. (KIB)

REVISIONS

No.	DATE	DESCRIPTION	BY
1.	-	-	-

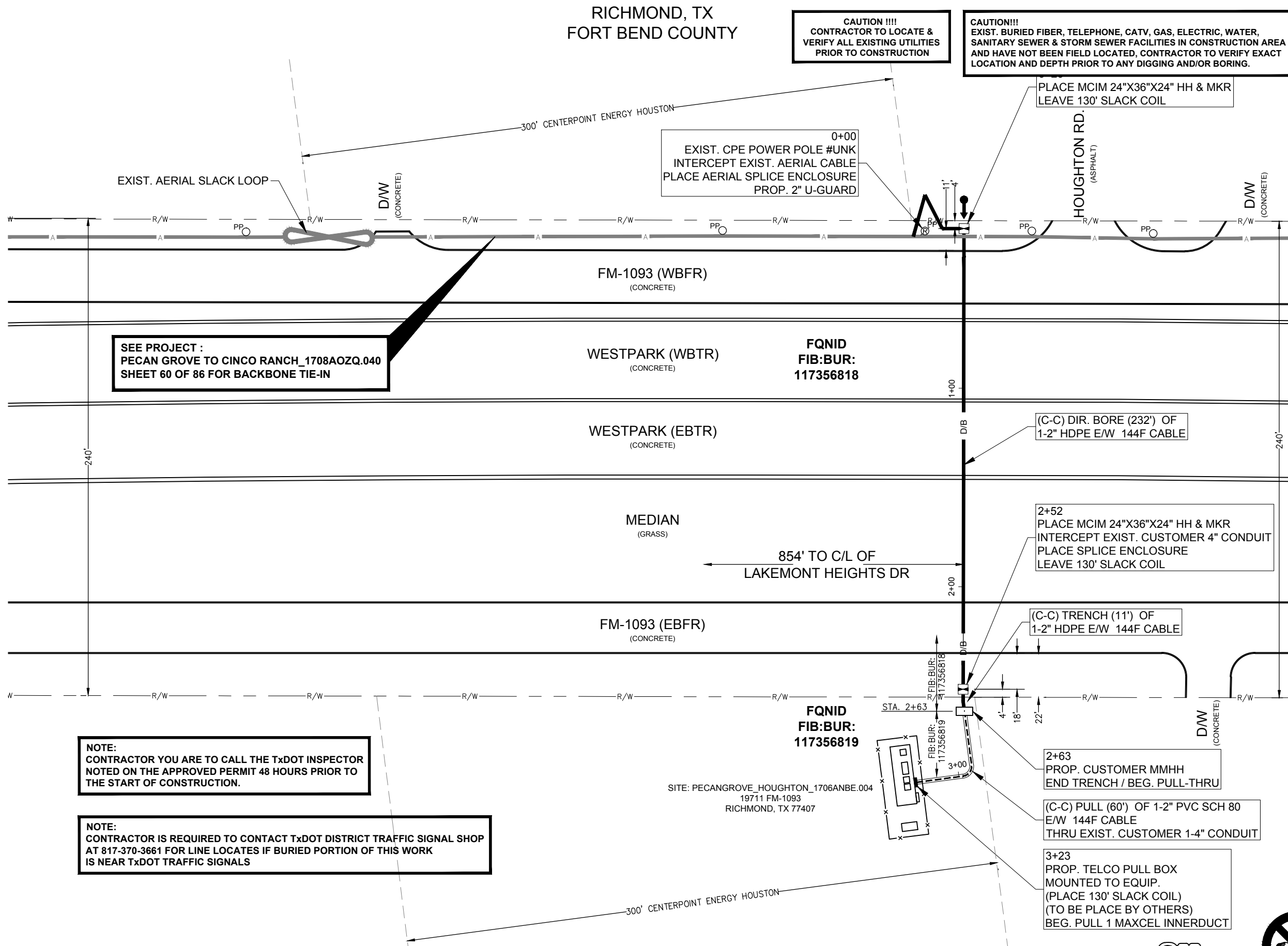
EXCEPT AS MAY BE OTHERWISE PROVIDED BY CONTRACT, THESE DRAWINGS AND SPECIFICATIONS SHALL REMAIN THE PROPERTY OF MCI COMMUNICATIONS SERVICES INC. BOTH BEING ISSUED IN STRICT CONFIDENCE AND SHALL NOT BE REPRODUCED, COPIED, OR USED FOR ANY PURPOSE WITHOUT SPECIFIC WRITTEN PERMISSION.

SCALE
 HORIZONTAL: 1"= 50'
 VERTICAL: 1"= N/A
 MP _____ TO MP _____
 SHEET 9A OF 11
 FILE: 1706ANBE.005 09AA

NOTE:
 ALL DRIVEWAYS TO REMAIN OPEN AT ALL TIMES.

NOTE:
 SUBJECT TO NO PAVEMENT EXCAVATION.
 CONTRACTOR RESPONSIBLE TO KEEP SIDEWALK AREAS OPEN AT ALL TIMES DURING CONSTRUCTION.

RICHMOND, TX
FORT BEND COUNTY



CAUTION !!!
CONTRACTOR TO LOCATE &
VERIFY ALL EXISTING UTILITIES
PRIOR TO CONSTRUCTION

CAUTION!!!
EXIST. BURIED FIBER, TELEPHONE, CATV, GAS, ELECTRIC, WATER,
SANITARY SEWER & STORM SEWER FACILITIES IN CONSTRUCTION AREA
AND HAVE NOT BEEN FIELD LOCATED, CONTRACTOR TO VERIFY EXACT
LOCATION AND DEPTH PRIOR TO ANY DIGGING AND/OR BORING.

SEE PROJECT :
PECAN GROVE TO CINCO RANCH_1708AOZQ.040
SHEET 60 OF 86 FOR BACKBONE TIE-IN

NOTE:
CONTRACTOR YOU ARE TO CALL THE TxDOT INSPECTOR
NOTED ON THE APPROVED PERMIT 48 HOURS PRIOR TO
THE START OF CONSTRUCTION.

NOTE:
CONTRACTOR IS REQUIRED TO CONTACT TxDOT DISTRICT TRAFFIC SIGNAL SHOP
AT 817-370-3661 FOR LINE LOCATES IF BURIED PORTION OF THIS WORK
IS NEAR TxDOT TRAFFIC SIGNALS

SITE: PECANGROVE_HOUGHTON_1706ANBE.004
19711 FM-1093
RICHMOND, TX 77407

NOTE:
THE CONTRACTOR SHALL FIELD VERIFY AND LOCATE
ALL EXISTING UTILITIES PRIOR TO CONSTRUCTION."

PROJECT: 1706ANBE.004
RICHMOND, TX
PECAN GROVE TO HOUGHTON

CLARIFICATION NO.	QUANTITY
PLACE (24"X36"X24") HH	2
PLACE (17"X30"X36") HH	-
PROP. 1-2" HDPE	323'
PULL 1-144F (A) CABLE	713'
PULL 1-144F (DE) CABLE	-
PLACE 6M STRAND	-
LASH 1-144F CABLE	-
DOWN GUY & ANCHOR	-
RISER: 2" U GUARD	1
PLACE MARKER	2



MCImetro
ACCESS TRANSMISSION SERVICES
CORPORATION
OUTSIDE PLANT CONSTRUCTION
TITLE: FIBER OPTIC ROUTE
PECANGROVE TO HOUGHTON
RICHMOND, TX

DATE: 09/05/18
ENGINEER: L. STALCUP
DRAWN BY: T.P.G. (KIB)

REVISIONS

No.	DATE	DESCRIPTION	BY
1.	-	-	-

EXCEPT AS MAY BE OTHERWISE PROVIDED BY
CONTRACT, THESE DRAWINGS AND SPECIFICATIONS
SHALL REMAIN THE PROPERTY OF MCI
COMMUNICATIONS SERVICES INC. BOTH BEING
ISSUED IN STRICT CONFIDENCE AND SHALL NOT BE
REPRODUCED, COPIED, OR USED FOR ANY
PURPOSE WITHOUT SPECIFIC WRITTEN PERMISSION.

SCALE
HORIZONTAL: 1"= 50'
VERTICAL: 1"= N/A
MP _____ TO MP _____
SHEET 10 OF 11
FILE: 1706ANBE.005 010

UNDERGROUND UTILITIES HAVE BEEN PLOTTED FROM AVAILABLE RECORDS AND
FIELD OBSERVATIONS BUT ARE NOT NECESSARILY EXACT. IT IS THE CONTRACTORS
RESPONSIBILITY TO FIELD LOCATE ALL UNDERGROUND OBSTRUCTIONS AND
UTILITIES PRIOR TO CONSTRUCTION. COMPLETE REPAIR OF ANY AND ALL
DAMAGES INCURRED SHALL BE AT THE EXPENSE OF THE CONTRACTOR.

RIGHT OF WAY LINES WERE ESTABLISHED BY RESEARCH OF PUBLIC INFORMATION.
NO BOUNDARY SURVEY OR PROPERTY LINE SURVEY WAS ESTABLISHED. RIGHT OF
WAY BOUNDARY MUST BE FIELD VERIFIED BY A REGISTERED PROFESSIONAL LAND
SURVEYOR TO ACCURATELY VERIFY RIGHT OF WAY AND PROPERTY LINES PRIOR
TO CONSTRUCTION.

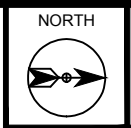


CALL BEFORE YOU DIG
1-800-545-6005
48 HOURS NOTICE REQUIRED

RICHMOND, TX
FORT BEND COUNTY

CAUTION !!!!
CONTRACTOR TO LOCATE &
VERIFY ALL EXISTING UTILITIES
PRIOR TO CONSTRUCTION

CAUTION!!!
EXIST. BURIED FIBER, TELEPHONE, CATV, GAS, ELECTRIC, WATER,
SANITARY SEWER & STORM SEWER FACILITIES IN CONSTRUCTION AREA
AND HAVE NOT BEEN FIELD LOCATED, CONTRACTOR TO VERIFY EXACT
LOCATION AND DEPTH PRIOR TO ANY DIGGING AND/OR BORING.



2+52
PLACE MCIM 24"X36"X24" HH & MKR
INTERCEPT EXIST. 4" CONDUIT
PLACE SPLICE ENCLOSURE
LEAVE 130' SLACK COIL

(C-C) TRENCH (11') OF
1-2" HDPE E/W 144F CABLE

2+63
PROP. CUSTOMER MMHH
END TRENCH / BEG. PULL-THRU

(C-C) PULL (60') OF 1-2" PVC SCH 80
E/W 144F CABLE
THRU EXIST. CUSTOMER 1-4" CONDUIT

3+23
PROP. TELCO PULL BOX
MOUNTED TO EQUIP.
(PLACE 130' SLACK COIL)
(TO BE PLACE BY OTHERS)
BEG. PULL 1 MAXCEL INNERDUCT

FM-1093 (EBFR)
(CONCRETE)

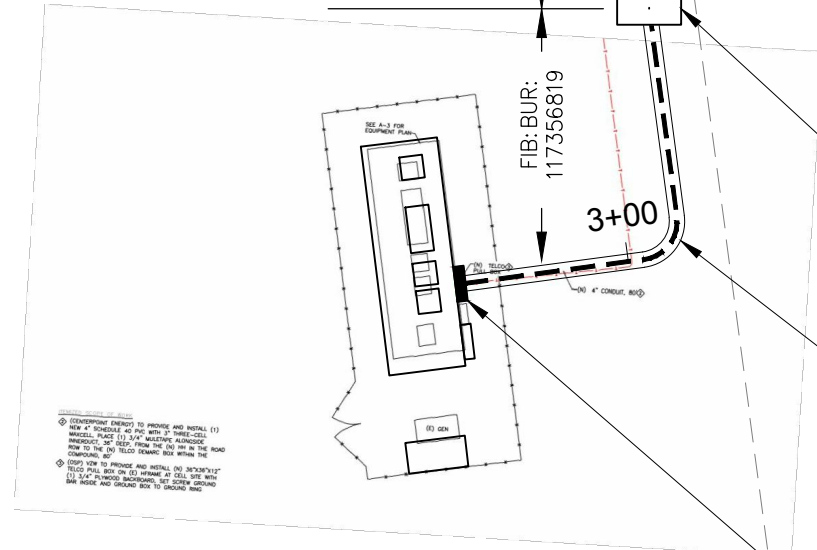
D/W
(CONCRETE)

R/W

STA. 2+63

R/W

R/W



SITE: PECANGROVE_HOUGHTON_1706ANBE.004
19711 FM-1093
RICHMOND, TX 77407

PROJECT: 1706ANBE.004
RICHMOND, TX
PECAN GROVE TO HOUGHTON

CLARIFICATION NO.	QUANTITY
PLACE (24"X36"X24") HH	-
PLACE (17"X30"X36") HH	2
PROP. 1-2" HDPE	714'
PULL 1-144F (A) CABLE	864'
PULL 1-144F (DE) CABLE	-
PLACE 6M STRAND	-
LASH 1-144F CABLE	-
DOWN GUY & ANCHOR	-
RISER: 2" U GUARD	-
PLACE MARKER	2



MCImetro
ACCESS TRANSMISSION SERVICES
CORPORATION
OUTSIDE PLANT CONSTRUCTION
TITLE: FIBER OPTIC ROUTE
PECANGROVE TO HOUGHTON
RICHMOND, TX

DATE: 09/05/18
ENGINEER: L. STALCUP
DRAWN BY: T.P.G. (KIB)

REVISIONS

No.	DATE	DESCRIPTION	BY
1.	-	-	-

EXCEPT AS MAY BE OTHERWISE PROVIDED BY
CONTRACT, THESE DRAWINGS AND SPECIFICATIONS
SHALL REMAIN THE PROPERTY OF MCI
COMMUNICATIONS SERVICES INC. BOTH BEING
ISSUED IN STRICT CONFIDENCE AND SHALL NOT BE
REPRODUCED, COPIED, OR USED FOR ANY
PURPOSE WITHOUT SPECIFIC WRITTEN PERMISSION.

SCALE
HORIZONTAL: 1"= 50'
VERTICAL: 1"= N/A
MP _____ TO MP _____
SHEET 10.1 OF 11
FILE: 1706ANBE.005 010.1

UNDERGROUND UTILITIES HAVE BEEN PLOTTED FROM AVAILABLE RECORDS AND
FIELD OBSERVATIONS BUT ARE NOT NECESSARILY EXACT. IT IS THE CONTRACTORS
RESPONSIBILITY TO FIELD LOCATE ALL UNDERGROUND OBSTRUCTIONS AND
UTILITIES PRIOR TO CONSTRUCTION. COMPLETE REPAIR OF ANY AND ALL
DAMAGES INCURRED SHALL BE AT THE EXPENSE OF THE CONTRACTOR.

RIGHT OF WAY LINES WERE ESTABLISHED BY RESEARCH OF PUBLIC INFORMATION.
NO BOUNDARY SURVEY OR PROPERTY LINE SURVEY WAS ESTABLISHED. RIGHT OF
WAY BOUNDARY MUST BE FIELD VERIFIED BY A REGISTERED PROFESSIONAL LAND
SURVEYOR TO ACCURATELY VERIFY RIGHT OF WAY AND PROPERTY LINES PRIOR
TO CONSTRUCTION.

NOTE:
THE CONTRACTOR SHALL FIELD VERIFY AND LOCATE
ALL EXISTING UTILITIES PRIOR TO CONSTRUCTION."



CALL BEFORE YOU DIG
1-800-545-6005
48 HOURS NOTICE REQUIRED