



REVIEW BY FORT BEND COUNTY
COMMISSIONERS COURT

Fort Bend County
Engineering Department
301 Jackson Suite 401
Richmond, Texas 77469
281.633.7500
Permits@fortbendcountytx.gov

Right of Way Permit

Commercial Driveway Permit

Permit No: 2018-23058

Applicant: MCI Metro Access Transmission Services, Corp./Golden Field Services

Job Location Site: S. University Boulevard, Sugar Land, TX 77479

Bond No. **Date of Bond:** 5/1/2017 **Amount:** \$50,000.00

The above applicant came to make use of certain Fort Bend County property subject to, "The Order Regulating the Laying, Construction, Maintenance, and Repair of Buried Cables, Conduits, and Pole Lines, In, Under, Across or Along Roads, Streets, Highways, and Drainage Ditches in Fort Bend County, Texas, Under the Jurisdiction of the Commissioners Court of Fort Bend County, Texas," as passed by the Commissioners Court of Fort Bend County, Texas, of the Minutes of the Commissioners Court of Fort Bend County, Texas, to the extent that such order is not inconsistent with Chapter 181, Vernon's Texas Statutes and Codes Annotated.

Notes:

1. Evidence of review by the Commissioners Court must be kept on the job site and failure to do so constitutes grounds for job shutdown.
2. Written notices are required:
 - a. 48 hours in advance of construction start up, and
 - b. When construction is completed and ready for final inspection, submit notification to Permit Administrator thru MyGovernmentOnline.org portal.
3. This permit expires one (1) year from date of permit if construction has not commenced.
4. This permit applies to work performed within right-of-ways owned and maintained by Fort Bend County only, and it is the responsibility of the applicant to acquire all other necessary permits.

On this 6th day of November, 2018, Upon Motion of Commissioner _____, seconded by Commissioner _____, duly put and carried, it is ORDERED, ADJUDGED AND DECREED that said notice of said above purpose is hereby acknowledged by the Commissioners Court of Fort Bend County, Texas, and that said notice be placed on record according to the regulation order thereof.

Signature

By: 
County Engineer

Presented to Commissioners Court and approved.

Date Recorded _____ Comm. Court No. _____

Clerk of Commissioners Court

By: N/A
Drainage District Engineer/Manager

By: _____
Deputy



**PERMIT APPLICATION REVIEW FORM FOR
CABLE, CONDUIT, AND POLE LINE ACTIVITY
IN FORT BEND COUNTY**

**Fort Bend County
Engineering Department**
301 Jackson Suite 401
Richmond, Texas 77469
281.633.7500
Permits@fortbendcountytx.gov

- Right of Way Permit**
 Commercial Driveway Permit

Permit No: 2018-23058

The following "Notice of Proposed Cable, Conduit, and/or Pole Line activity in Fort Bend County" and accompanying attachments have been reviewed and the notice conforms to appropriate regulations set by Commissioner's Court of Fort Bend County, Texas.

(1) COMPLETE APPLICATION FORM:

- a. Name of road, street, and/or drainage ditch affected.
 b. Vicinity map showing course of directions
 c. Plans and specifications

(2) BOND:

- County Attorney, approval when applicable.
- Perpetual bond currently posted. Bond No: Amount: \$50,000.00
- Performance bond submitted. Bond No: Amount:
- Cashier's Check Check No: Amount:

(3) DRAINAGE DISTRICT APPROVAL (WHEN APPLICABLE):

Drainage District Approval

Date

We have reviewed this project and agree it meets minimum requirements.



Permit Administrator

10/29/2018

Date

MCImetro
ACCESS TRANSMISSION SERVICES CORPORATION

OUTSIDE PLANT CONSTRUCTION
FIBER OPTIC CABLE ROUTE

ECC FIBER BUILD: 1706ANAY.003
MISSOURI CITY TO CABRERA RD
HOUSTON, TX

SITE CODE: HODATX

PROJECT STATUS: CONSTRUCTION

DATE: 8/21/18

LOCATION MAP

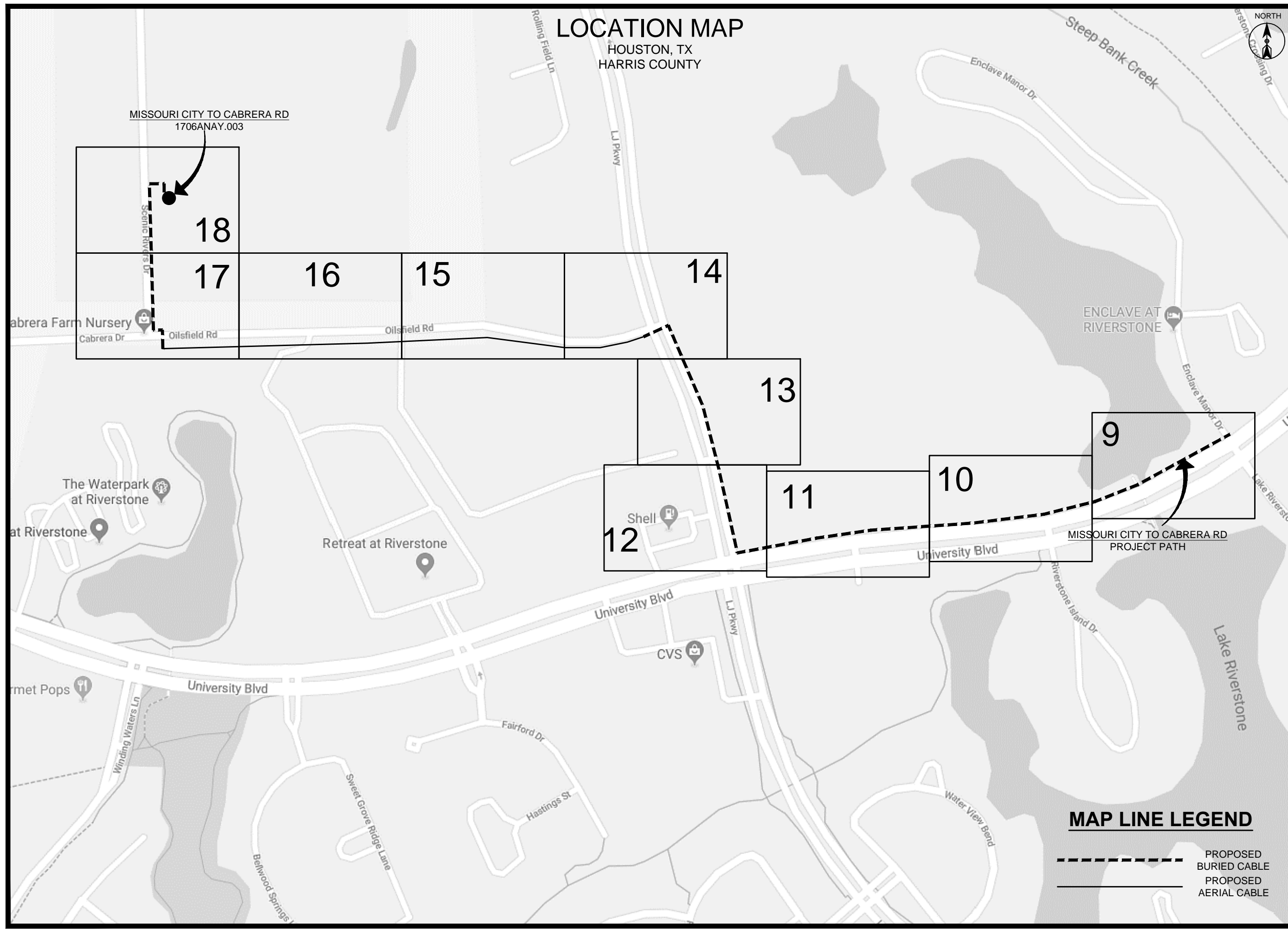
HOUSTON, TX
HARRIS COUNTY



PROJECT: 1706ANAY.003

HOUSTON, TX

MISSOURI CITY TO CABRERA RD



MISSOURI CITY TO CABRERA RD
1706ANAY.003

18

17

16

15

14

13

11

10

9

12

MISSOURI CITY TO CABRERA RD
PROJECT PATH

MCI metro
ACCESS TRANSMISSION SERVICES
CORPORATION

OUTSIDE PLANT CONSTRUCTION

TITLE: FIBER OPTIC ROUTE
MISSOURI CITY TO CABRERA RD
HOUSTON, TX

DATE: 8/21/18

ENGINEER: L. STALCUP

DRAWN BY: G.F.S. (JCV)

REVISIONS

No.	DATE	DESCRIPTION	BY

EXCEPT AS MAY BE OTHERWISE PROVIDED BY CONTRACT, THESE DRAWINGS AND SPECIFICATIONS SHALL REMAIN THE PROPERTY OF MCI COMMUNICATIONS SERVICES INC. BOTH BEING ISSUED IN STRICT CONFIDENCE AND SHALL NOT BE REPRODUCED, COPIED, OR USED FOR ANY PURPOSE WITHOUT SPECIFIC WRITTEN PERMISSION.

MAP LINE LEGEND

- PROPOSED BURIED CABLE
- PROPOSED AERIAL CABLE

SCALE

HORIZONTAL: 1"= N/A
VERTICAL: 1"= N/A
MP _____ TO MP _____
SHEET 02 OF 18

FILE: ECC-FBRBLD01002.AC.LIN

SYMBOLS KEY

	EXISTING	PROPOSED
DIRECT BURIED CABLE		
AERIAL CABLE		
SUBMARINE CABLE		
FOGWIRE CABLE		
DIRECT BURIED HDPE		
PVC OR SPLIT PVC CONDUIT		
BSP/GSP OR SPLIT BSP/GSP CONDUIT		
STEEL CASING		
REMOVE AND RESTORE ASPHALT OR CONCRETE (WIDTH AS INDICATED)		
CORE BORE		
JACK AND BORE		
DIRECTIONAL BORE (& PLACE CONDUIT)		
FUTURE CABLE		
REMOVE CABLE		
TO BE REMOVED OR ABANDONED (SHOWN FOR HDPE)		
AERIAL UTILITY (ELECTRIC)		
UNDERGROUND UTILITY (TELEPHONE)		
MAIN TRACKS		
AUXILLARY TRACKS		
CENTERLINE		
RIGHT-OF-WAY		
EDGE OF ROADWAY (GENERIC)		
EDGE OF PAVEMENT		
BACK OF CURB		
DITCH LINE		
TAX, CITY, COUNTY, OR STATE BOUNDARY LINE		
PROPERTY LINE		
FENCE LINE		
GUARDRAIL		
TOP OF SLOPE		
TOE OF SLOPE		

STEEL MARKER AND SIGN-(A)
 ALUMINUM "HUB"-STYLE MARKER-(B)
 FLAT MARKER-(C)
 TUBULAR MARKER-(D)
 TUBULAR MARKER, & ISOLATOR PROTECTOR-(E)

MILE POST MARKER
 NOTE:
 DASHED = NOT FOUND IN FIELD

PERMIT TRACKING FORM IDENTIFIER

ROCK PROBE (DEPTH AS INDICATED)

UTILITY COVER DEPTH

HANDHOLE, MANHOLE OR PULLBOX

POLE

ANCHOR ONLY

GUY ONLY

OVERHEAD GUY (ARROW IN DIRECTION OF PULL)

ANCHOR AND GUY

SIDEWALK ANCHOR AND GUY

FOREIGN ANCHOR AND GUY

PUSH BRACE (EXISTING POLE)

ACCOUNT CODE CHANGE (BURIED TO AERIAL)

RISER ATTACHMENT LOCATION

BOND AND GROUND

CULVERT (SIZE AS INDICATED)

BRIDGE

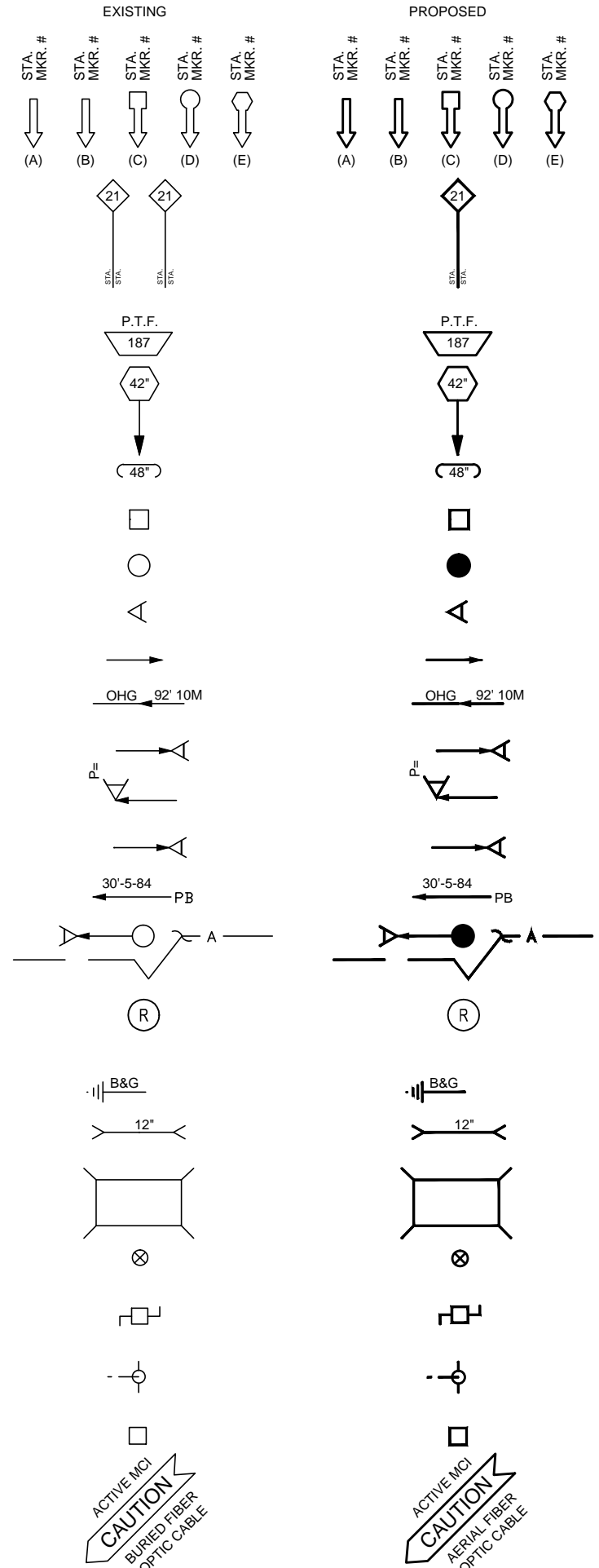
WATER METER

GAS VALVE

FIRE HYDRANT

RAILROAD SIGNAL CONTROL BOX

CAUTION NOTE



verizonbusiness

PROJECT: 1706ANAY.003
 HOUSTON, TX
 MISSOURI CITY TO CABRERA RD

MCI metro
 ACCESS TRANSMISSION SERVICES CORPORATION
 OUTSIDE PLANT CONSTRUCTION
 TITLE: FIBER OPTIC ROUTE
 MISSOURI CITY TO CABRERA RD
 HOUSTON, TX

DATE: 8/21/18
 ENGINEER: L. STALCUP
 DRAWN BY: G.F.S. (JCV)

REVISIONS			
No.	DATE	DESCRIPTION	BY

EXCEPT AS MAY BE OTHERWISE PROVIDED BY CONTRACT, THESE DRAWINGS AND SPECIFICATIONS SHALL REMAIN THE PROPERTY OF MCI COMMUNICATIONS SERVICES INC. BOTH BEING ISSUED IN STRICT CONFIDENCE AND SHALL NOT BE REPRODUCED, COPIED, OR USED FOR ANY PURPOSE WITHOUT SPECIFIC WRITTEN PERMISSION.

SCALE
 HORIZONTAL: 1"= N/A
 VERTICAL: 1"= N/A
 MP _____ TO MP _____
 SHEET 05 OF 18
 FILE: ECC-FBRBLD01005.AC.LIN

GENERAL AERIAL CONSTRUCTION DETAILS



PROJECT: 1706ANAY.003
HOUSTON, TX
MISSOURI CITY TO CABRERA RD

McImetro
ACCESS TRANSMISSION SERVICES
CORPORATION
OUTSIDE PLANT CONSTRUCTION
TITLE: FIBER OPTIC ROUTE
MISSOURI CITY TO CABRERA RD
HOUSTON, TX

DATE: 8/21/18
ENGINEER: L. STALCUP
DRAWN BY: G.F.S. (JCV)

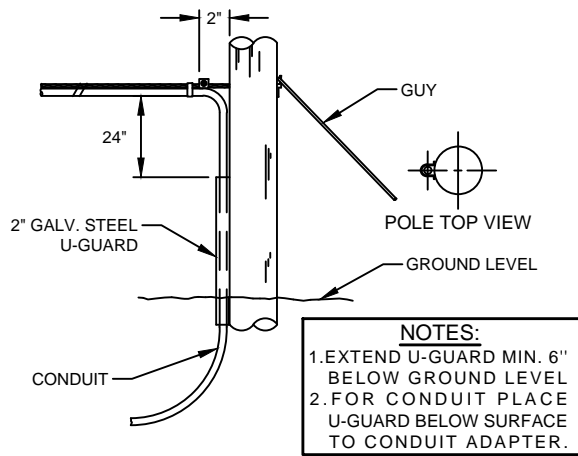
REVISIONS			
No.	DATE	DESCRIPTION	BY

EXCEPT AS MAY BE OTHERWISE PROVIDED BY CONTRACT, THESE DRAWINGS AND SPECIFICATIONS SHALL REMAIN THE PROPERTY OF MCI COMMUNICATIONS SERVICES INC. BOTH BEING ISSUED IN STRICT CONFIDENCE AND SHALL NOT BE REPRODUCED, COPIED, OR USED FOR ANY PURPOSE WITHOUT SPECIFIC WRITTEN PERMISSION.

SCALE
HORIZONTAL: 1" = N/A
VERTICAL: 1" = N/A
MP _____ TO MP _____
SHEET 6B OF 18
FILE: ECC-FBRBLD01006BC.LIN

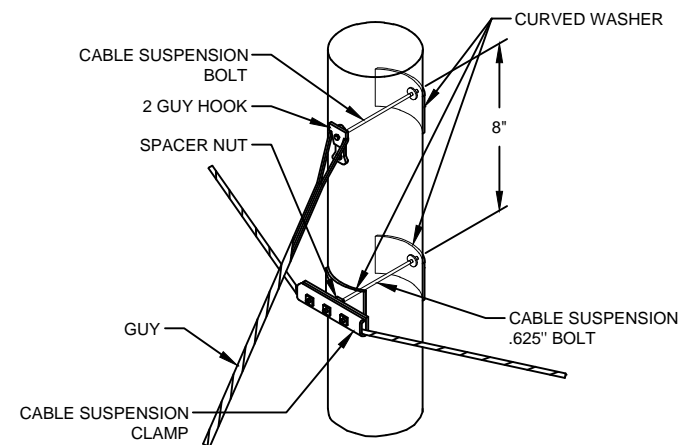
TYPICAL DETAIL "A"

POLE ARRANGEMENT FOR AERIAL TO BURIED



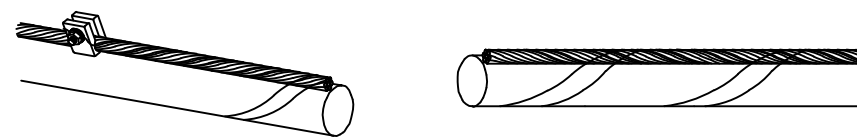
TYPICAL DETAIL "D"

SUSPENSION STRAND - PULL TOWARD POLE - LESS THAN 5 FEET



TYPICAL DETAIL "G"

JOINING 045 LASHING WIRE

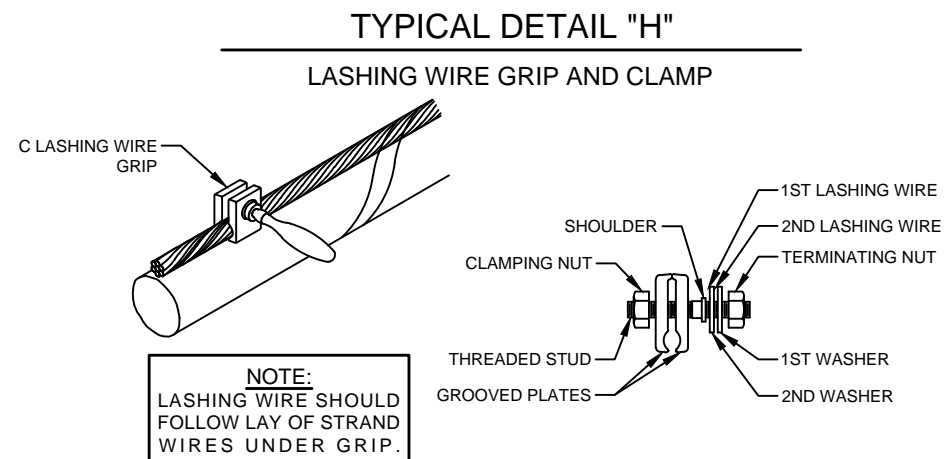


FORMING WIRE OVER STUD OF CLAMP

REMOVE ANY SLACK IN THE LASHING WIRE BY MAINTAINING A PULL ON THE WIRE AND TAPPING THE STRAND SHARPLY. THEN FORM THE WIRE OVER THE STUD AND TIGHTEN THE NUT. CUT THE FREE END OF THE LASHING WIRE OFF 0.75" BEYOND THE END OF THE CLAMP.

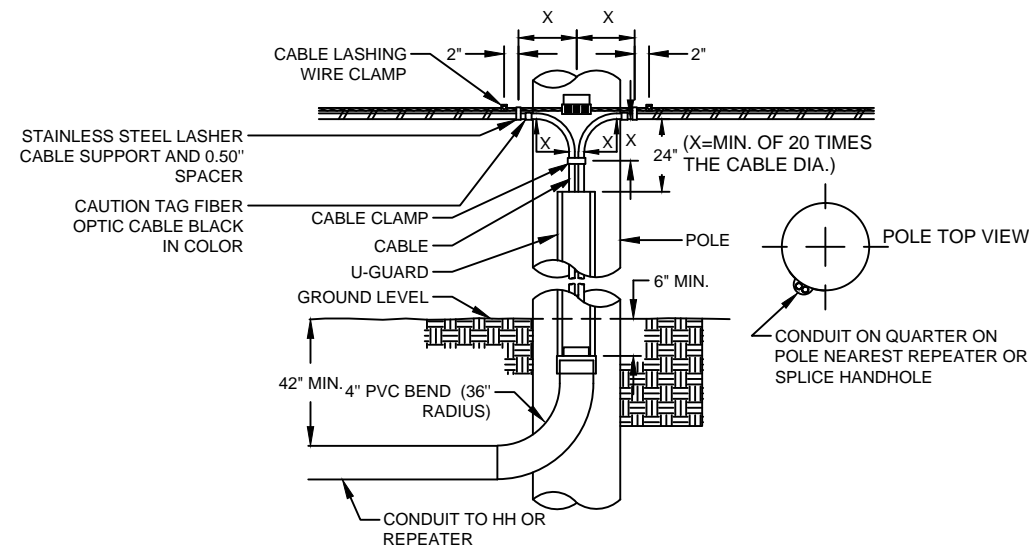
FORMING LASHING WIRE AROUND STRAND

FORM THE LASHING WIRE AROUND THE STRAND AND PLACE IT BELOW THE STUD AND BETWEEN THE SECOND WASHER AND STUD SHOULDER.



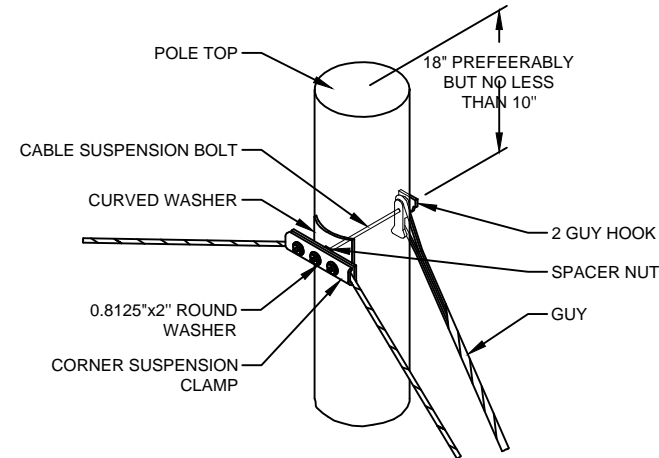
TYPICAL DETAIL "B"

POLE ARRANGEMENT FOR REPEATER OR HANDHOLE LOCATION



TYPICAL DETAIL "E"

SUSPENSION STRAND - PULL AWAY FROM POLE - 5 FEET OR MORE

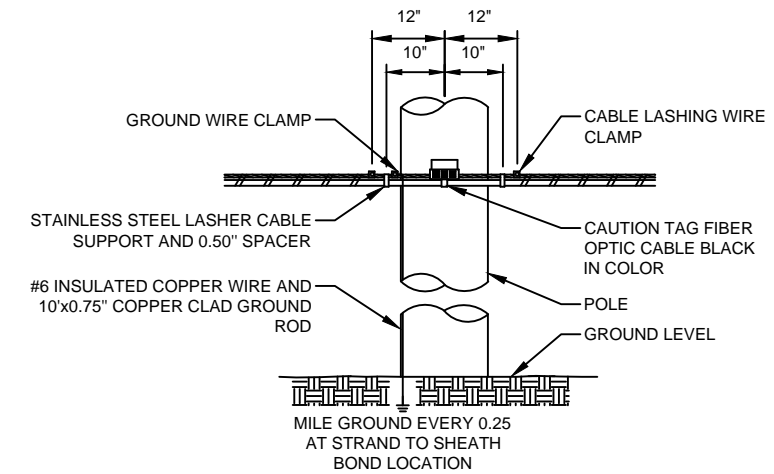


TYPICAL DETAIL "H"

LASHING WIRE GRIP AND CLAMP

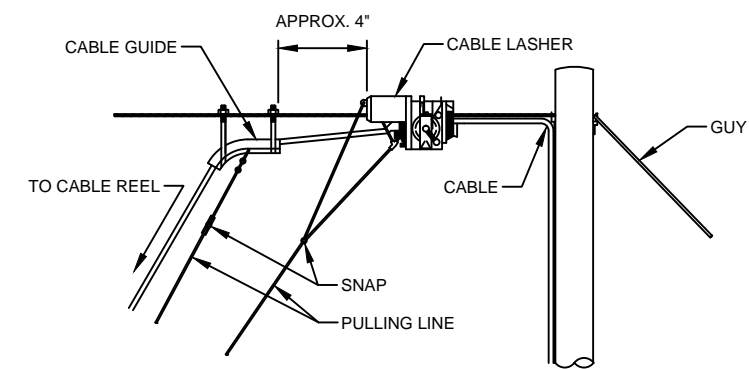
TYPICAL DETAIL "C"

TYPICAL CABLE & HARDWARE INSTALLATION



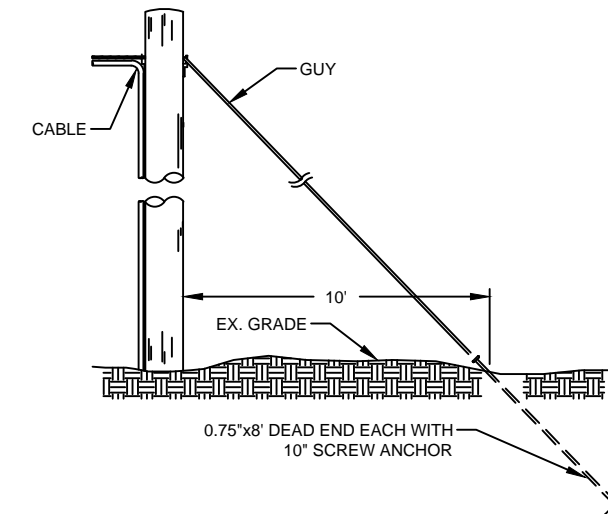
TYPICAL DETAIL "F"

TYPICAL ARRANGEMENT OF CABLE LASHER AND CABLE GUIDE



TYPICAL DETAIL "I"

ANCHOR & DOWN GUY



30" x 60" x 30" 30K STANDARD HANDHOLE DETAILS



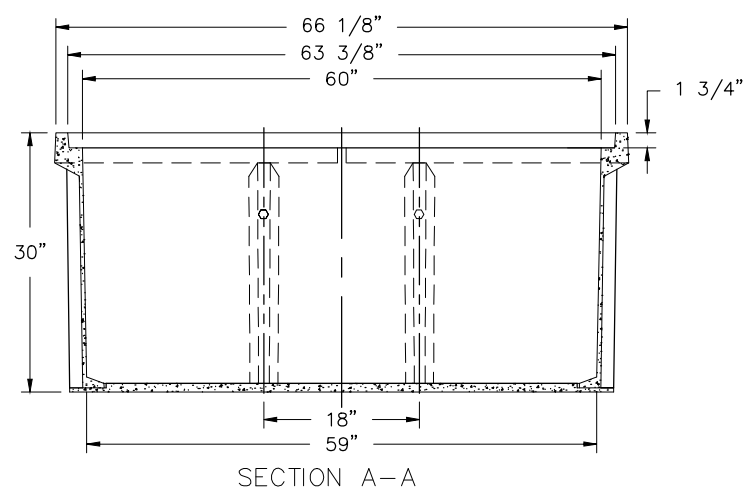
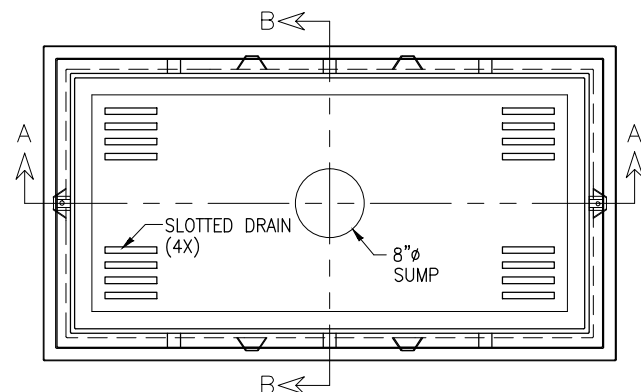
PROJECT: 1706ANAY.003

HOUSTON, TX

MISSOURI CITY TO CABRERA RD

DETAIL "A"

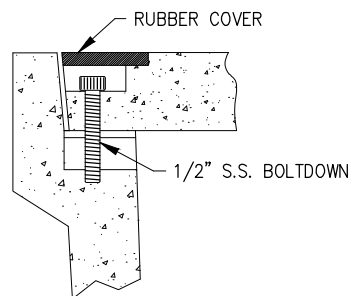
LOCKING DEVICE
CROSS SECTION



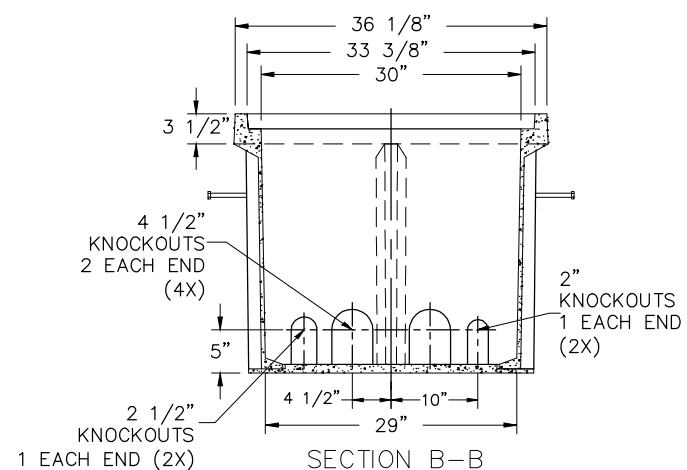
30K
M C I E
800 MCI-WORK
DETAIL A

DETAIL "B"

FLUSH MOUNT
COVER DETAIL



FLUSH MOUNT COVER DETAIL



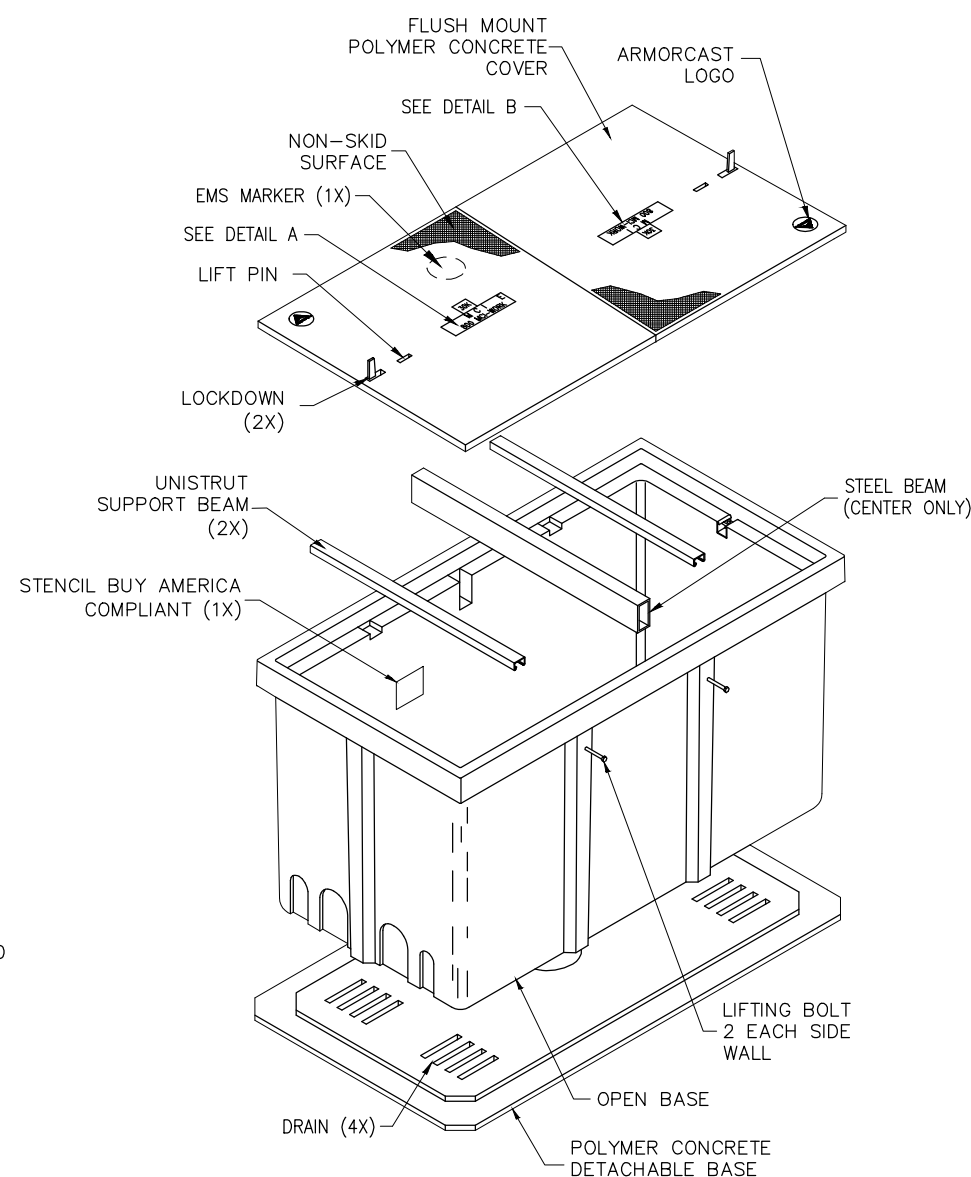
30K
M C I
800 MCI-WORK
DETAIL B

SEALED PLASTIC BAG PLACED INSIDE VAULT TO CONTAIN

ITEM	QTY	DESCRIPTION
1	(1)	JOHNNY LOCK KEY
2	(2)	S.S. JOHNNY BOLTS W/FLAT WASHER.
3		SHRINK WRAP COVERS TO FRAME FOR PACKAGING.

DETAIL "C"

EXPLODED ISOMETRIC DETAIL



30K STANDARD HANDHOLE
30"x60"x30" POLYMER CONCRETE FLUSH MOUNT ASSEMBLY
MEETS SCTE/ANSI 77-TIER 22 LOADING CRITERIA
ADDITIONAL REQUIREMENTS:
DESIGNED LOAD: 30,000 LBS
MINIMUM FAILURE LOAD: 45,000 LBS

Mcimetro
ACCESS TRANSMISSION SERVICES
CORPORATION

OUTSIDE PLANT CONSTRUCTION

TITLE: FIBER OPTIC ROUTE
MISSOURI CITY TO CABRERA RD
HOUSTON, TX

DATE: 8/21/18

ENGINEER: L. STALCUP

DRAWN BY: G.F.S. (JCV)

REVISIONS

No.	DATE	DESCRIPTION	BY

EXCEPT AS MAY BE OTHERWISE PROVIDED BY CONTRACT, THESE DRAWINGS AND SPECIFICATIONS SHALL REMAIN THE PROPERTY OF MCI COMMUNICATIONS SERVICES INC. BOTH BEING ISSUED IN STRICT CONFIDENCE AND SHALL NOT BE REPRODUCED, COPIED, OR USED FOR ANY PURPOSE WITHOUT SPECIFIC WRITTEN PERMISSION.

SCALE

HORIZONTAL: 1"= N/A

VERTICAL: 1"= N/A

MP TO MP

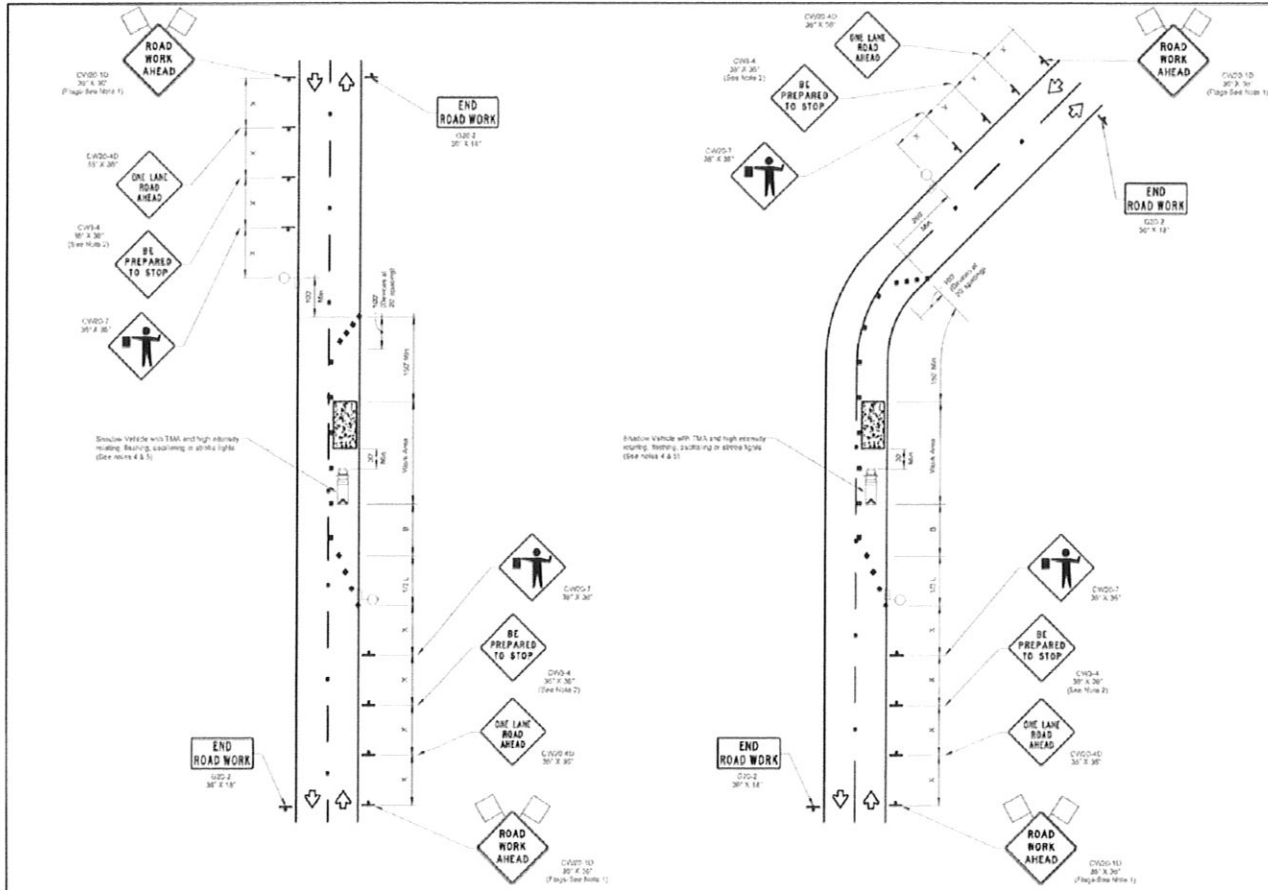
SHEET 07A OF 18

FILE: ECC-FBRBLD01007.AC.LIN

TRAFFIC CONTROL PLAN DETAILS



PROJECT: 1708ANAY 003
HOUSTON, TX
MISSOURI CITY TO CABRERA RD



ONE-LANE TWO-WAY SINGLE LANE CLOSURE CONTROL WITH FLAGGERS (ON STRAIGHT SECTION OF ROADWAY)

ONE-LANE TWO-WAY SINGLE LANE CLOSURE CONTROL WITH FLAGGERS (ON CURVED SECTION OF ROADWAY)

TRAFFIC CONTROL PLAN SECTION SHALL BE COMPLETED BY ENGINEER

ROADWAY	POSTED SPEED	PAVER LENGTH	SPACING CHANGE DEVICE TAPER	CHANGING DEVICE TANGENT	SDPA SPACING	SUFFER SPACE
CABRERA DR	35 MPH	24'	30'	70'	150'	120'
CULPEPER	45 MPH	32'	37'	80'	240'	150'

LEGEND

Type 3 Barricade	Channelizing Device
Flare Mount	Flare Mount Alternative (FMA)
Trailer Mounted Flaring Arrow Board	Portable Changeable Message Sign (PCMS)
Sign	Traffic Flow
Flag	Flagger

Posted Speed	Vehicle	Minimum Clearance Factor Lengths (L)			Suggested Minimum Spacing of Channelizing Devices		Minimum Sign Spacing (S)	Suggested Individual Buffer Space (B)
		12' Offset	11' Offset	12' Offset	12' Offset	12' Offset		
30	100'	150'	150'	150'	30'	60'	120'	80'
35	150'	210'	210'	210'	30'	70'	150'	120'
40	200'	270'	270'	270'	42'	80'	240'	150'
45	250'	330'	330'	330'	45'	90'	320'	190'
50	300'	390'	390'	390'	50'	100'	400'	240'
55	350'	450'	450'	450'	55'	110'	500'	290'
60	400'	510'	510'	510'	60'	120'	600'	350'
65	450'	570'	570'	570'	65'	130'	700'	410'
70	500'	630'	630'	630'	70'	140'	800'	470'
75	550'	690'	690'	690'	75'	150'	900'	530'

1. Flaggers shall be positioned in the center of the road.
2. Flaggers shall be positioned in the center of the road.
3. Flaggers shall be positioned in the center of the road.

- GENERAL NOTES
- Flags attached to signs when shown as CPTC/FM.
 - All signs must be double sided when REQUIRED, except those shown with the orange symbol as CPTC/FM.
 - Signs for work vehicles or other equipment should be placed near the right of way and not parked on the closed roadway.
 - A Shadow Vehicle with TMA should be used when L is less than 100' or 150' less than L of the work zone exposure without adversely affecting the performance or quality of the work. It shall be no longer present but used for work conditions that are the initial location or work in place. Type 3 Barricades or other channelizing devices may be substituted for the Shadow Vehicle and TMA.
 - Additional Shadow Vehicles with TMA may be positioned off the paved surface. All to have shown in order to prevent work stoppage.
 - Contractor shall provide and install traffic control devices in accordance with part 16 of Texas Manual on Uniform Traffic Control Devices (TMUTCD). Lanes will not be reopened during construction.
 - Flag areas shall be isolated from Earth, Sun, and Storm by a Safety Barrier and a Sign.
 - Off duty police officers/flaggers are required to direct traffic when applicable.
 - If project is within 500 feet from a signalized intersection, the Contractor shall contact Harris County Engineering Department, Traffic Signal Maintenance at (713) 987-5270 two (2) days prior to start of construction.

NO.	DATE	BY	DESCRIPTION
1	8-22-18	TEO	UPDATED DEPARTMENT NAME & GENERAL NOTES



TEO, LLC
5510 Community Drive
Houston, Texas
77056
281.556.8100 OFFICE
713.688.8234 FAX
info@teo.com
P.O. Box 4, F. 8818



PROJECT	1708ANAY MISSOURI CITY TO CABRERA RD
DESIGNER	EVING CABLE CONSTRUCTION
CHECKED BY	SCOTT BRIDGES
DATE	8-22-18
SCALE	AS SHOWN
PROJECT NO.	1708ANAY
SHEET NO.	8A OF 18

McMetrans ACCESS TRANSMISSION SERVICES CORPORATION
OUTSIDE PLANT CONSTRUCTION
TITLE: FIBER OPTIC ROUTE
MISSOURI CITY TO CABRERA RD
HOUSTON, TX

DATE: 8/21/18
ENGINEER: L STALCUP
DRAWN BY: O F S (JCV)

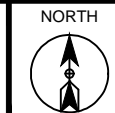
REVISIONS

NO.	DATE	DESCRIPTION	BY

RECEIVED AS SET BY OTHERS. THE OWNER'S CONTRACT, THESE CONDITIONS AND SPECIFICATIONS SHALL BE THE PROPERTY OF THE ENGINEER AND SHALL BE RETURNED TO THE ENGINEER'S OFFICE OR DESTROYED BY THE ENGINEER WITHOUT SPECIFIC WRITTEN PERMISSION.

SCALE
HORIZONTAL: 1" = 1/4" N/A
VERTICAL: 1" = 1/4" N/A
MP TO MP
SHEET 8A OF 18
FILE: ECC-FBRBLD01008BC.LIN

HOUSTON, TX
HARRIS COUNTY



PROJECT: 1706ANAY.003

HOUSTON, TX

MISSOURI CITY TO CABRERA RD

CLARIFICATION NO.	QUANTITY
PLACE HANDHOLE	3
PROP. 1-2" HDPE	580'
PULL 1-144F CABLE	860'
PLACE MARKER	3

McImetro
ACCESS TRANSMISSION SERVICES
CORPORATION

OUTSIDE PLANT CONSTRUCTION

TITLE: FIBER OPTIC ROUTE
MISSOURI CITY TO CABRERA RD
HOUSTON, TX

DATE: 8/21/18

ENGINEER: L. STALCUP

DRAWN BY: G.F.S. (JCV)

REVISIONS

No.	DATE	DESCRIPTION	BY

EXCEPT AS MAY BE OTHERWISE PROVIDED BY CONTRACT, THESE DRAWINGS AND SPECIFICATIONS SHALL REMAIN THE PROPERTY OF MCI COMMUNICATIONS SERVICES INC. BOTH BEING ISSUED IN STRICT CONFIDENCE AND SHALL NOT BE REPRODUCED, COPIED, OR USED FOR ANY PURPOSE WITHOUT SPECIFIC WRITTEN PERMISSION.

SCALE

HORIZONTAL: 1" = 50'

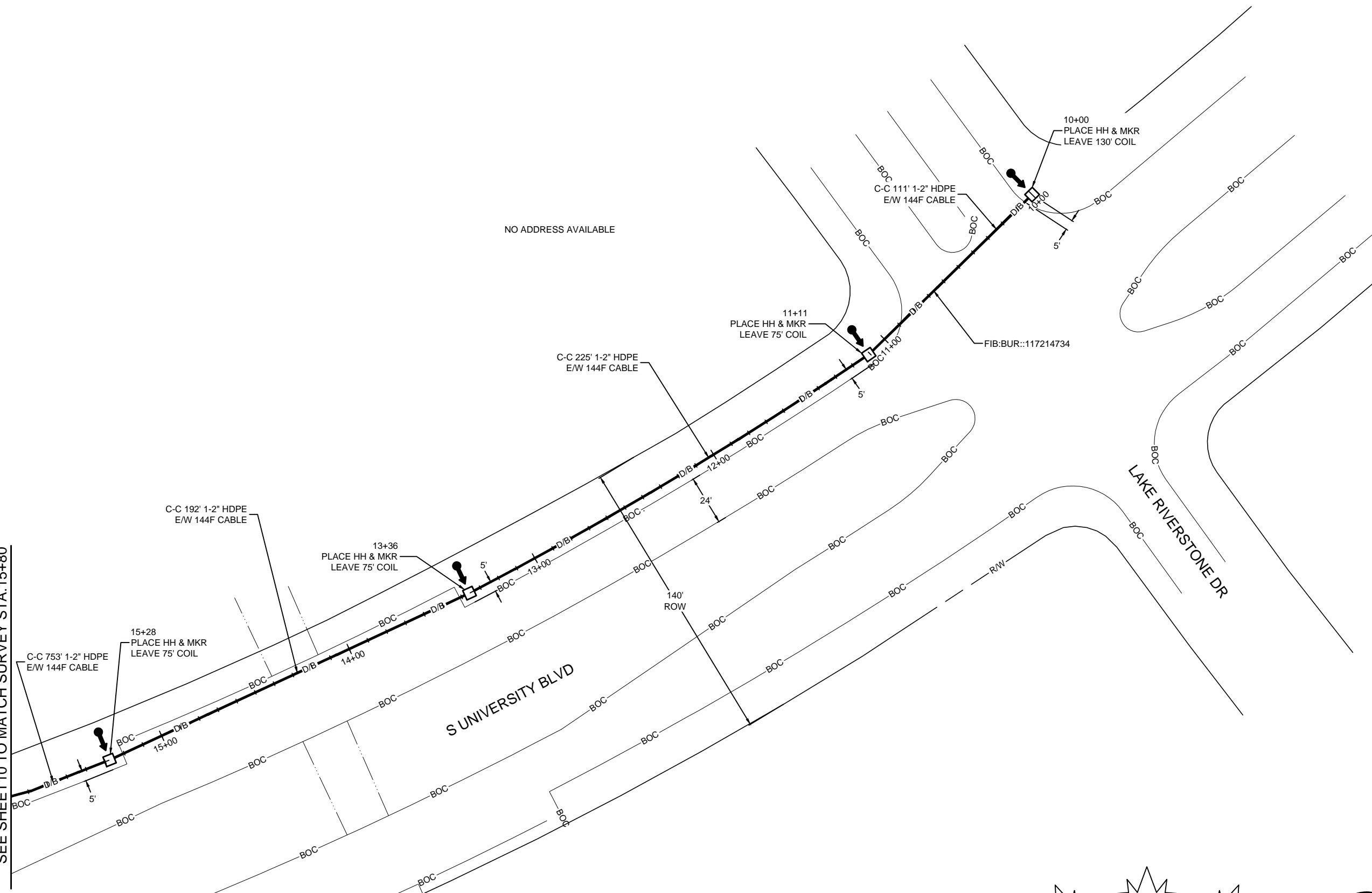
VERTICAL: 1" = N/A

MP _____ TO MP _____

SHEET 09 OF 18

FILE: ECC-FBRBLD01009.AC.LIN

SEE SHEET 10 TO MATCH SURVEY STA. 15+80



!!! CAUTION !!!
PIPELINE SERVICE LINES
THRU THIS AREA HAVE NOT BEEN
IDENTIFIED NOR INDICATED.



CALL BEFORE YOU DIG
1-800-545-6005
48 HOURS NOTICE REQUIRED

UNDERGROUND UTILITIES HAVE BEEN PLOTTED FROM AVAILABLE RECORDS AND FIELD OBSERVATIONS BUT ARE NOT NECESSARILY EXACT. IT IS THE CONTRACTORS RESPONSIBILITY TO FIELD LOCATE ALL UNDERGROUND OBSTRUCTIONS AND UTILITIES PRIOR TO CONSTRUCTION. COMPLETE REPAIR OF ANY AND ALL DAMAGES INCURRED SHALL BE AT THE EXPENSE OF THE CONTRACTOR.

RIGHT OF WAY LINES WERE ESTABLISHED BY RESEARCH OF PUBLIC INFORMATION. NO BOUNDARY SURVEY OR PROPERTY LINE SURVEY WAS ESTABLISHED BY GOLDEN FIELD SERVICES, INC.. RIGHT OF WAY BOUNDARY MUST BE FIELD VERIFIED BY A REGISTERED PROFESSIONAL LAND SURVEYOR TO ACCURATELY VERIFY RIGHT OF WAY AND PROPERTY LINES PRIOR TO CONSTRUCTION.

HOUSTON, TX
HARRIS COUNTY



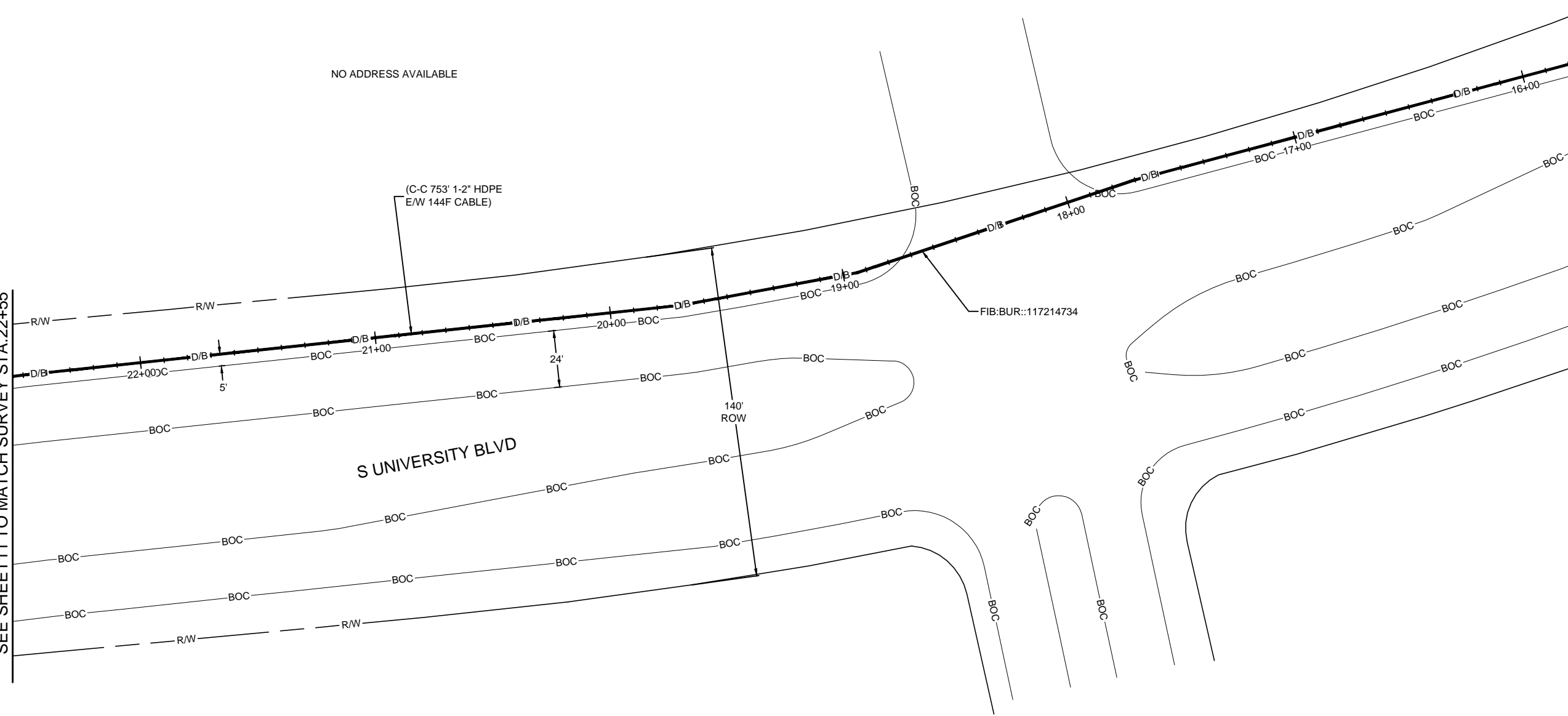
PROJECT: 1706ANAY.003

HOUSTON, TX
MISSOURI CITY TO CABRERA RD

CLARIFICATION NO.	QUANTITY
PROP. 1-2" HDPE	675'
PULL 1-144F CABLE	675'

SEE SHEET 9 TO MATCH SURVEY STA. 15+80

SEE SHEET 11 TO MATCH SURVEY STA. 22+55



MCI metro
 ACCESS TRANSMISSION SERVICES CORPORATION
 OUTSIDE PLANT CONSTRUCTION
 TITLE: FIBER OPTIC ROUTE
 MISSOURI CITY TO CABRERA RD
 HOUSTON, TX

DATE: 8/21/18
ENGINEER: L. STALCUP
DRAWN BY: G.F.S. (JCV)

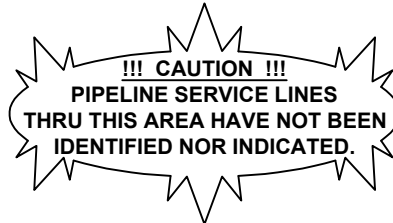
REVISIONS			
No.	DATE	DESCRIPTION	BY

EXCEPT AS MAY BE OTHERWISE PROVIDED BY CONTRACT, THESE DRAWINGS AND SPECIFICATIONS SHALL REMAIN THE PROPERTY OF MCI COMMUNICATIONS SERVICES INC. BOTH BEING ISSUED IN STRICT CONFIDENCE AND SHALL NOT BE REPRODUCED, COPIED, OR USED FOR ANY PURPOSE WITHOUT SPECIFIC WRITTEN PERMISSION.

SCALE
 HORIZONTAL: 1" = 50'
 VERTICAL: 1" = N/A
 MP _____ TO MP _____
 SHEET 10 OF 18
 FILE: ECC-FBRBLD01010AC.LIN

UNDERGROUND UTILITIES HAVE BEEN PLOTTED FROM AVAILABLE RECORDS AND FIELD OBSERVATIONS BUT ARE NOT NECESSARILY EXACT. IT IS THE CONTRACTORS RESPONSIBILITY TO FIELD LOCATE ALL UNDERGROUND OBSTRUCTIONS AND UTILITIES PRIOR TO CONSTRUCTION. COMPLETE REPAIR OF ANY AND ALL DAMAGES INCURRED SHALL BE AT THE EXPENSE OF THE CONTRACTOR.

RIGHT OF WAY LINES WERE ESTABLISHED BY RESEARCH OF PUBLIC INFORMATION. NO BOUNDARY SURVEY OR PROPERTY LINE SURVEY WAS ESTABLISHED BY GOLDEN FIELD SERVICES, INC.. RIGHT OF WAY BOUNDARY MUST BE FIELD VERIFIED BY A REGISTERED PROFESSIONAL LAND SURVEYOR TO ACCURATELY VERIFY RIGHT OF WAY AND PROPERTY LINES PRIOR TO CONSTRUCTION.



HOUSTON, TX
HARRIS COUNTY

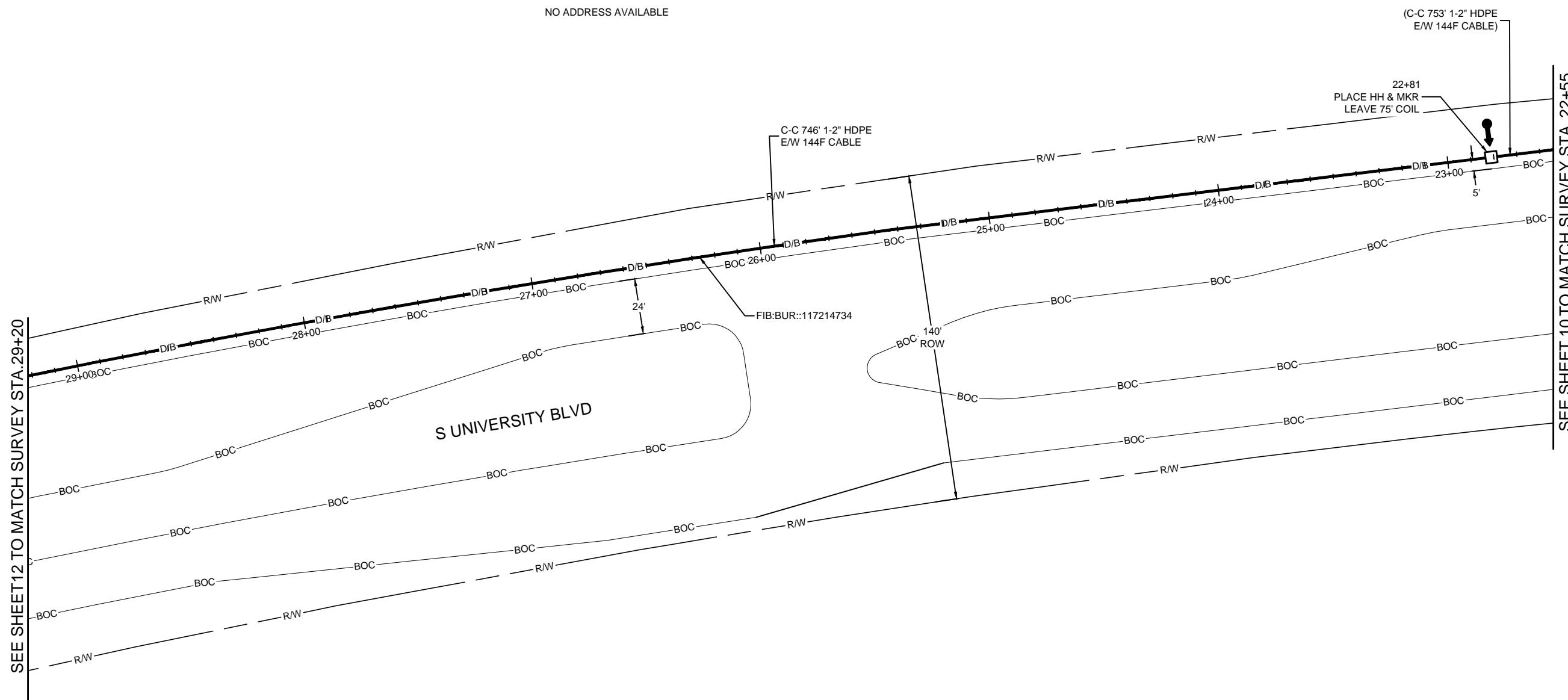


PROJECT: 1706ANAY.003

HOUSTON, TX
MISSOURI CITY TO CABRERA RD

CLARIFICATION NO.	QUANTITY
PLACE HANDHOLE	1
PROP. 1-2" HDPE	440'
PULL 1-144F CABLE	515'
PLACE MARKER	1

NO ADDRESS AVAILABLE



SEE SHEET 12 TO MATCH SURVEY STA. 29+20

SEE SHEET 10 TO MATCH SURVEY STA. 22+55

MCImetro
ACCESS TRANSMISSION SERVICES
CORPORATION
OUTSIDE PLANT CONSTRUCTION
TITLE: FIBER OPTIC ROUTE
MISSOURI CITY TO CABRERA RD
HOUSTON, TX

DATE: 8/21/18
ENGINEER: L. STALCUP
DRAWN BY: G.F.S. (JCV)

REVISIONS			
No.	DATE	DESCRIPTION	BY

EXCEPT AS MAY BE OTHERWISE PROVIDED BY CONTRACT, THESE DRAWINGS AND SPECIFICATIONS SHALL REMAIN THE PROPERTY OF MCI COMMUNICATIONS SERVICES INC. BOTH BEING ISSUED IN STRICT CONFIDENCE AND SHALL NOT BE REPRODUCED, COPIED, OR USED FOR ANY PURPOSE WITHOUT SPECIFIC WRITTEN PERMISSION.

SCALE
HORIZONTAL: 1" = 50'
VERTICAL: 1" = N/A
MP _____ TO MP _____
SHEET 11 OF 18
FILE: ECC-FBRBLD01011.AC.LIN

UNDERGROUND UTILITIES HAVE BEEN PLOTTED FROM AVAILABLE RECORDS AND FIELD OBSERVATIONS BUT ARE NOT NECESSARILY EXACT. IT IS THE CONTRACTORS RESPONSIBILITY TO FIELD LOCATE ALL UNDERGROUND OBSTRUCTIONS AND UTILITIES PRIOR TO CONSTRUCTION. COMPLETE REPAIR OF ANY AND ALL DAMAGES INCURRED SHALL BE AT THE EXPENSE OF THE CONTRACTOR.

RIGHT OF WAY LINES WERE ESTABLISHED BY RESEARCH OF PUBLIC INFORMATION. NO BOUNDARY SURVEY OR PROPERTY LINE SURVEY WAS ESTABLISHED BY GOLDEN FIELD SERVICES, INC.. RIGHT OF WAY BOUNDARY MUST BE FIELD VERIFIED BY A REGISTERED PROFESSIONAL LAND SURVEYOR TO ACCURATELY VERIFY RIGHT OF WAY AND PROPERTY LINES PRIOR TO CONSTRUCTION.

!!! CAUTION !!!
PIPELINE SERVICE LINES
THRU THIS AREA HAVE NOT BEEN
IDENTIFIED NOR INDICATED.



CALL BEFORE YOU DIG
1-800-545-6005
48 HOURS NOTICE REQUIRED

HOUSTON, TX
HARRIS COUNTY

SEE SHEET 13 TO MATCH SURVEY STA. 33+60

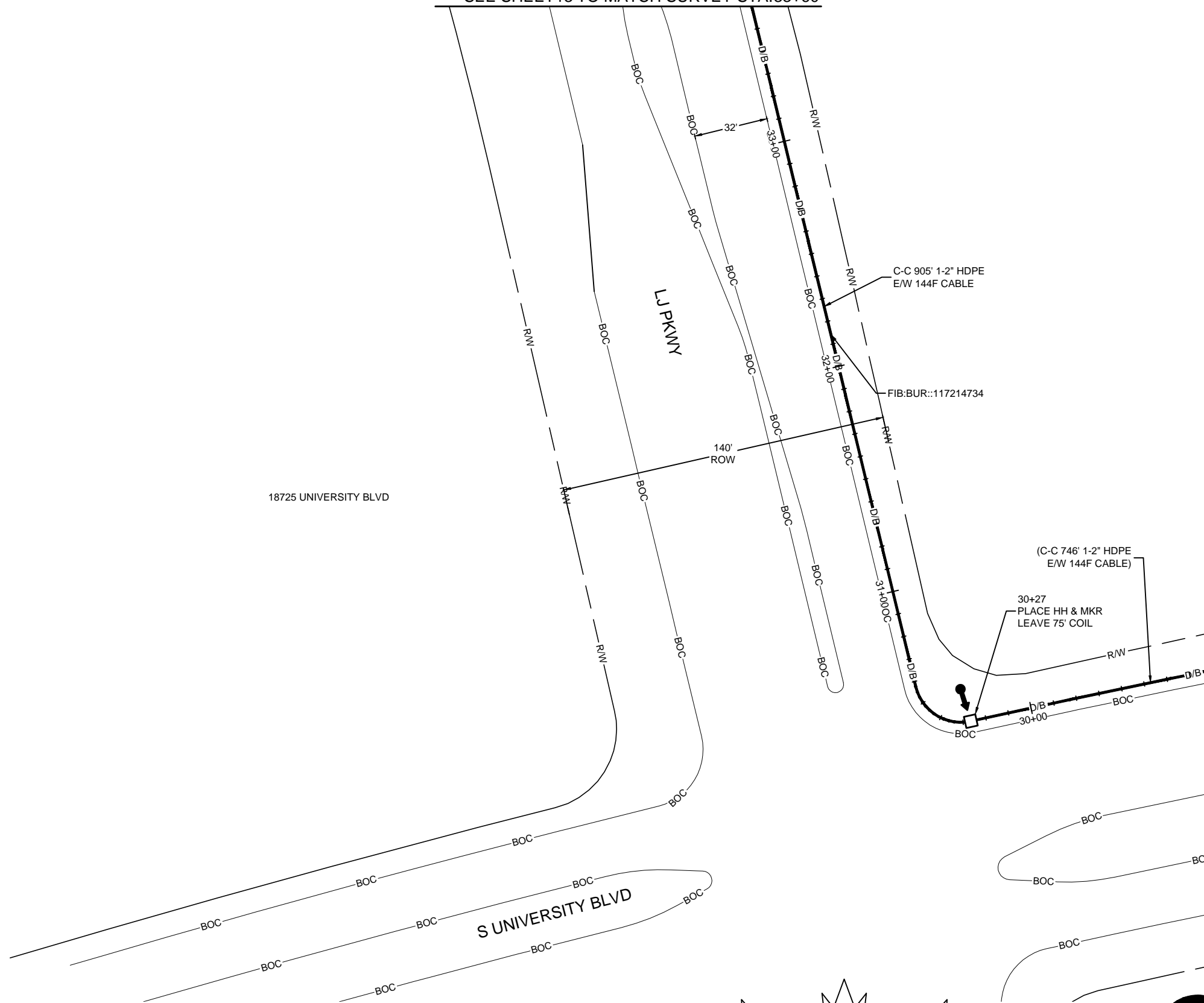


PROJECT: 1706ANAY.003

HOUSTON, TX

MISSOURI CITY TO CABRERA RD

CLARIFICATION NO.	QUANTITY
PLACE HANDHOLE	1
PROP. 1-2" HDPE	440'
PULL 1-144F CABLE	515'
PLACE MARKER	1



MCImetro
ACCESS TRANSMISSION SERVICES
CORPORATION

OUTSIDE PLANT CONSTRUCTION

TITLE: FIBER OPTIC ROUTE
MISSOURI CITY TO CABRERA RD
HOUSTON, TX

DATE: 8/21/18

ENGINEER: L. STALCUP

DRAWN BY: G.F.S. (JCV)

REVISIONS

No.	DATE	DESCRIPTION	BY

EXCEPT AS MAY BE OTHERWISE PROVIDED BY CONTRACT, THESE DRAWINGS AND SPECIFICATIONS SHALL REMAIN THE PROPERTY OF MCI COMMUNICATIONS SERVICES INC. BOTH BEING ISSUED IN STRICT CONFIDENCE AND SHALL NOT BE REPRODUCED, COPIED, OR USED FOR ANY PURPOSE WITHOUT SPECIFIC WRITTEN PERMISSION.

SCALE

HORIZONTAL: 1" = 50'

VERTICAL: 1" = N/A

MP _____ TO MP _____

SHEET 12 OF 18

FILE: ECC-FBRBLD01012AC.LIN

UNDERGROUND UTILITIES HAVE BEEN PLOTTED FROM AVAILABLE RECORDS AND FIELD OBSERVATIONS BUT ARE NOT NECESSARILY EXACT. IT IS THE CONTRACTORS RESPONSIBILITY TO FIELD LOCATE ALL UNDERGROUND OBSTRUCTIONS AND UTILITIES PRIOR TO CONSTRUCTION. COMPLETE REPAIR OF ANY AND ALL DAMAGES INCURRED SHALL BE AT THE EXPENSE OF THE CONTRACTOR.

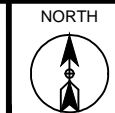
RIGHT OF WAY LINES WERE ESTABLISHED BY RESEARCH OF PUBLIC INFORMATION. NO BOUNDARY SURVEY OR PROPERTY LINE SURVEY WAS ESTABLISHED BY GOLDEN FIELD SERVICES, INC.. RIGHT OF WAY BOUNDARY MUST BE FIELD VERIFIED BY A REGISTERED PROFESSIONAL LAND SURVEYOR TO ACCURATELY VERIFY RIGHT OF WAY AND PROPERTY LINES PRIOR TO CONSTRUCTION.

!!! CAUTION !!!
PIPELINE SERVICE LINES
THRU THIS AREA HAVE NOT BEEN
IDENTIFIED NOR INDICATED.

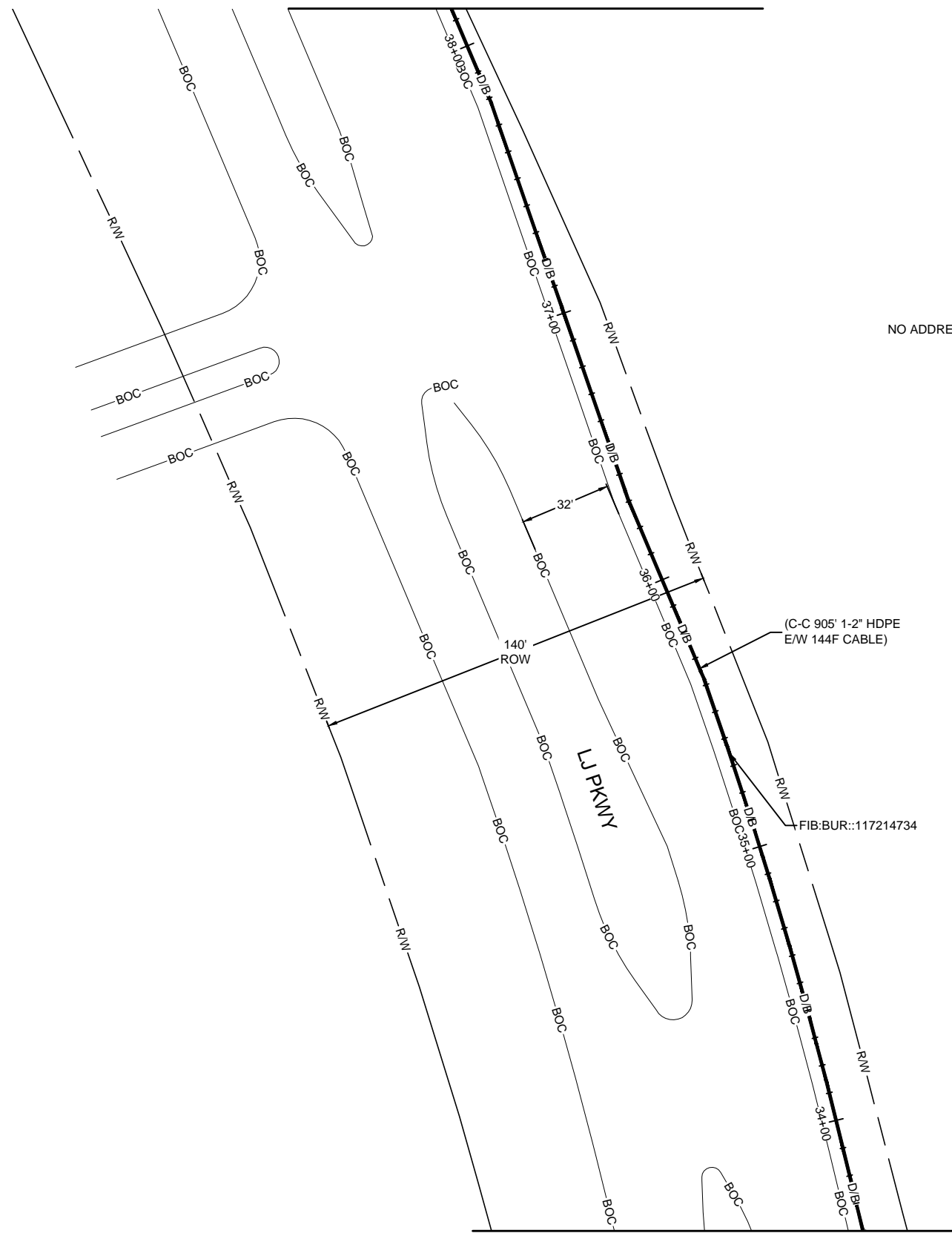


CALL BEFORE YOU DIG
1-800-545-6005
48 HOURS NOTICE REQUIRED

HOUSTON, TX
HARRIS COUNTY



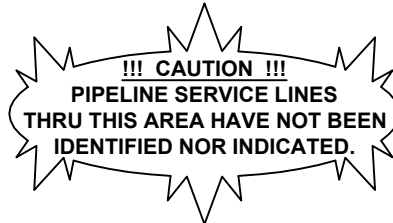
SEE SHEET 14 TO MATCH SURVEY STA. 38+15



SEE SHEET 12 TO MATCH SURVEY STA. 33+60

UNDERGROUND UTILITIES HAVE BEEN PLOTTED FROM AVAILABLE RECORDS AND FIELD OBSERVATIONS BUT ARE NOT NECESSARILY EXACT. IT IS THE CONTRACTORS RESPONSIBILITY TO FIELD LOCATE ALL UNDERGROUND OBSTRUCTIONS AND UTILITIES PRIOR TO CONSTRUCTION. COMPLETE REPAIR OF ANY AND ALL DAMAGES INCURRED SHALL BE AT THE EXPENSE OF THE CONTRACTOR.

RIGHT OF WAY LINES WERE ESTABLISHED BY RESEARCH OF PUBLIC INFORMATION. NO BOUNDARY SURVEY OR PROPERTY LINE SURVEY WAS ESTABLISHED BY GOLDEN FIELD SERVICES, INC.. RIGHT OF WAY BOUNDARY MUST BE FIELD VERIFIED BY A REGISTERED PROFESSIONAL LAND SURVEYOR TO ACCURATELY VERIFY RIGHT OF WAY AND PROPERTY LINES PRIOR TO CONSTRUCTION.



CALL BEFORE YOU DIG
1-800-545-6005
48 HOURS NOTICE REQUIRED

PROJECT: 1706ANAY.003

HOUSTON, TX
MISSOURI CITY TO CABRERA RD

CLARIFICATION NO.	QUANTITY
PROP. 1-2" HDPE	455'
PULL 1-144F CABLE	455'

MCI metro
ACCESS TRANSMISSION SERVICES CORPORATION
OUTSIDE PLANT CONSTRUCTION
TITLE: FIBER OPTIC ROUTE
MISSOURI CITY TO CABRERA RD
HOUSTON, TX

DATE: 8/21/18

ENGINEER: L. STALCUP

DRAWN BY: G.F.S. (JCV)

REVISIONS

No.	DATE	DESCRIPTION	BY

EXCEPT AS MAY BE OTHERWISE PROVIDED BY CONTRACT, THESE DRAWINGS AND SPECIFICATIONS SHALL REMAIN THE PROPERTY OF MCI COMMUNICATIONS SERVICES INC. BOTH BEING ISSUED IN STRICT CONFIDENCE AND SHALL NOT BE REPRODUCED, COPIED, OR USED FOR ANY PURPOSE WITHOUT SPECIFIC WRITTEN PERMISSION.

SCALE

HORIZONTAL: 1" = 50'

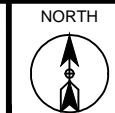
VERTICAL: 1" = N/A

MP _____ TO MP _____

SHEET 13 OF 18

FILE: ECC-FBRBLD01013AC.LIN

HOUSTON, TX
HARRIS COUNTY



PROJECT: 1706ANAY.003

HOUSTON, TX
MISSOURI CITY TO CABRERA RD

CLARIFICATION NO.	QUANTITY
PLACE HANDHOLE	3
PROP. 1-2" HDPE	269'
PULL 1-144F CABLE	494'
PLACE 6M STRAND	301'
LASH 1-144F CABLE	276'
DOWN GUY & ANCHOR	1
RISER: 2' U GUARD	1
PLACE MARKER	3

MCImetro
ACCESS TRANSMISSION SERVICES
CORPORATION
OUTSIDE PLANT CONSTRUCTION
TITLE: FIBER OPTIC ROUTE
MISSOURI CITY TO CABRERA RD
HOUSTON, TX

DATE: 8/21/18

ENGINEER: L. STALCUP

DRAWN BY: G.F.S. (JCV)

REVISIONS

No.	DATE	DESCRIPTION	BY

EXCEPT AS MAY BE OTHERWISE PROVIDED BY CONTRACT, THESE DRAWINGS AND SPECIFICATIONS SHALL REMAIN THE PROPERTY OF MCI COMMUNICATIONS SERVICES INC. BOTH BEING ISSUED IN STRICT CONFIDENCE AND SHALL NOT BE REPRODUCED, COPIED, OR USED FOR ANY PURPOSE WITHOUT SPECIFIC WRITTEN PERMISSION.

SCALE

HORIZONTAL: 1" = 50'
VERTICAL: 1" = N/A

MP _____ TO MP _____

SHEET 14 OF 18

FILE: ECC-FBRBLD01014.AC.LIN

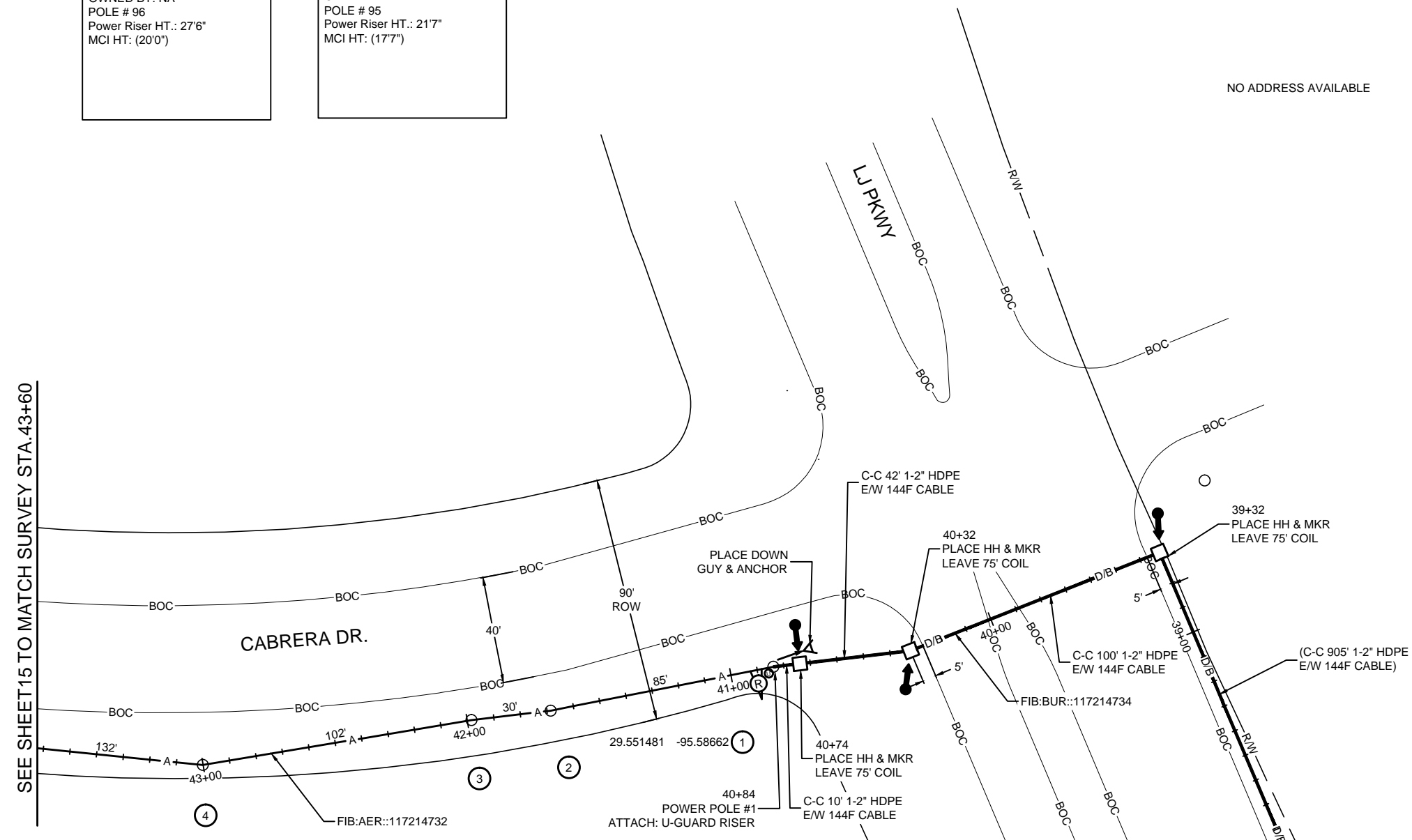
SEQ. POLE REF.# 1
40+84
OWNED BY: NA
POLE # 98
Neutral HT.: 36'6"
MCI HT: (20'0")

SEQ. POLE REF.# 2
41+69
OWNED BY: NA
POLE # 98
Power Riser Drip Loop HT.: 18'8"
MCI HT: (15'2")

SEQ. POLE REF.# 3
41+99
OWNED BY: NA
POLE # 96
Power Riser HT.: 27'6"
MCI HT: (20'0")

SEQ. POLE REF.# 4
43+01
OWNED BY: NA
POLE # 95
Power Riser HT.: 21'7"
MCI HT: (17'7")

SEE SHEET 15 TO MATCH SURVEY STA. 43+60



NO ADDRESS AVAILABLE

SEE SHEET 13 TO MATCH SURVEY STA. 38+15

!!! CAUTION !!!
PIPELINE SERVICE LINES
THRU THIS AREA HAVE NOT BEEN
IDENTIFIED NOR INDICATED.



CALL BEFORE YOU DIG
1-800-545-6005
48 HOURS NOTICE REQUIRED

UNDERGROUND UTILITIES HAVE BEEN PLOTTED FROM AVAILABLE RECORDS AND FIELD OBSERVATIONS BUT ARE NOT NECESSARILY EXACT. IT IS THE CONTRACTORS RESPONSIBILITY TO FIELD LOCATE ALL UNDERGROUND OBSTRUCTIONS AND UTILITIES PRIOR TO CONSTRUCTION. COMPLETE REPAIR OF ANY AND ALL DAMAGES INCURRED SHALL BE AT THE EXPENSE OF THE CONTRACTOR.

RIGHT OF WAY LINES WERE ESTABLISHED BY RESEARCH OF PUBLIC INFORMATION. NO BOUNDARY SURVEY OR PROPERTY LINE SURVEY WAS ESTABLISHED BY GOLDEN FIELD SERVICES, INC.. RIGHT OF WAY BOUNDARY MUST BE FIELD VERIFIED BY A REGISTERED PROFESSIONAL LAND SURVEYOR TO ACCURATELY VERIFY RIGHT OF WAY AND PROPERTY LINES PRIOR TO CONSTRUCTION.

HOUSTON, TX
HARRIS COUNTY



PROJECT: 1706ANAY.003

HOUSTON, TX
MISSOURI CITY TO CABRERA RD

CLARIFICATION NO.	QUANTITY
PLACE 1-6M STRAND	720'
LASH 1-144F CABLE	670'
DOWN GUY & ANCHOR	2

SEQ. POLE REF.# 10
48+69
OWNED BY: NA
POLE # 36
Transformer Drip Loop HT.: 25'3"
Comcast HT: 18'6"
Phonoscope Lightwave HT: 17'0"
MCI HT: (16'0")

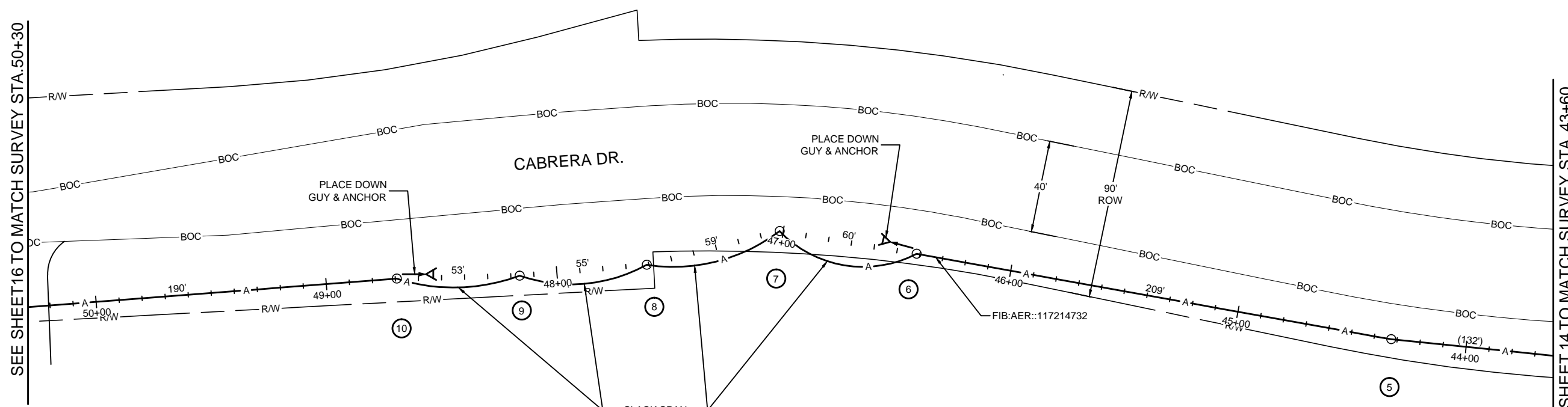
SEQ. POLE REF.# 9
48+16
OWNED BY: NA
POLE # 90
Neutral HT.: 30'9"
Comcast HT: 19'5"
Phonoscope Lightwave HT: 17'5"
MCI HT: (16'5")

SEQ. POLE REF.# 8
47+61
OWNED BY: NA
POLE # 91
Neutral HT.: 36'6"
Comcast HT: 23'6"
Phonoscope Lightwave HT: 20'5"
MCI HT: (19'5")

SEQ. POLE REF.# 7
47+02
OWNED BY: NA
POLE # 92
Power Riser HT.: 18'11"
MCI HT: (14'11")

SEQ. POLE REF.# 6
46+42
OWNED BY: NA
POLE # 93
Neutral HT.: 31'0"
MCI HT: (20'0")

SEQ. POLE REF.# 5
44+33
OWNED BY: NA
POLE # 94
Transformer Drip Loop HT.: 21'9"
MCI HT: (18'3")



SEE SHEET 16 TO MATCH SURVEY STA. 50+30

SEE SHEET 14 TO MATCH SURVEY STA. 43+60

NO ADDRESS AVAILABLE

MCI metro
ACCESS TRANSMISSION SERVICES
CORPORATION
OUTSIDE PLANT CONSTRUCTION
TITLE: FIBER OPTIC ROUTE
MISSOURI CITY TO CABRERA RD
HOUSTON, TX

DATE: 8/21/18
ENGINEER: L. STALCUP
DRAWN BY: G.F.S. (JCV)

REVISIONS

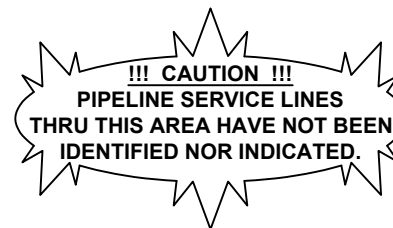
No.	DATE	DESCRIPTION	BY

EXCEPT AS MAY BE OTHERWISE PROVIDED BY CONTRACT, THESE DRAWINGS AND SPECIFICATIONS SHALL REMAIN THE PROPERTY OF MCI COMMUNICATIONS SERVICES INC. BOTH BEING ISSUED IN STRICT CONFIDENCE AND SHALL NOT BE REPRODUCED, COPIED, OR USED FOR ANY PURPOSE WITHOUT SPECIFIC WRITTEN PERMISSION.

SCALE
HORIZONTAL: 1" = 50'
VERTICAL: 1" = N/A
MP _____ TO MP _____
SHEET 15 OF 18
FILE: ECC-FBRBLD01015AC.LIN

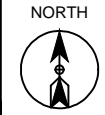
UNDERGROUND UTILITIES HAVE BEEN PLOTTED FROM AVAILABLE RECORDS AND FIELD OBSERVATIONS BUT ARE NOT NECESSARILY EXACT. IT IS THE CONTRACTORS RESPONSIBILITY TO FIELD LOCATE ALL UNDERGROUND OBSTRUCTIONS AND UTILITIES PRIOR TO CONSTRUCTION. COMPLETE REPAIR OF ANY AND ALL DAMAGES INCURRED SHALL BE AT THE EXPENSE OF THE CONTRACTOR.

RIGHT OF WAY LINES WERE ESTABLISHED BY RESEARCH OF PUBLIC INFORMATION. NO BOUNDARY SURVEY OR PROPERTY LINE SURVEY WAS ESTABLISHED BY GOLDEN FIELD SERVICES, INC.. RIGHT OF WAY BOUNDARY MUST BE FIELD VERIFIED BY A REGISTERED PROFESSIONAL LAND SURVEYOR TO ACCURATELY VERIFY RIGHT OF WAY AND PROPERTY LINES PRIOR TO CONSTRUCTION.



CALL BEFORE YOU DIG
1-800-545-6005
48 HOURS NOTICE REQUIRED

HOUSTON, TX
HARRIS COUNTY



PROJECT: 1706ANAY.003

HOUSTON, TX

MISSOURI CITY TO CABRERA RD

CLARIFICATION NO.	QUANTITY
PLACE 1-6M STRAND	660'
LASH 1-144F CABLE	760'

SEQ. POLE REF.# 15
56+50
OWNED BY: NA
POLE # 28
Neutral HT.: 33'0"
Comcast HT: 19'3"
MCI HT: (18'3")

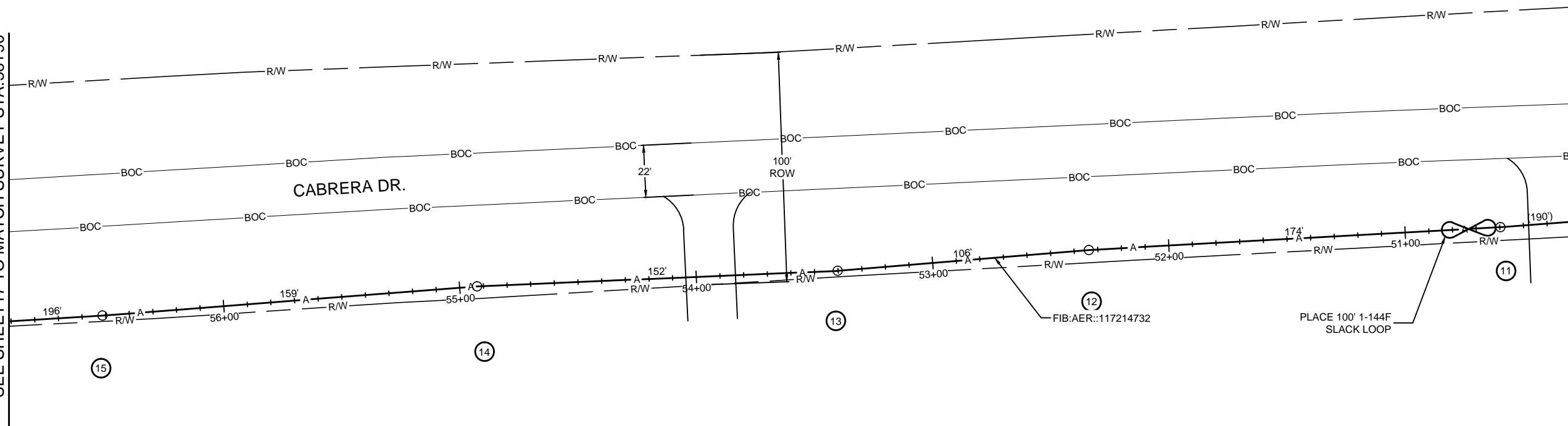
SEQ. POLE REF.# 14
54+91
OWNED BY: NA
POLE # 30
Power Riser Drip Loop HT.: 23'4"
Comcast HT: 21'9"
MCI HT: (19'9")

SEQ. POLE REF.# 13
53+39
OWNED BY: NA
POLE # 31
Power Riser HT.: 26'11"
Comcast HT: 22'9"
MCI HT: (21'9")

SEQ. POLE REF.# 12
52+33
OWNED BY: NA
POLE # 34
Primary HT.: 38'0"
Comcast HT: 23'0"
MCI HT: (22'0")

SEQ. POLE REF.# 11
50+59
OWNED BY: NA
POLE # 35
Transformer HT.: 25'3"
Comcast HT: 20'9"
Phonoscope Lightwave HT: 19'5"
MCI HT: (18'5")

SEE SHEET 17 TO MATCH SURVEY STA. 56+90

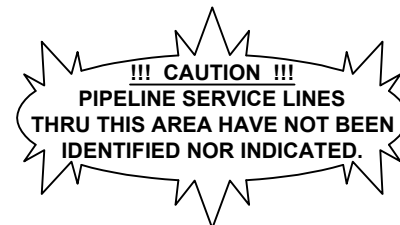


SEE SHEET 15 TO MATCH SURVEY STA. 50+30

NO ADDRESS AVAILABLE

UNDERGROUND UTILITIES HAVE BEEN PLOTTED FROM AVAILABLE RECORDS AND FIELD OBSERVATIONS BUT ARE NOT NECESSARILY EXACT. IT IS THE CONTRACTORS RESPONSIBILITY TO FIELD LOCATE ALL UNDERGROUND OBSTRUCTIONS AND UTILITIES PRIOR TO CONSTRUCTION. COMPLETE REPAIR OF ANY AND ALL DAMAGES INCURRED SHALL BE AT THE EXPENSE OF THE CONTRACTOR.

RIGHT OF WAY LINES WERE ESTABLISHED BY RESEARCH OF PUBLIC INFORMATION. NO BOUNDARY SURVEY OR PROPERTY LINE SURVEY WAS ESTABLISHED BY GOLDEN FIELD SERVICES, INC.. RIGHT OF WAY BOUNDARY MUST BE FIELD VERIFIED BY A REGISTERED PROFESSIONAL LAND SURVEYOR TO ACCURATELY VERIFY RIGHT OF WAY AND PROPERTY LINES PRIOR TO CONSTRUCTION.



CALL BEFORE YOU DIG
1-800-545-6005
48 HOURS NOTICE REQUIRED

DATE: 8/21/18

ENGINEER: L. STALCUP

DRAWN BY: G.F.S. (JCV)

REVISIONS

No.	DATE	DESCRIPTION	BY

EXCEPT AS MAY BE OTHERWISE PROVIDED BY CONTRACT, THESE DRAWINGS AND SPECIFICATIONS SHALL REMAIN THE PROPERTY OF MCI COMMUNICATIONS SERVICES INC. BOTH BEING ISSUED IN STRICT CONFIDENCE AND SHALL NOT BE REPRODUCED, COPIED, OR USED FOR ANY PURPOSE WITHOUT SPECIFIC WRITTEN PERMISSION.

SCALE

HORIZONTAL: 1" = 50'

VERTICAL: 1" = N/A

MP _____ TO MP _____

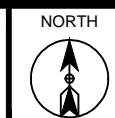
SHEET 16 OF 18

FILE: ECC-FBRBLD01016AC.LIN

MCI metro
ACCESS TRANSMISSION SERVICES CORPORATION
OUTSIDE PLANT CONSTRUCTION
TITLE: FIBER OPTIC ROUTE
MISSOURI CITY TO CABRERA RD
HOUSTON, TX

HOUSTON, TX
HARRIS COUNTY

SEE SHEET 18 TO MATCH SURVEY STA. 64+05



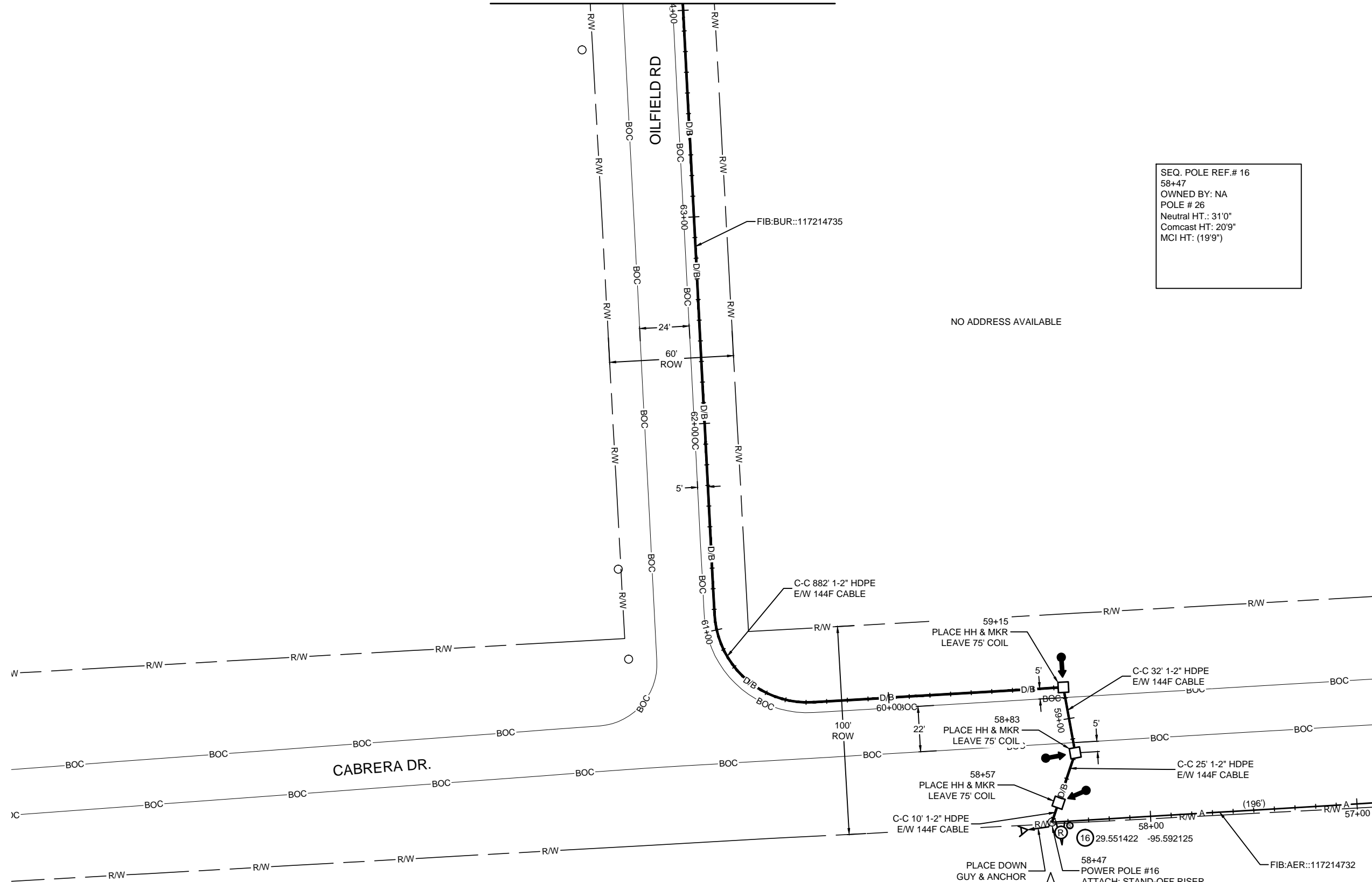
PROJECT: 1706ANAY.003

HOUSTON, TX
MISSOURI CITY TO CABRERA RD

CLARIFICATION NO.	QUANTITY
PLACE HANDHOLE	3
PROP. 1-2" HDPE	558'
PULL 1-144F CABLE	783'
PLACE 6M STRAND	182'
LASH 1-144F CABLE	157'
DOWN GUY & ANCHOR	1
RISER: 2" U GUARD	1
PLACE MARKER	3

SEQ. POLE REF.# 16
58+47
OWNED BY: NA
POLE # 26
Neutral HT.: 31'0"
Comcast HT: 20'9"
MCI HT: (19'9")

NO ADDRESS AVAILABLE



SEE SHEET 16 TO MATCH SURVEY STA. 56+90

DATE: 8/21/18

ENGINEER: L. STALCUP

DRAWN BY: G.F.S. (JCV)

REVISIONS			
No.	DATE	DESCRIPTION	BY

EXCEPT AS MAY BE OTHERWISE PROVIDED BY CONTRACT, THESE DRAWINGS AND SPECIFICATIONS SHALL REMAIN THE PROPERTY OF MCI COMMUNICATIONS SERVICES INC. BOTH BEING ISSUED IN STRICT CONFIDENCE AND SHALL NOT BE REPRODUCED, COPIED, OR USED FOR ANY PURPOSE WITHOUT SPECIFIC WRITTEN PERMISSION.

SCALE

HORIZONTAL: 1" = 50'

VERTICAL: 1" = N/A

MP _____ TO MP _____

SHEET 17 OF 18

FILE: ECC-FBRBLD01017.AC.LIN

UNDERGROUND UTILITIES HAVE BEEN PLOTTED FROM AVAILABLE RECORDS AND FIELD OBSERVATIONS BUT ARE NOT NECESSARILY EXACT. IT IS THE CONTRACTORS RESPONSIBILITY TO FIELD LOCATE ALL UNDERGROUND OBSTRUCTIONS AND UTILITIES PRIOR TO CONSTRUCTION. COMPLETE REPAIR OF ANY AND ALL DAMAGES INCURRED SHALL BE AT THE EXPENSE OF THE CONTRACTOR.

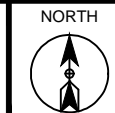
RIGHT OF WAY LINES WERE ESTABLISHED BY RESEARCH OF PUBLIC INFORMATION. NO BOUNDARY SURVEY OR PROPERTY LINE SURVEY WAS ESTABLISHED BY GOLDEN FIELD SERVICES, INC.. RIGHT OF WAY BOUNDARY MUST BE FIELD VERIFIED BY A REGISTERED PROFESSIONAL LAND SURVEYOR TO ACCURATELY VERIFY RIGHT OF WAY AND PROPERTY LINES PRIOR TO CONSTRUCTION.

!!! CAUTION !!!
PIPELINE SERVICE LINES
THRU THIS AREA HAVE NOT BEEN
IDENTIFIED NOR INDICATED.



CALL BEFORE YOU DIG
1-800-545-6005
48 HOURS NOTICE REQUIRED

HOUSTON, TX
HARRIS COUNTY



SEE SHEET 17 TO MATCH SURVEY STA. 64+05

PROJECT: 1706ANAY.003

HOUSTON, TX
MISSOURI CITY TO CABRERA RD

CLARIFICATION NO.	QUANTITY
PLACE HANDHOLE	1
PROP. 1-2" HDPE	414'
PULL 1-144F CABLE	744'
PLACE MARKER	1

MCI metro
ACCESS TRANSMISSION SERVICES CORPORATION
OUTSIDE PLANT CONSTRUCTION
TITLE: FIBER OPTIC ROUTE
MISSOURI CITY TO CABRERA RD
HOUSTON, TX

DATE: 8/21/18
ENGINEER: L. STALCUP
DRAWN BY: G.F.S. (JCV)

REVISIONS			
No.	DATE	DESCRIPTION	BY

EXCEPT AS MAY BE OTHERWISE PROVIDED BY CONTRACT, THESE DRAWINGS AND SPECIFICATIONS SHALL REMAIN THE PROPERTY OF MCI COMMUNICATIONS SERVICES INC. BOTH BEING ISSUED IN STRICT CONFIDENCE AND SHALL NOT BE REPRODUCED, COPIED, OR USED FOR ANY PURPOSE WITHOUT SPECIFIC WRITTEN PERMISSION.

SCALE
HORIZONTAL: 1" = 50'
VERTICAL: 1" = N/A
MP _____ TO MP _____
SHEET 18 OF 18
FILE: ECC-FBRBLD01018AC.LIN

!!! CAUTION !!!
PIPELINE SERVICE LINES
THRU THIS AREA HAVE NOT BEEN
IDENTIFIED NOR INDICATED.

UNDERGROUND UTILITIES HAVE BEEN PLOTTED FROM AVAILABLE RECORDS AND FIELD OBSERVATIONS BUT ARE NOT NECESSARILY EXACT. IT IS THE CONTRACTORS RESPONSIBILITY TO FIELD LOCATE ALL UNDERGROUND OBSTRUCTIONS AND UTILITIES PRIOR TO CONSTRUCTION. COMPLETE REPAIR OF ANY AND ALL DAMAGES INCURRED SHALL BE AT THE EXPENSE OF THE CONTRACTOR.

RIGHT OF WAY LINES WERE ESTABLISHED BY RESEARCH OF PUBLIC INFORMATION. NO BOUNDARY SURVEY OR PROPERTY LINE SURVEY WAS ESTABLISHED BY GOLDEN FIELD SERVICES, INC.. RIGHT OF WAY BOUNDARY MUST BE FIELD VERIFIED BY A REGISTERED PROFESSIONAL LAND SURVEYOR TO ACCURATELY VERIFY RIGHT OF WAY AND PROPERTY LINES PRIOR TO CONSTRUCTION.


CALL BEFORE YOU DIG
1-800-545-6005
8 HOURS NOTICE REQUIRED