

PO 132342

CHANGE ORDER

FORT BEND COUNTY ENGINEERING

Mailing: 301 Jackson St., Richmond, TX 77469
Physical Address: 301 Jackson St.
Richmond, Texas 77469

Phone: 281-633-7500

Fax: 281-342-7366

Web site: www.FortBendCountyTx.gov

Distribution:

- FBC Engineering
- FBC Judge
- FBC Purchasing
- Contractor
- Consultant

PROJECT:

Jeske Rd. Bridge Replacement Over Fairchild's Creek
Jeske Rd. Needville, TX 77461

CHANGE ORDER NUMBER: 1

DATE: 12 April 2016

PROJECT NUMBER: 16-028

CONTRACT FOR: Bridge Replacement

CONTRACT DATE: 8 November 2015

FBC PURCHASE ORDER NO. 132342

CONTRACTOR:

John Reed and Company, L.L.C.
9545 Katy Freeway Suite 325
Houston, Texas 77024

The contract is changed as follows:

An additional 68 LF of 36" Storm Sewer was requested by FBC. The cost breakdown is attached.

Not valid until signed by Fort Bend County and Contractor.

The Original (Contract Sum)	\$ 459,756.00
Net change by previously authorized Change orders	\$ 0.00
The (Contract Sum) Prior to this Change Order was	\$ 459,756.00
The (Contract Sum) will be increased by this Change Order in the amount of.....	\$ 6,236.96
The new (Contract Sum) including this Change Order will be	\$ 465,992.96

The Contract Time will be increased by 1 day

The Date of Substantial Completion as of this Change Order therefore is changed to 4 May 2016

Authorized:

Fort Bend County Engineering
Charles Dean, P.E.
301 Jackson
Richmond, Texas 77469

CONTRACTOR

Fort Bend County Judge
Honorable Robert E. Hebert
301 Jackson St., #719
Richmond, Texas 77469

By: *Charles Dean*
(signature)

By: *Paul Corbett*
(signature)

By: _____
(signature)

DATE: 4/14/16

DATE: 4/13/2016

DATE: _____

PURCHASE ORDER

Contractor:

John Reed & Company LLC
9545 Katy Freeway Suite 325
Houston, TX 77024
(713)785-8917 FAX(713)785-8918

Date January 15, 2016

Purchase Order No: P1090-009

Project Name Fort Bend Jeske Rd.
John Reed and Co Job No.: 1090
Br. Replacement Fairchl

Issued To:

ACT Pipe
8921 Frey Rd.
Houston, Texas 77034

Ft Bend County Bid: 16-028

Richard Greer
713/410-4134

Item	Quantity	Units	Item Number, Description and Specification	Unit Price	Extended Price
1	240.0	LF	36" HDPE Black Plastic Pipe	\$29.80	\$7,152.00
TOTAL					\$7,152.00

IMPORTANT TERMS:

1. Invoices will not be approved for payment until acceptance copy is executed and returned.
2. The project name and purchase order number must appear on all invoices and shipping papers.
3. All work and materials shall be performed in strict conformance with the plans and specifications as defined by the The Texas Department of Transportation and the City of Houston for this project. Purchase Order is based on award of contract by the Texas Transportation Commission.
4. Purchase Order includes mix designs for approval for fabrication.
5. FOB project site. Payment of invoices upon receipt of project payments from owner.
6. This is a tax exempt project.



ACT
 PIPE & SUPPLY
 CORPORATE OFFICE - HOUSTON, TEXAS
 (713) 937-0800 (800) 231-9808

Invoice Copy

INVOICE NUMBER 163051

REMITTANCE ONLY
 P.O. BOX 301282
 DALLAS TX 75303-1282

1
 03/04/16

2329
 JOHN REED & COMPANY, INC.
 4801 WOODWAY DR.
 SUITE 325 W.
 HOUSTON, TX 77056

SHOP
 SHOP ORDERS

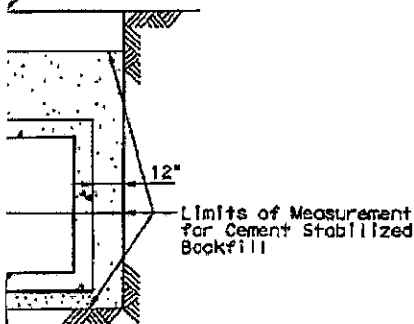
283

CUSTOMER P.O. NUM	SHIP DATE	SALES PERSON	TERMS	TAX CODE	DOC NO	W/H	FREIGHT	SHIP VIA
P1090-009	03/03/16	702	CASH IN ADVANCE NOTAX		184113	10		OUR TRUCK
ITEM	DESCRIPTION	ORDERED	SHIPPED	BACK ORDER	U/M	PRICE	PER	EXTENSION
502753600	36" DUAL WALL SOIL-T AA-M294 PIPE 20 FT LENGTH	240.00	240.00		FT	29.80	FT	7152.00
0223965	LUBRICANT - GALLON	2.00	2.00		EA	.00	EA	.00
PAID \$7,152.00 on 01/27/16 VISA APPR# 03081G FOR YOUR RECORDS ALL CASH SALES FINAL <i>36" pipe Mat'l \$29.80/LF</i>								
INVOICES PAYABLE IN HOUSTON, HARRIS COUNTY TEXAS. PAST DUE ACCOUNTS SUBJECT TO SERVICE CHARGE OF 1.5% PER MONTH AND TERMS ON REVERSE HERETO. ACCEPTANCE OF GOODS CONSTITUTES AN AGREEMENT BY BUYER OF ALL TERMS HEREIN.		MERCHANDISE	MISCELLANEOUS	DISCOUNT	TAX	FREIGHT	TOTAL DUE	
		7152.00	.0	.0	.00	.00	7152.00	

THIS TRANSACTION IS GOVERNED BY ACT PIPE & SUPPLY, INC. AND/OR ACT FABRICATION, INC.'S STANDARD CONDITIONS OF SALE AVAILABLE AT www.actpipe.com

COPY OF ORIGINAL

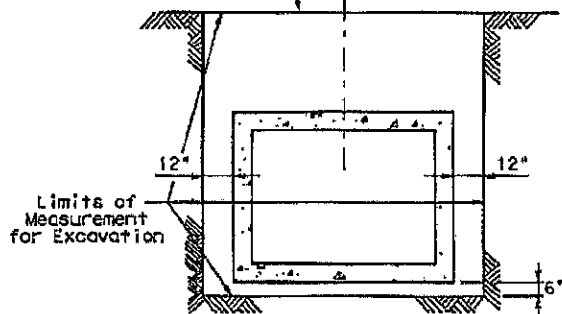
Box Sewer or Box Culvert
Bottom of Subgrade



DETAIL

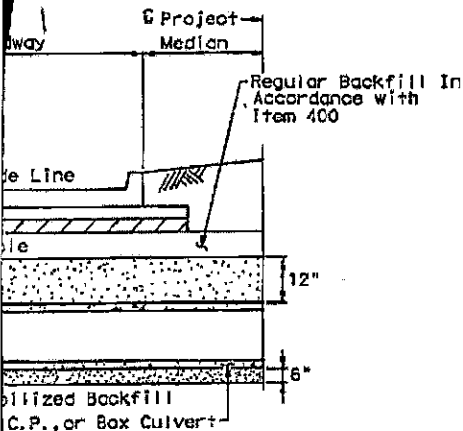
CULVERTS
PAVED AREA
DETOURS *

Natural Ground, Finished Grade, or Subgrade Whichever Requires Least Excavation



EXCAVATION DETAIL

BOX CULVERTS
IN A GRADED AREA



DETAIL

FOR JUNCTION BOX

REINFORCED CONCRETE PIPE

EXCAVATION AND BACKFILL QUANTITIES

PIPE DIA. IN.	T FT.	CULVERT OR SEWER EXCAVATION IN A PAVED OR GRADED AREA	CEMENT STABILIZED BACKFILL IN A PAVED OR GRADED AREA
		C. Y. PER L. F. PER FT. OF DEPTH	C. Y. PER L. F. OF PIPE
18	0.19	0.144	0.383
24	0.23	0.165	0.478
30	0.29	0.188	0.586
36	0.33	0.210	0.692
42	0.38	0.231	0.808
48	0.42	0.252	0.924
54	0.46	0.273	1.040
60	0.50	0.294	1.156
66	0.54	0.315	1.272
72	0.58	0.336	1.388
78	0.62	0.357	1.504
84	0.67	0.378	1.620

$68 \text{ LF} \times 0.692 \frac{\text{CY}}{\text{LF}} = 47.056 \text{ cy}$

MONOLITHIC PIPE

EXCAVATION QUANTITIES

PIPE DIA. IN.	T FT.	EXCAVATION
		C. Y. PER L. F. PER FT. OF DEPTH
36	0.417	0.142
42	0.458	0.164
48	0.458	0.182
54	0.500	0.204
60	0.583	0.228
66	0.583	0.247
72	0.625	0.269
78	0.625	0.287
84	0.625	0.306

NOTE:

Cement stabilized backfill may be omitted in private driveways as indicated elsewhere in the plans.

Rubber gaskets shall be required for all joints on proposed cross drainage, pipe culverts and proposed storm sewer systems, unless otherwise shown in the plans.

* Backfill with cement stabilized material will be required for all structures under detours unless noted otherwise in the General Notes.

SHEET 1 OF 2

Texas Department of Transportation
Houston District

**EXCAVATION AND BACKFILL
DIAGRAMS**

E&BD

D = Depth
H = Height
T = Thickness
R = Radius
Dia = Diameter

FILED	SFDEI.DGN	DRW TXDOT	DES TXDOT	CHK TXDOT	APP TXDOT
© TXDOT	FEB 2010	DIST	FED RD	PROJECT NO.	SHEET
REVISED 11/08	REVISIONS	HOUSTON	6	BR 2013 (735), ETC	107
REVISED 2/2010	Added note to Table 1, Shit 2 of 2.	COUNTY	CONTROL SECT	ASS	ALIGNWAY
REVISED 4/12		FT. BEND	0912	34	17 1/2 CR, ETC

Davis, DeWayne

From: Wieghat, Scott
Sent: Tuesday, April 12, 2016 2:30 PM
To: Paul Colquitt; Peterson, Jillian
Cc: Davis, DeWayne
Subject: RE: Jeske Rd. Change Order #1

I approve the change order.

From: Paul Colquitt [<mailto:paul@jrcltd.net>]
Sent: Tuesday, April 12, 2016 1:36 PM
To: Peterson, Jillian
Cc: Davis, DeWayne; Wieghat, Scott
Subject: Jeske Rd. Change Order #1

Jillian and DeWayne,

Attached is change order #1 for Jeske for the additional 36" pipe. Please let me know if I need to correct anything or y'all have any questions.

Thanks!

Paul Colquitt

John Reed and Company LLC
9545 Katy Freeway #325
Houston, TX 77024

(o.) (713) 785-8917 (fax) (713) 785-8918 (c.) (832) 474-0695

John Reed and Company, Ltd.
9545 Katy Freeway Suite 325
Houston, Texas 77024
(713) 785-8917(o)
(713) 785-8918 (f)

12 April 2016

Subject: Fort Bend County Jeske Rd. Bridge Replacement over Fairchilds Creek

Change Order #1 Cost Breakdown: 68LF of 36" Storm Pipe

To: Fort Bend County Engineering/Fort Bend County Road and Bridge

Attention: DeWayne Davis, Scott Wieghat, and Jillian Peterson

An additional 68 LF of 36" Storm Sewer was installed at the abovementioned project. The pipe itself was provided by Fort Bend County. The change order associated with this deviation from the plans is as follows:

Item #20 36" Storm Pipe Unit Price = \$80.00/LF
Less: Pipe Provided by FBC (at \$29.80/LF) = \$29.80/LF
[Q=68LF] 36" Pipe Installation = \$50.20/LF
Subtotal = \$3416.60

Item #11 Cement Stabilized Backfill Unit Price = \$60.00/CY
Q Added = 68LF X 0.692CY/LF = 47.056CY (additional cement stabilized sand)
Subtotal = \$2823.36

Change Order #1 Total = \$6236.96

Thank you,



Paul Colquitt
John Reed and Company Ltd.

CERTIFICATE OF INTERESTED PARTIES

FORM 1295

1 of 1

Complete Nos. 1 - 4 and 6 if there are interested parties.
Complete Nos. 1, 2, 3, 5, and 6 if there are no interested parties.

OFFICE USE ONLY CERTIFICATION OF FILING

Certificate Number:
2016-41816

Date Filed:
04/19/2016

Date Acknowledged:

1 Name of business entity filing form, and the city, state and country of the business entity's place of business.

John Reed and Company, LLC.
Houston, TX United States

2 Name of governmental entity or state agency that is a party to the contract for which the form is being filed.

Fort Bend County

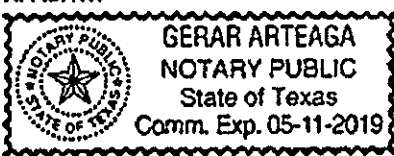
3 Provide the identification number used by the governmental entity or state agency to track or identify the contract, and provide a description of the goods or services to be provided under the contract.

16-028
Jeske Rd. Bridge over Fairchilds Creek

4	Name of Interested Party	City, State, Country (place of business)	Nature of interest (check applicable)	
			Controlling	Intermediary

5 Check only if there is NO interested party.

6 AFFIDAVIT



I swear, or affirm, under penalty of perjury, that the above disclosure is true and correct.

Paul Colquitt

Signature of authorized agent of contracting business entity

AFFIX NOTARY STAMP / SEAL ABOVE

Sworn to and subscribed before me, by the said PAUL COLQUITT, this the 20th day of April, 2016, to certify which, witness my hand and seal of office.

[Signature]

Signature of officer administering oath

Gerar Arteaga

Printed name of officer administering oath

Banker

Title of officer administering oath