

REVIEW BY FORT BEND COUNTY COMMISSIONERS COURT

On this 5th day of April, 2016, Commissioners Court came on to be heard and reviewed the accompanying notice of Jier LLC / Comcast of Houston, LLC
Job Location 15700 Old Richmond Rd, Sugar Land, TX 77498
Date 3/14/2016 Bond No. 104865058, Permit No. 2016-6050 to make use of certain Fort Bend County property subject to, "A Revised Order Regulating the Laying, Construction, Maintenance, and Repair of Buried Cables, Conduits, and Pole Lines, In, Under, Across or Along Roads, Streets, Highways, and Drainage Ditches in Fort Bend County, Texas, Under the Jurisdiction of the Commissioners Court of Fort Bend County, Texas," as passed by the Commissioners Court of Fort Bend County, Texas the 3rd day of August, 1987, recorded in Volume _____ of the Minutes of the Commissioners Court of Fort Bend County, Texas, to the extent that such order is not inconsistent with Article 1436a, Vernon's Texas Civil Statutes. Upon Motion of Commissioner _____, seconded by Commissioner _____, duly put and carried, it is ORDERED, ADJUDGED AND DECREED that said notice of said above purpose is hereby acknowledged by the Commissioners Court of Fort Bend County, Texas, and that said notice be placed on record according to the regulation order thereof.

Notes:

1. Evidence of review by the Commissioners Court must be kept on the job site and failure to do so constitutes grounds for job shutdown.
2. Written notices are required:
 - a. 48 hours in advance of construction start up, and
 - b. when construction is completed and ready for final inspectionMail notices to: Permit Administrator
Fort Bend County Engineering
301 Jackson Street
Richmond, Texas 77469
281-633-7500
3. This permit expires one (1) year from date of permit if construction has not commenced.

By: Charles O. Gray
for County Engineer

Presented to Commissioners Court and approved.
Recorded in Volume _____

By: N/A
Drainage District Engineer/Manager

Minutes of Commissioners Court

Clerk of Commissioners Court

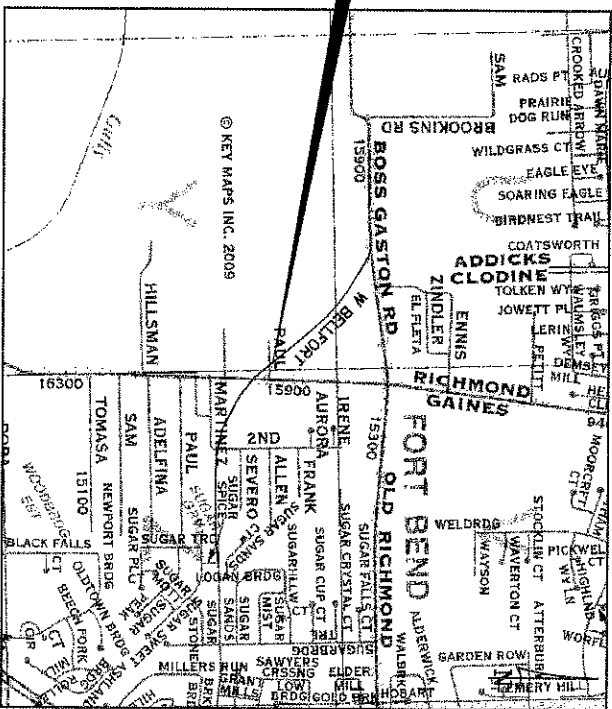
By: _____
Deputy

1	SHEET INDEX
2	COVER SHEET
3	PLAN AND SECTION SHEET
	TRAFFIC CONTROL PLAN



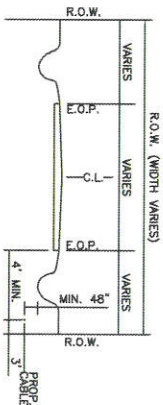
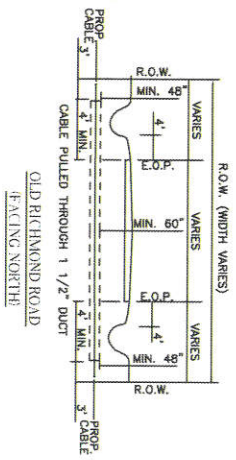
PROPOSED CONDUIT ALONG OLD RICHMOND ROAD
 NORTH OF W BELLFORT BLVD. FOR APPROXIMATELY 229 FEET.

PROJECT
 LOCATION



VICINITY MAP
 KEY MAP NO. 527-Z

NOTE: CONTRACTOR SHALL BORE ALL DRIVEWAYS.



NOTES :

1. THE CONTRACTOR SHALL CONTACT TEXAS ONE CALL SYSTEM AT 1-800-245-4545 MIN. 48 HOURS BEFORE DIGGING.
2. THE CONTRACTOR SHALL DETERMINE THE EXACT LOCATION OF ALL UNDERGROUND FACILITIES BEFORE COMMENCING WORK AND AGREE TO BE FULLY RESPONSIBLE FOR ALL DAMAGES CAUSED BY HIS FAILURE TO EXACTLY LOCATE AND PRESERVE ALL UNDERGROUND FACILITIES.
3. NO MORE TRENCH OPENED AT ONE TIME THAN CAN BE BACKFILLED AND COMPACTED IN 10' LIFTS AT THE END OF EACH DAY. (NO TRENCH LEFT OPENED OVERNIGHT)
4. ALL EXCESS EXCAVATION TO BE REMOVED FROM THE ROAD RIGHT-OF-WAY AT THE END OF EACH DAY.
5. DITCHES TO BE OPENED AT THE END OF EACH DAY TO ASSURE ADEQUATE DRAINAGE.
6. ROAD MUST BE KEPT OPEN TO TRAFFIC AND CONTRACTOR MUST PROVIDE ADEQUATE FLAGMEN, SIGNALS, ETC., TO PROVIDE COMPLETE SAFETY TO THE PUBLIC.
7. IF IT BECOMES NECESSARY FOR EQUIPMENT TO OPERATE ON A PORTION OF THE PAVEMENT, PRECAUTIONS MUST BE TAKEN TO PREVENT ANY DAMAGE WHATSOEVER TO THE PAVEMENT.
8. CONDITION OF ROAD UPON COMPLETION OF JOB SHALL BE AS GOOD OR BETTER THAN PRIOR TO STARTING.
9. CONTRACTOR SHALL COMPLY WITH ALL APPLICABLE NATIONAL ELECTRICAL SAFETY CODE (NECS) REQUIREMENTS, CENTERPOINT ENERGY ELECTRIC POLE ATTACHMENT GUIDELINES & PROCEDURES AND ALL APPLICABLE LOCAL REQUIREMENTS AND REGULATIONS FOR PLACEMENT OF AERIAL CABLE FACILITIES. 18' MIN. VERTICAL CLEARANCE

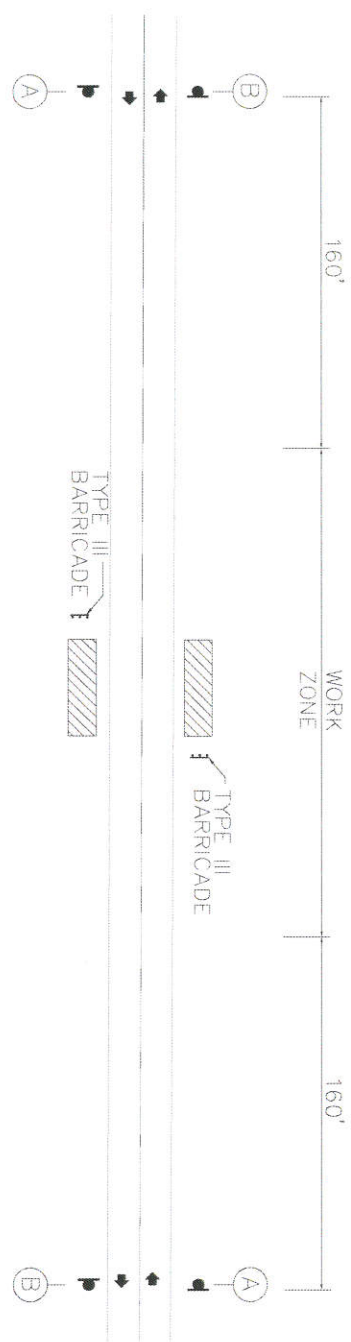
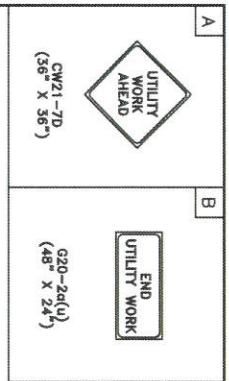


Comcast
7033 AIRPORT BLVD.
HOUSTON, TX 77061-3912

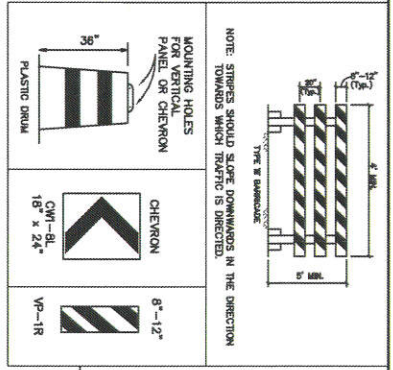
COMCAST SHALL INSTALL A 1-2" CONDUIT FROM AN EXISTING POLE ON THE EAST SIDE OF OLD RICHMOND ROAD LOCATED APPROX. 450' NORTH OF CL W BELFORT. EXTENDING ALONG OLD RICHMOND RD FOR A TOTAL DISTANCE OF 229' LF.

OLD RICHMOND ROAD AT W BELFORT

DESIGNED BY: JER. LJC
DRAWN BY: WKC
DATE: 02/09/2016
KEY MAP NO. 527-Z
SCALE: NTS



OLD RICHMOND ROAD
(35 MPH)



NOTE: STRIPES SHOULD SLOPE DOWNWARDS IN THE DIRECTION TOWARDS WHICH TRAFFIC IS DIRECTED.

- ROUNDING HOLES FOR VERTICAL PANEL OR CHEVRON
- CHEVRON CWI-BL 18" x 24"
- 8'-12" VP-1R
- PLASTIC DRUM



Key Map #527-Z

SPECIAL TRAFFIC REQUIREMENTS

1. Contractor shall provide and install traffic control devices in conformance with part V of the Texas Manual on Uniform Traffic Control Devices (Texas MUTCD, most recent edition with revisions) during construction.
2. No lanes shall be closed during the hours of 7:00 AM to 8:00 AM and 4:00 PM to 8:30 PM Monday thru Friday.
3. Approved Police Officer is required to direct traffic when lanes are blocked.
4. Contractor shall cover open moment excavations with anchored steel plates during non-working hours, and open lanes for normal traffic flow, if covering is not feasible, use Texas FR 336 EX 36" deflector or approved equal with sheeting and base spotted to pavement next to excavation during non-working hours.
5. Approved Police Officer, Traffic Control Plans and lane closure permits shall be available for inspection at job site at all times.
6. If the contractor chooses to use a different method of "Traffic Control Plans" during the construction than what is outlined in the contract drawings, they shall be responsible to prepare and submit an alternate set of plans to Harris County Traffic Section for approval ten working days prior to the start of construction. These plans shall be drawn to scale on reproducible mylar and sealed by a Licensed Engineer in the State of Texas. Plans will become a part of the contract drawings.
7. If the project is within 400 feet from a signalized intersection, the contractor shall contact Harris County Traffic Section for approval of signalized intersection, at 713-881-3210 (weekdays) working days prior to the start of construction.

LEGEND

- PLASTIC DRUM (see spacing for channelizing devices)
- OFF-DUTY UNIFORMED POLICE OFFICER
- ▨ TYPE III BARRICADE
- ▧ FLASHING ARROW PANEL

Jier, LLC

Professional Engineer
 DOUG KRAUSE
 85493
 STATE OF TEXAS
 LICENSED PROFESSIONAL ENGINEER

Doug Krause 03/09/16

TRAFFIC CONTROL PLAN
 OLD RICHMOND ROAD
 (TYPICAL)

SHEET NO. 1 OF 3
 SCALE: N.T.S.